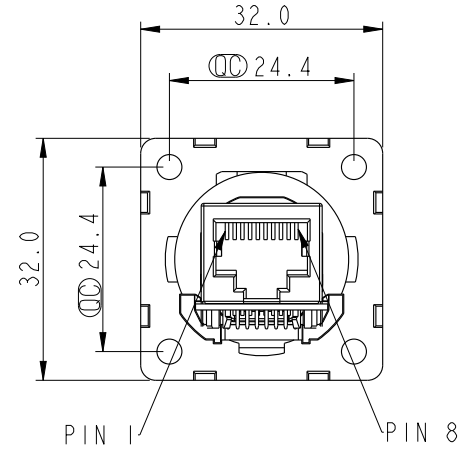
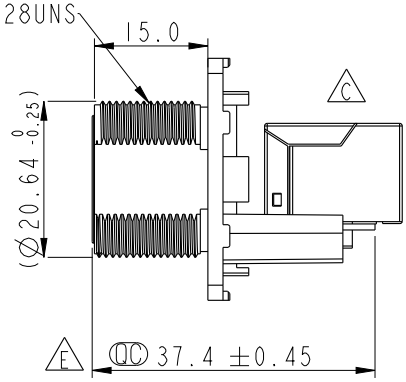
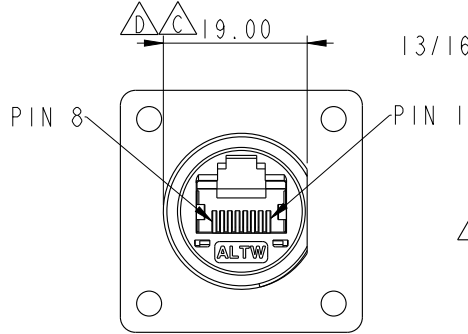
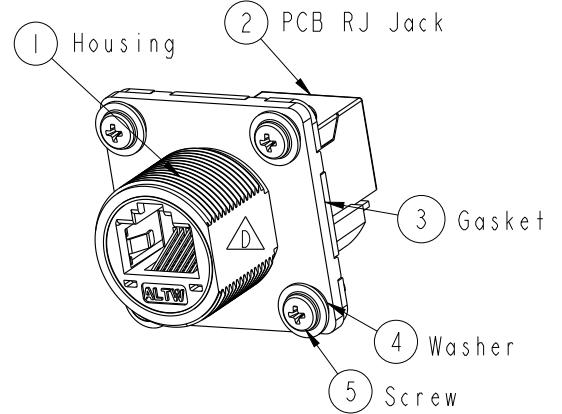
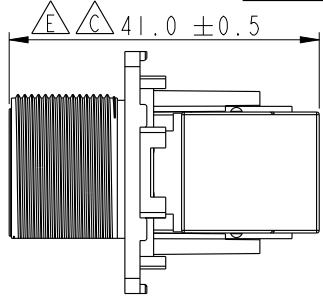
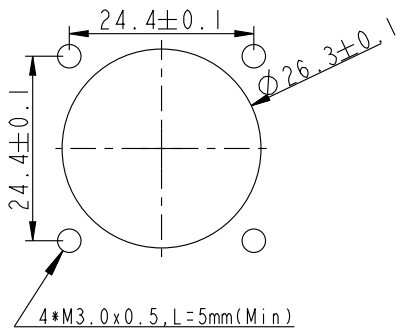


REV.	ECN NO.	DATE	SIGN	DESCRIPTION
C	LE313A0313	2013-09-07	Raison	Modify Jack, Note, Screw, H Cut
D	LE31480161	2014-07-14	Tom	Change D Cut, Gasket
E	LEN1810067	2017-11-28	Jalam	Change The Tolerance

**ALTW**  
**CONFIDENTIAL**  
**2017-11-28**  
**R&D DEPT.**



Recommended Panel Cut-out



**ALTW**  
DCC. DEPT.  
**CONFIDENTIAL**  
**2018.01.10**  
**ISSUED**

Note:

- \*  $\text{CC}$  Important Dimension
- \* Waterproof Rate : IP67 Mated
- \* Housing : Nylon+GF, BLACK
- \* Screw : S. STEEL, M3\*0.5 L=8.0
- \* Gasket : Silicone, Gray.
- \* PCB: FR-4
- \* Jack : PBT Polyester
- \* Screw torsion value range: 3~3.5kgf-cm
- \* Temperature Range: -40°C to 105°C

UNIT : mm		
TOLERANCE	.X ±0.25	
.XX ±0.1		
.XXX ±0.05		
ANGLES	±1°	

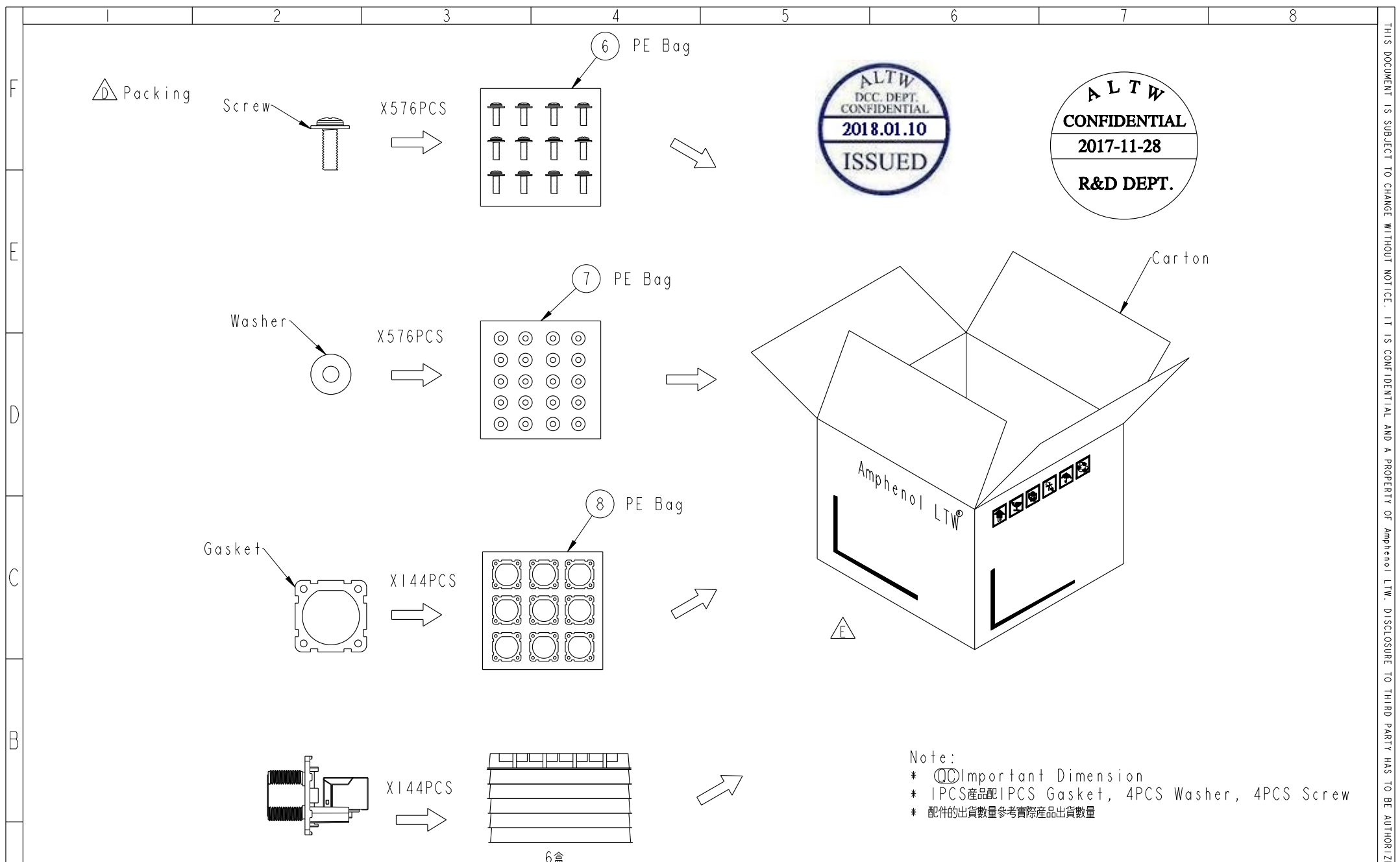
TITLE RJ45,C SIZE,MATED WATERPROOF SQUARE			
SCALE 1:1	SIZE A4	SHEET 1 OF 2	
REV. E	WC-REV. C.4	CC: Inspection item	

**Amphenol LTW**  
**安費諾亮泰企業股份有限公司**

ITEM NO RCP-5SPFFH-SSM7001	DRAWN BY Jalam	DATE 2017-11-28
DWG NO RCP-5SPFFH-SSM7001	CHECKED BY Feng-Li	DATE 2017-11-28
CUSTOMER ALTW	APPROVED BY Jerry	DATE 2017-11-28

THIS DOCUMENT IS SUBJECT TO CHANGE WITHOUT NOTICE. IT IS CONFIDENTIAL AND A PROPERTY OF AMPHENOL LTW. DISCLOSURE TO THIRD PARTY HAS TO BE AUTHORIZED BY AMPHENOL LTW.

THIS DOCUMENT IS SUBJECT TO CHANGE WITHOUT NOTICE. IT IS CONFIDENTIAL AND A PROPERTY OF Amphenol LTW. DISCLOSURE TO THIRD PARTY HAS TO BE AUTHORIZED BY Amphenol LTW.



Note:  
 \* Important Dimension  
 \* IPCS產品配IPCS Gasket, 4PCS Washer, 4PCS Screw  
 \* 配件的出貨數量參考實際產品出貨數量

UNIT: mm		TITLE		Amphenol LTW	ITEM NO	DRAWN BY	DATE
		RJ45, C SIZE, MATED WATERPROOF SQUARE			RCP-5SPFFH-SSM7001	Jalam	2017-11-28
TOLERANCE		SCALE	SIZE	SHEET	DWG NO	CHECKED BY	DATE
.X	±0.25	1:1	A4	2 OF 2	RCP-5SPFFH-SSM7001	Feng_Li	2017-11-28
.XX	±0.1	REV.	WC-REV.		CUSTOMER	APPROVED BY	DATE
.XXX	±0.05	E	C.4	: Inspection item	ALTW	Jerry	2017-11-28
ANGLES	±1°						