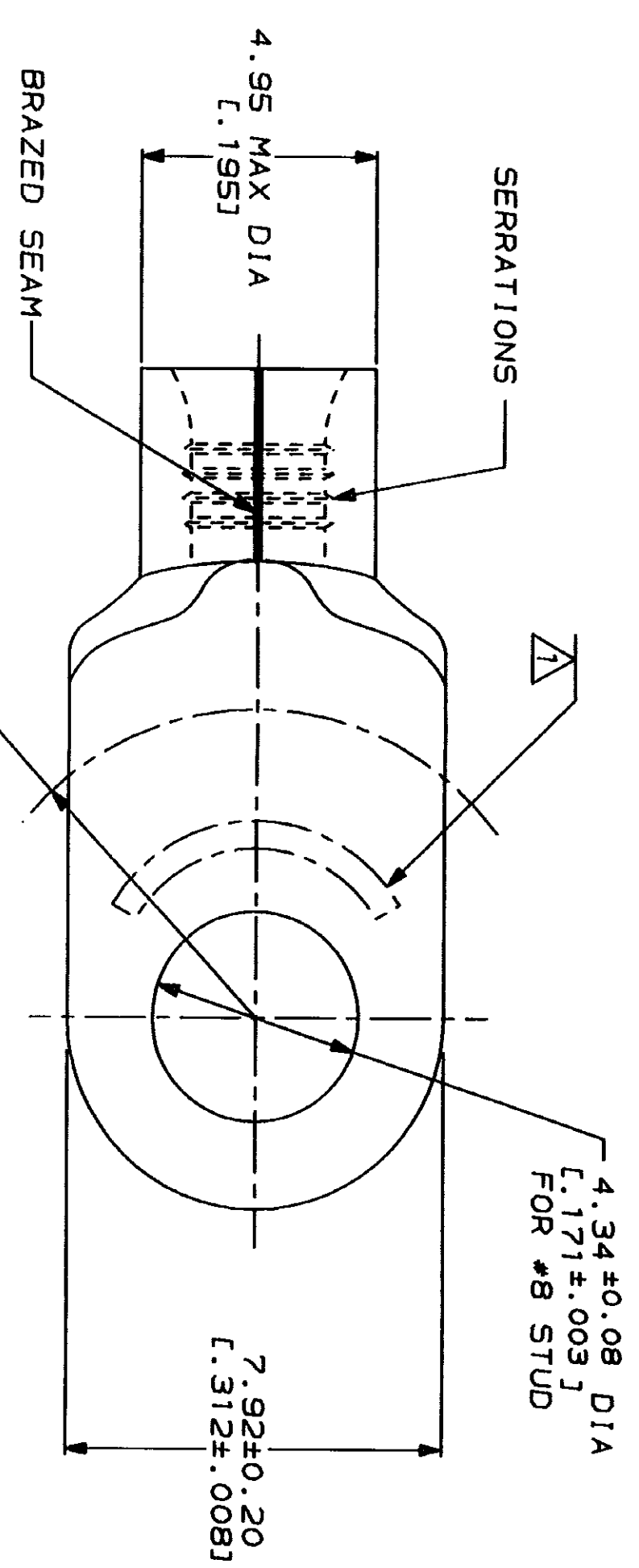


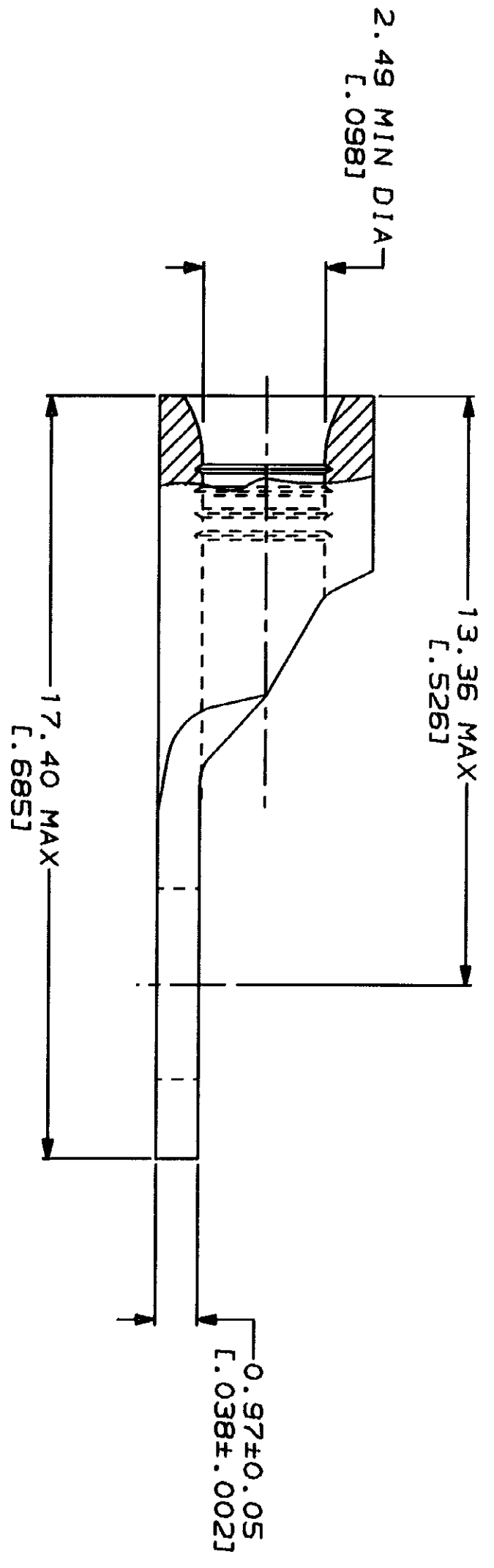
LOC	DIST	ZONE	LTR	REVISIONS	DESCRIPTION	DATE	APPD
G	14			REVISED PER 0720-0033-94		3/8/94	JL

**METRIC**  
 DIMENSIONS LISTED IN MM [ INCHES ]



<b>AMP</b> WIRE RANGE	<b>UL</b> E13288 Listed
14-12 AWG SOLID OR STRANDED	14-12 AWG STRANDED
<b>LR7189</b> Certified	MILITARY P/N AND CLASS
14-12 AWG SOLID OR STRANDED	NOT APPLICABLE

△ STAMP AMP 14-12\* APPROX AS SHOWN



AMP INCORPORATED  
 CUSTOMER SERVICE SYSTEMS

FOR ADDITIONAL PRODUCT INFORMATION OR COPIES OF DRAWINGS AND TECHNICAL DOCUMENTS	PRODUCT INFORMATION CENTER 1-800-522-6752	MAX RECOMMENDED OPERATING TEMPERATURE: 170°C MAX
FOR APPLICATION TOOLING INFORMATION	TOOLING ASSISTANCE CENTER 1-800-722-1111	VOLTAGE RATING: NOT APPLICABLE
FOR ORDER ENTRY	1-800-526-5142	WIRE CROSS SECTIONAL AREA RANGE: 1.65-4.17mm² [3,260-9,230] CIR MILS SOLID OR STRANDED

DO NOT SCALE PRINT.  
 UNLESS SPECIFIED  
 DIMENSIONS IN mm (INCHES)  
 TOLERANCES ON:  
 1. DIMENSIONS IN mm  
 2. PLG DEC ± .05  
 3. ANGLES ± .5°  
 MATERIAL  
 COPPER PER  
 ASTM B-152  
 ANNEALED  
 FINISH  
 TIN PLATE  
 0.00254 [L.000100] MIN  
 THK PER MIL-T-10727

DR 3/8/94 DK SCHRUM	DR 3/8/94 DK SCHRUM	DR 3/8/94 DK SCHRUM
CHK 3/9/94 DA PATTERSON	CHK 3/9/94 DA PATTERSON	CHK 3/9/94 DA PATTERSON
APPD 3/9/94 CH KILWYCH	APPD 3/9/94 CH KILWYCH	APPD 3/9/94 CH KILWYCH
APPD 3/9/94 JL NECKLEY	APPD 3/9/94 JL NECKLEY	APPD 3/9/94 JL NECKLEY
PRODUCT SPEC	PRODUCT SPEC	PRODUCT SPEC
APPLICATION SPEC	APPLICATION SPEC	APPLICATION SPEC
WEIGHT	WEIGHT	WEIGHT

**AMP**  
 AMP Incorporated  
 Harrisburg, PA 17105-3608

OBSOLETE	2500	ON TAPE	1-321827-0
QUANTITY	---	LOOSE PIECE	321827
PACKAGING TYPE		PART NO	
NAME	TERMINAL, RING TONGUE, SOLISTRAND™		
SCALE	8:1	CAGE CODE	00779
SCALE	8:1	DRAWING NO	321827
SHEET	1 OF 1		