

8

7

6

5

4

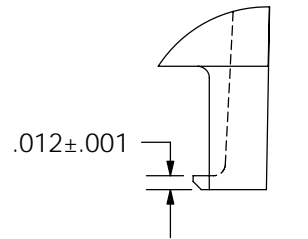
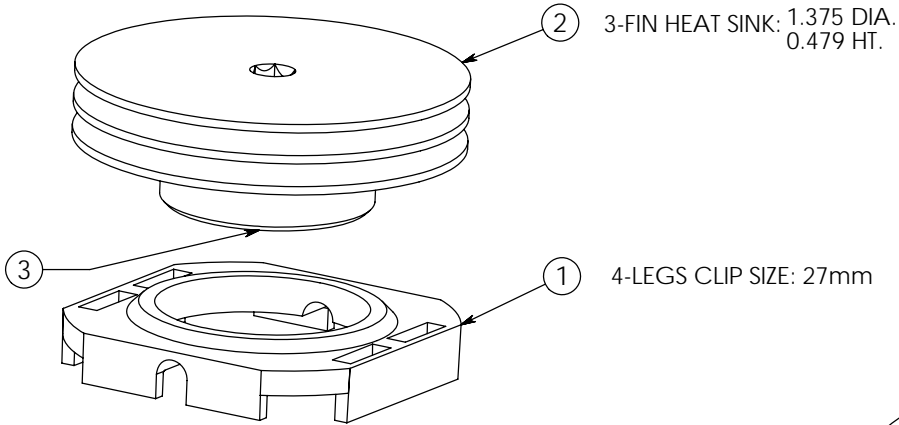
3

2

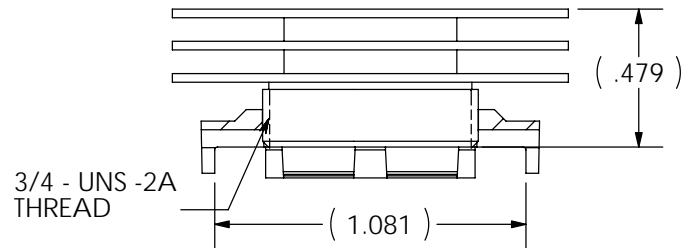
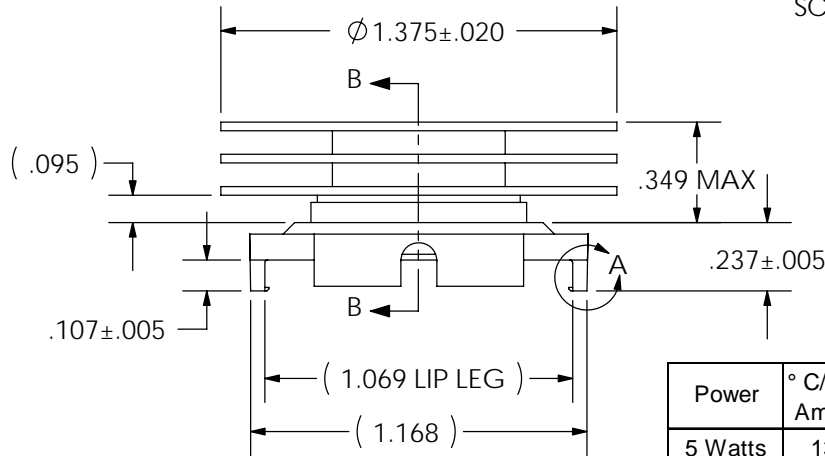
1

REVISION(S)

LTR	DESCRIPTION	INIT	APP'D
O	ECN: 0S60-0040-04	E.T 2/16/04	B.P 2/16/04
A	ECR-06-014978	E.T 6/28/06	V.K 6/30/06



DETAIL A  
SCALE= 6X



SECTION B-B

Power	° C/W @ Ambient	° C/W @ 200 LFM	° C/W @ 400 LFM	° C/W @ 600 LFM
5 Watts	13.25	6.13	4.35	3.14
10 Watts	11.82	6.04	3.99	2.93
15 Watts	10.75	5.89	3.96	2.99

CUSTOMER DRAWING

SPECIFICATIONS ARE SUBJECT TO CHANGE WITHOUT NOTICE

ITEM	DESCRIPTION	QTY
1	MOUNTING CLIP	1
2	HEAT SINK	1
3	INTERFACE	1

**tyco** / Electronics  
Attleboro Falls Massachusetts 02763

UNLESS OTHERWISE SPECIFIED TOLERANCES ARE:  
.XX ±  
.XXX ±  
.XXXX ±  
ANGLES ± °

DO NOT SCALE

DRAWN BY: E.TAO      DATE: 02/16/04

ENGINEER: B.P      DATE: 2/23/04

FILENAME:      PROJECT:      SYSTEM:

MATERIAL: SEE NOTE

FINISH: SEE NOTE

CONFIDENTIAL PROPERTY OF TYCO ELECTRONICS. NOT TO BE DISCLOSED TO OTHERS. REPRODUCED OR USED FOR ANY PURPOSES EXCEPT AS AUTHORIZED IN WRITING BY AN AUTHORIZED OFFICIAL OF TYCO. MUST BE RETURNED TO TYCO ON DEMAND, ON COMPLETION OF ORDERS OR OTHER PURPOSES FOR WHICH LENT.

TITLE:  
**27mm LOW PROFILE HEATSINK ASSEMBLY (HTS609-U)**

DIMENSIONS ARE IN: INCHES      SCALE: 1.5:1      PART NO: 6-1542003-1      SHEET: 1 OF 1

SIZE: A      DWG. NO. C-6-1542003-1      REV: A

THIRD ANGLE PROJECTION

8

7