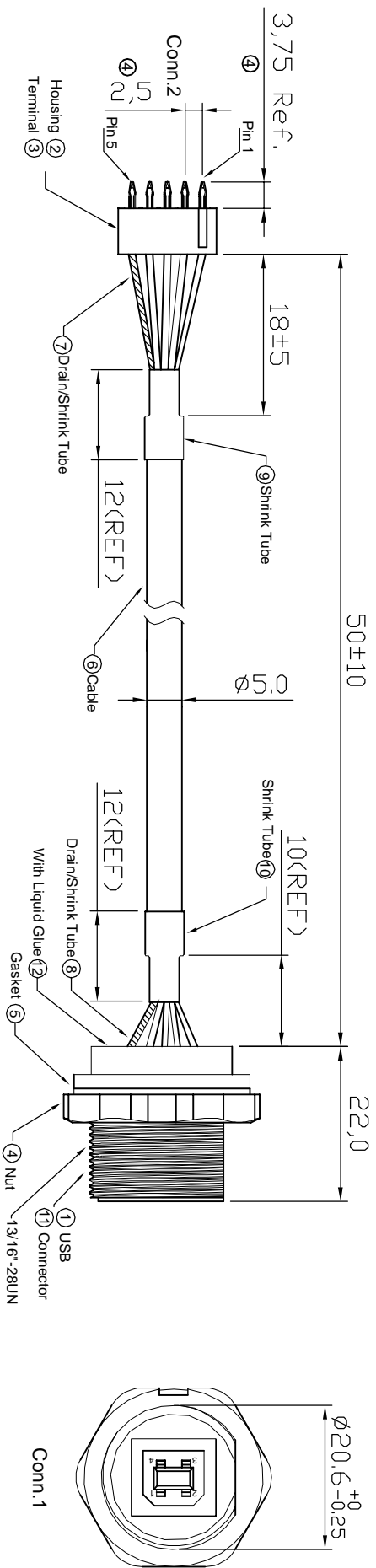


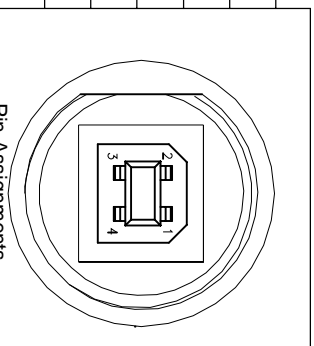
# USB 2.0 COMPLIANT

## Waterproof Rate: IP67

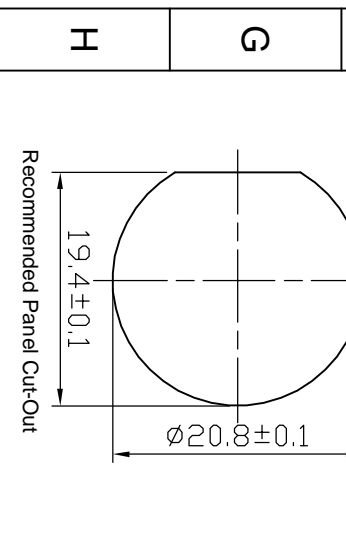


**Note:**  
 1. Connector: ABS 94V-0. Black  
 2. USB: USB B Type, Female TIP  
 3. Housing: 25020101-05  
 4. Cable: USB2.0 28AWGx1P+  
 24AWGx2C+AL.My+D+B UV Resistant,  
 Black, OD=5.0mm

5	Drain(28AWG)	Shelled
4	Black(24AWG)	4
3	Green(28AWG)	3
2	White(28AWG)	2
1	Red(24AWG)	1



**RoHS compliant**



Scale	Free	⑥ Add USB 2.0 compliant	27.08.2012	Ray		Date	Name
TOLERANCE	±0.5	⑤ Add PCB layout and Pin detail	16.07.2012	Lucas	Drawn	20.08.2004	Hellwig
		④ Dimension add in	11.07.2012	Lucas	Approved	16.07.2012	Joanna
		③ Modify drawing	07.07.2009	Dean			
		② Update	22.09.2008	N.Schulz			
		① Drawn	20.08.2004	Hellwig			
		Id.		Modification			

Customer-No.	ASSMANN WSW-No.	A-USB-BPFS
Drawing-No.	ASSMANN WSW-No.	ASS 1576A CA
Replace	rev06	rev06
Sheet	1/1	

1	2	3	4	5	6	7
---	---	---	---	---	---	---