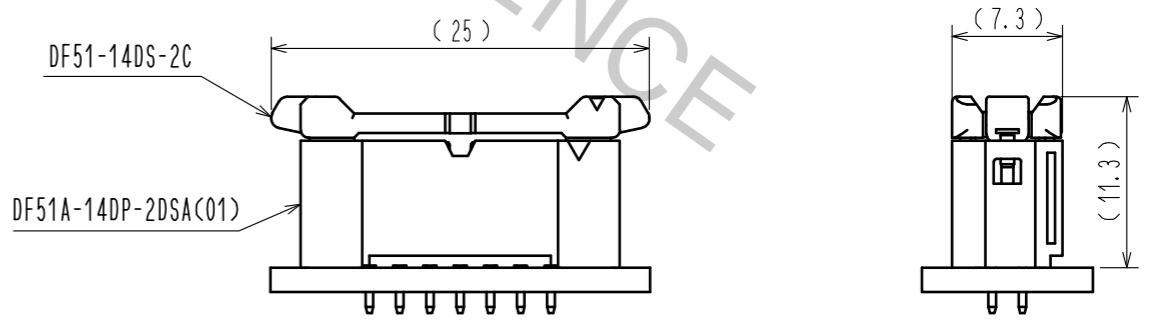
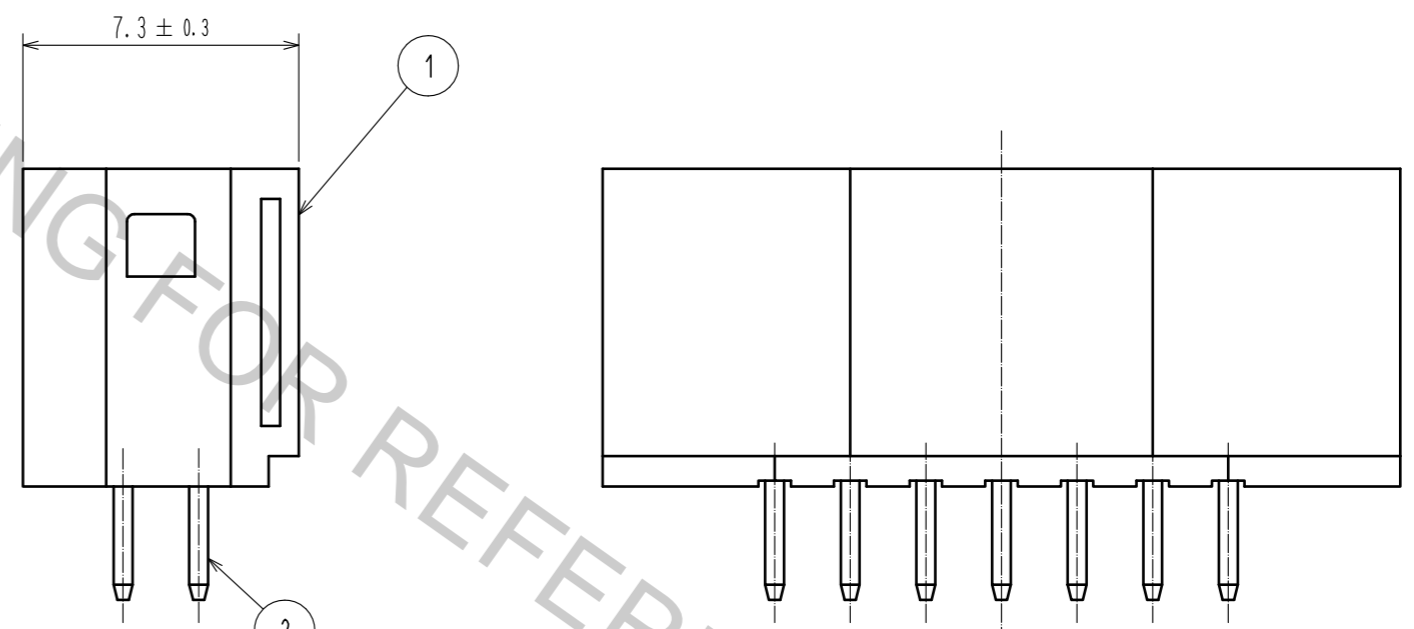
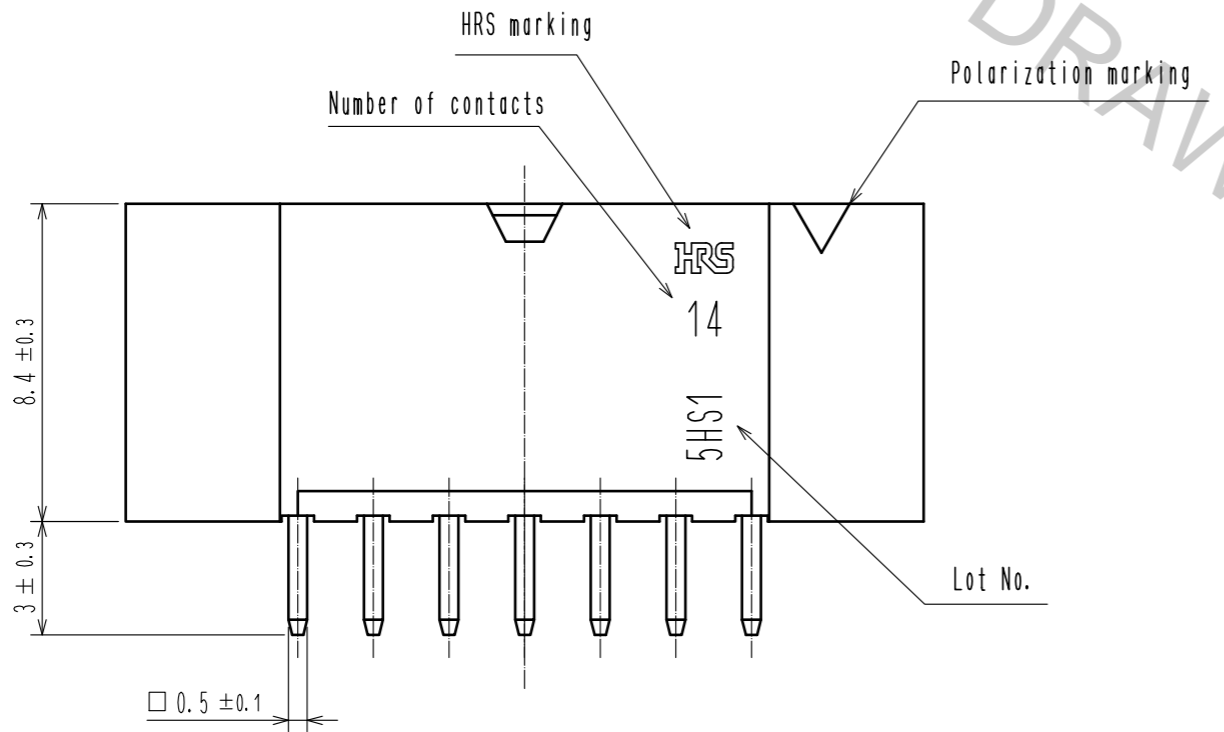
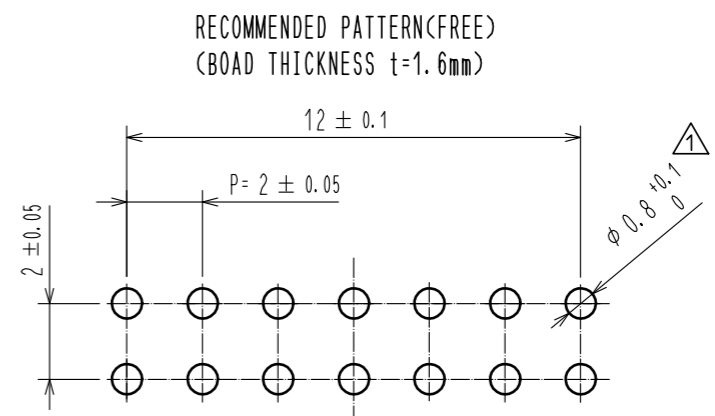
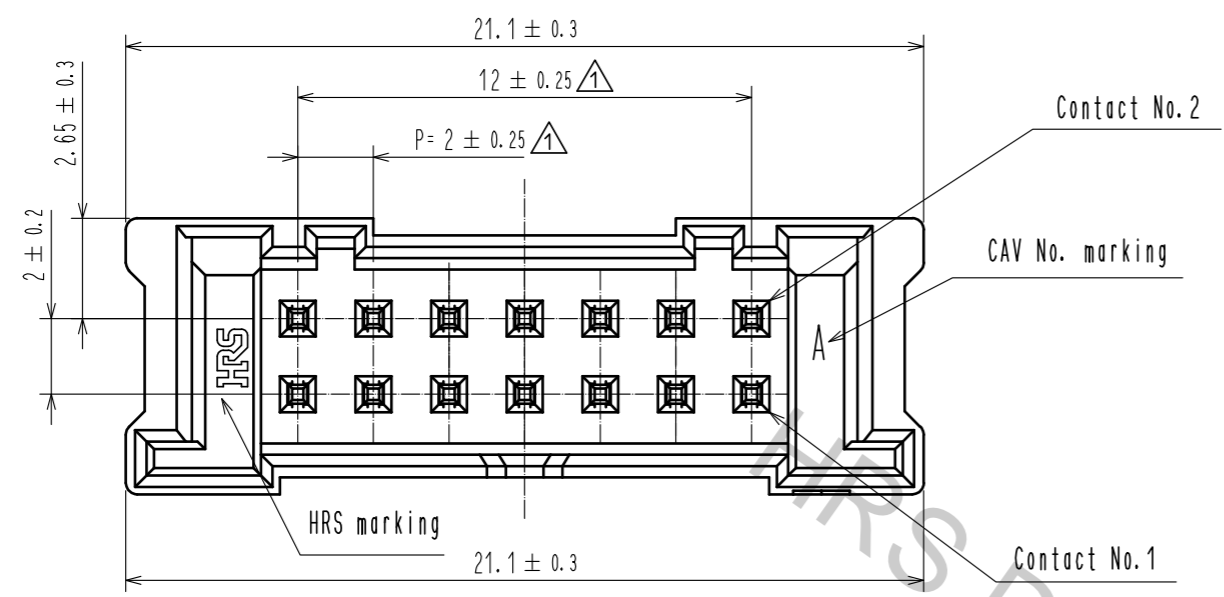


Aug.1.2018 Copyright 2018 HIROSE ELECTRIC CO., LTD. All Rights Reserved.
 In case that the application demands a high level of reliability, such as automotive,
 please contact a company representative for further information.



Note 1. Per pack : 100 Pieces.
 2. The dimension parenthesis are for reference.

1	PBT	UL94V-0, BLACK	2	BRASS	SURFACE: Au PLATING 0.1 μ m MIN UNDER PLATING: NICKEL PLATING 0.5 μ m MIN
NO.	MATERIAL	FINISH . REMARKS	NO.	MATERIAL	FINISH . REMARKS
UNITS mm		SCALE 5 : 1	COUNT 3	DESCRIPTION OF REVISIONS DIS-H-00002733	DESIGNED TT. OHSAKO
		APPROVED : HS. OKAWA	16. 11. 10	DRAWING NO.	EDC-363508-01-00
HIROSE ELECTRIC CO., LTD.		CHECKED : HS. OKAWA	16. 11. 10	PART NO.	DF51A-14DP-2DSA(01)
		DESIGNED : SZ. ONO	16. 11. 10	CODE NO.	CL543-5048-0-01
		DRAWN : TH. SATO	16. 11. 10		