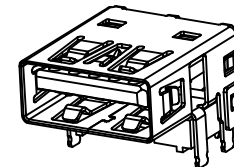
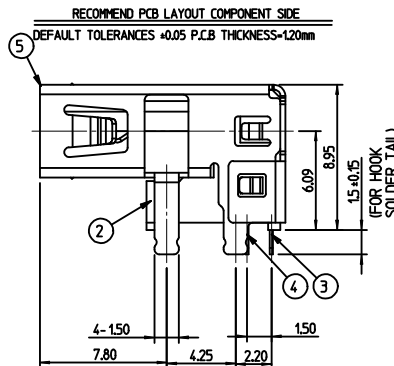
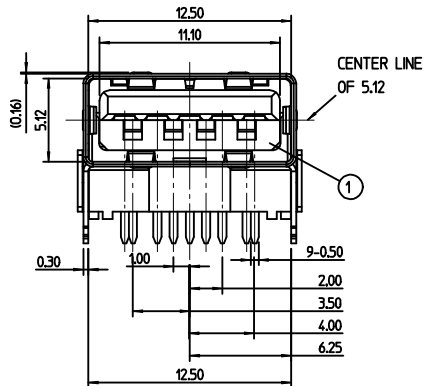


- NOTES:
- MATERIAL:
 - 1.1 HOUSING: THERMOPLASTIC, HIGH TEMP., UL94V-0, COLOR: BLUE
 - 1.2 CONTACT: COPPER ALLOY
 - 1.3 SHELL: STAINLESS STEEL
 2. FINISH:
 - 2.1 CONTACT: PLS. SEE TABLE INFORMATION
 - SOLDER TAIL PLATING: MATT TIN OVER NICKEL
 - UNDERPLATING: NICKEL OVER ALL
 - 2.2 SHELL: NICKEL PLATING OVER ALL
 3. SPEC. PLS. REFER TO PS-48391-001
 4. PACKAGE PLS. REFER TO PK-48391-001
 5. LEAD FREE AND ROHS COMPLIANT PRODUCT
 6. DATE CODE 1 A 08 X X

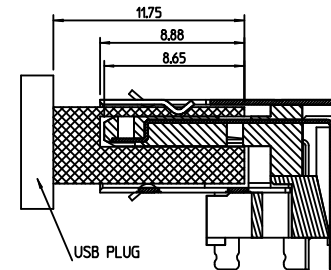
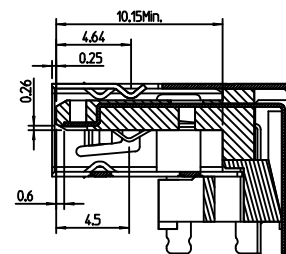
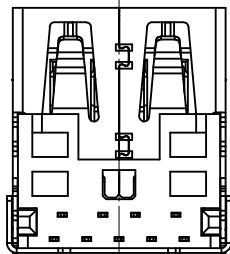
YEAR: 1+2011
 MONTH: A(JAN), B(FEB)
 DATE: 8=08

REMARK
 PRODUCE PLACE



TABLE

PLATING	MOLEX P/N
30'u GOLD	48391-0001
2u'GOLD&30u'Pd-Ni	48391-0002
15u' GOLD	48391-0003
GOLD FLASH(3u' MIN)	48391-0004



5	METAL SHELL	STAINLESS STEEL
4	TERMINAL A	COPPER ALLOY
3	TERMINAL B	COPPER ALLOY
2	SPACER	THERMOPLASTIC
1	HOUSING	THERMOPLASTIC
No.	DESCRIPTION	MATERIAL

SHELL	SHIELD
9	STDA_SSTX+
8	STDA_SSTX-
7	GND_DRAIN
6	STDA_SSRX+
5	STDA_SSRX-
4	GND
3	D+
2	D-
1	VBUS
PIN NO.	SIGNAL NAME

RELEASE EC NO: DRW:NYANG05 2013/10/20 CHKD: APPR: Δ	DESCRIPTION REV	QUALITY SYMBOLS ▽=0 ▽=0 ▽=0	GENERAL TOLERANCES (UNLESS SPECIFIED)		DIMENSION STYLE MM ONLY		SCALE 1:1		DESIGN UNITS METRIC		THIRD ANGLE PROJECTION		
		4 PLACES ± ± 3 PLACES ± ± 2 PLACES ±0.25 ± 1 PLACE ±0.25 ±	mm INCH	DRAWN BY CANDY	DATE 2013/06/17	TITLE USB3.0 NORMAL A TYPE R/A T/H CH=6.09mm							
		APPROVED BY JASON		DATE 2013/06/17	MOLEX INCORPORATED								
		MATERIAL NO. SEE TABLE		DOCUMENT NO. SD-48391-001	SHEET NO. 1 OF 1								
DRAFT WHERE APPLICABLE MUST REMAIN WITHIN DIMENSIONS			THIS DRAWING CONTAINS INFORMATION THAT IS PROPRIETARY TO MOLEX INCORPORATED AND SHOULD NOT BE USED WITHOUT WRITTEN PERMISSION										