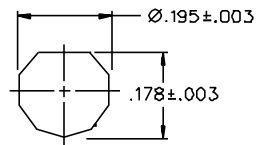
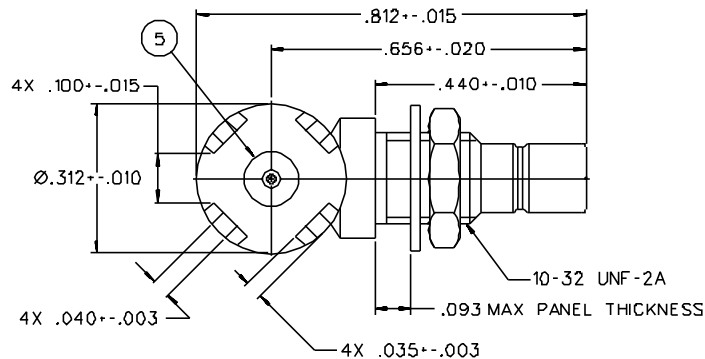
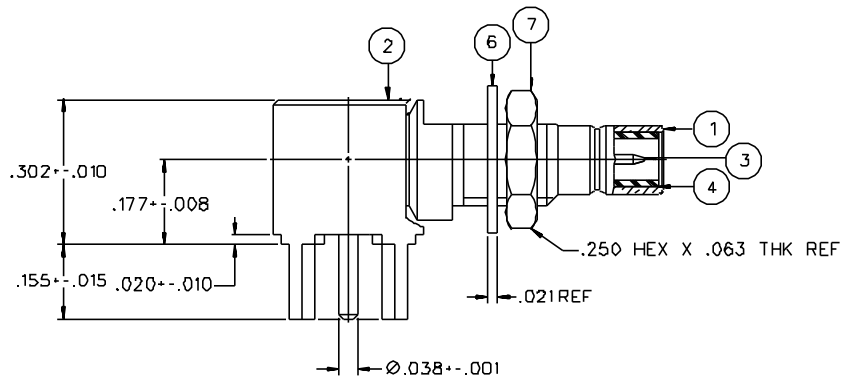
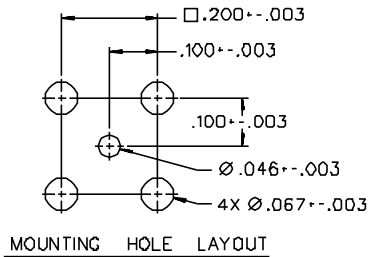


PART NUMBER	ITEM ① BODY	ITEM ② BASE	ITEM ③ CONTACT (ONE PIECE)	ITEM ④ INSULATOR	ITEM ⑤ INSULATOR	ITEM ⑥ WASHER	ITEM ⑦ NUT
131-3701-341	BRASS GOLD PL .00001 MIN OVER NICKEL PL .00005 MIN OVER COPPER PL .00005 MIN	BRASS GOLD PL .00001 MIN OVER NICKEL PL .00005 MIN OVER COPPER PL .00005 MIN	BRASS GOLD PL .00003 MIN OVER NICKEL PL .00005 MIN OVER COPPER PL .00005 MIN	TEFLON	TEFLON	PHOSPHOR BRONZE GOLD PL .00001 MIN OVER NICKEL PL .00005 MIN OVER COPPER PL .00005 MIN	BRASS GOLD PL .00001 MIN OVER NICKEL PL .00005 MIN OVER COPPER PL .00005 MIN
131-3701-342	BRASS GOLD PL .00001 MIN OVER NICKEL PL .00005 MIN OVER COPPER PL .00005 MIN	BRASS GOLD PL .00001 MIN OVER NICKEL PL .00005 MIN OVER COPPER PL .00005 MIN	BRASS GOLD PL .00003 MIN OVER NICKEL PL .00005 MIN OVER COPPER PL .00005 MIN	TEFLON	TEFLON		BRASS (QTY-2) GOLD PL .00001 MIN OVER NICKEL PL .00005 MIN OVER COPPER PL .00005 MIN
131-3701-343	BRASS GOLD PL .00001 MIN OVER NICKEL PL .00005 MIN OVER COPPER PL .00005 MIN	BRASS GOLD PL .00001 MIN OVER NICKEL PL .00005 MIN OVER COPPER PL .00005 MIN	BRASS GOLD PL .00003 MIN OVER NICKEL PL .00005 MIN OVER COPPER PL .00005 MIN	TEFLON	TEFLON	PHOSPHOR BRONZE (QTY-2) GOLD PL .00001 MIN OVER NICKEL PL .00005 MIN OVER COPPER PL .00005 MIN	BRASS (QTY-2) GOLD PL .00001 MIN OVER NICKEL PL .00005 MIN OVER COPPER PL .00005 MIN
131-3701-344	BRASS GOLD PL .00001 MIN OVER NICKEL PL .00005 MIN OVER COPPER PL .00005 MIN	BRASS GOLD PL .00001 MIN OVER NICKEL PL .00005 MIN OVER COPPER PL .00005 MIN	BRASS GOLD PL .00003 MIN OVER NICKEL PL .00005 MIN OVER COPPER PL .00005 MIN	TEFLON	TEFLON		
131-3701-345	BERYLLIUM COPPER NICKEL PL .0001 MIN OVER COPPER PL .00005 MIN	BRASS NICKEL PL .0001 MIN OVER COPPER PL .00005 MIN	BRASS GOLD PL .00003 MIN OVER NICKEL PL .00005 MIN OVER COPPER PL .00005 MIN	TEFLON	TEFLON	PHOSPHOR BRONZE NICKEL PL .0001 MIN OVER COPPER PL .00005 MIN	BRASS NICKEL PL .0001 MIN OVER COPPER PL .00005 MIN
131-3701-346	BRASS NICKEL PL .0001 MIN OVER COPPER PL .00005 MIN	BRASS NICKEL PL .0001 MIN OVER COPPER PL .00005 MIN	BRASS GOLD PL .00003 MIN OVER NICKEL PL .00005 MIN OVER COPPER PL .00005 MIN	TEFLON	TEFLON	PHOSPHOR BRONZE NICKEL PL .0001 MIN OVER COPPER PL .00005 MIN	BRASS NICKEL PL .0001 MIN OVER COPPER PL .00005 MIN
131-3701-347	BRASS GOLD PL .00001 MIN OVER NICKEL PL .00005 MIN OVER COPPER PL .00005 MIN	BRASS GOLD PL .00001 MIN OVER NICKEL PL .00005 MIN OVER COPPER PL .00005 MIN	BRASS GOLD PL .00003 MIN OVER NICKEL PL .00005 MIN OVER COPPER PL .00005 MIN	TEFLON	TEFLON	PHOSPHOR BRONZE GOLD PL .00001 MIN OVER NICKEL PL .00005 MIN OVER COPPER PL .00005 MIN	BRASS GOLD PL .00001 MIN OVER NICKEL PL .00005 MIN OVER COPPER PL .00005 MIN

DRAWING NO. C - 131-3701-341/350	
0 REVISIONS	
CHANGED: REVISED AND REDRAWN ON CAD. WAS "D" SIZE DATED 4-3-87. CHANGED: .100--.015 WAS .100--.005	
04	04-03-91 R H J B 4-12-91 ECO 40318
ADDED: P/N 131-3701-344	
5	8-29-92 R H J B 9-22-92 ECO 41139
CHANGED: RF HIGH POT 4 AND 7 MHZ WAS 5 MHZ	
6	8-29-92 R H J B 9-22-92 ECO 41189
ADDED: P/N 131-3701-345	
6a	5-15-95 R H J B 5-17-95 ECN 43432
DELETED: WASHER & NUT FROM -345	
6b	9-19-95 R H J B 9-21-95 ECN 43715
ADDED: WASHER AND NUT TO -345	
6c	2-26-96 R H J B 3-22-96 ECN 43962
ADDED: P/N 131-3701-341/350	
* REVISION NUMBER FOLLOWED BY AN ALPHA *	
* CHARACTER INDICATED DRAWING CLASS *	
* ACTION OR PART NUMBER ADDITION ONLY *	
6d	3-27-97 R H J B ECN 44623



NOTES:

1. SPECIFICATIONS:

IMPEDANCE: 50 OHMS  
 FREQUENCY RANGE: 0-4 GHz  
 VSWR: NOT APPLICABLE  
 WORKING VOLTAGE: 335 VRMS MAX AT SEA LEVEL  
 DIELECTRIC WITHSTANDING VOLTAGE: 1000 VRMS MIN AT SEA LEVEL  
 INSULATION RESISTANCE: 1000 MEGOHM MIN  
 CONTACT RESISTANCE:  
 CENTER CONTACT - INITIAL 6 MILLIOHM MAX, AFTER ENVIRONMENTAL 8 MILLIOHM MAX  
 OUTER CONDUCTOR - INITIAL 1 MILLIOHM MAX, AFTER ENVIRONMENTAL 1.5 MILLIOHM MAX  
 BRAID TO BODY - NOT APPLICABLE  
 CORONA LEVEL: NOT APPLICABLE  
 INSERTION LOSS: NOT APPLICABLE  
 RF LEAKAGE: NOT APPLICABLE  
 RF HIGH POTENTIAL WITHSTANDING VOLTAGE: 600 VRMS AT 4 AND 7 MHZ

MECHANICAL:

ENGAGE/DISENGAGE FORCE: INITIAL 14 LBS MAX, AFTER DURABILITY 14 LBS MAX ENGAGEMENT, 2 LBS MIN DISENGAGEMENT  
 MATING TORQUE: NOT APPLICABLE  
 COUPLING PROOF TORQUE: NOT APPLICABLE  
 COUPLING NUT RETENSION: NOT APPLICABLE  
 CONTACT RETENSION: 4 LBS MIN AXIAL FORCE  
 CABLE ACCEPTABILITY: NOT APPLICABLE  
 CABLE HEX CRIMP SIZE: NOT APPLICABLE  
 CABLE RETENTION: NOT APPLICABLE  
 DURABILITY: 500 CYCLES MIN

ENVIRONMENTAL:

(MEETS OR EXCEEDS THE APPLICABLE PARAGRAPH OF MIL-C-39012)  
 THERMAL SHOCK: MIL-STD-202, METHOD 107, CONDITION B  
 OPERATING TEMPERATURE: -65 DEG C TO 165 DEG C  
 CORROSION: MIL-STD-202, METHOD 101, CONDITION B  
 SHOCK: MIL-STD-202, METHOD 213, CONDITION B  
 VIBRATION: MIL-STD-202, METHOD 204, CONDITION B

THIS DRAWING TO BE INTERPRETED PER ANSI Y 14.5M - 1982

"µSTATION"

COMPANY CONFIDENTIAL

TOLERANCE UNLESS OTHERWISE SPECIFIED	DRAWN BY BECKER	DATE 4-2-91	JOHNSON CINDY CONNECTIVITY SOLUTIONS 299 Johnson Ave. Ste. 100 Waseca, MN 56093 1-800-247-8256	
DECIMALS .XX	CHECKED BY	DATE	TITLE JACK ASSEMBLY, RA PC MOUNT BULKHEAD SMB	CODE NO.
.XXX±.003	APPROVED BY	DATE	DRAWING NO. C - 131-3701-341/350	
MATL	APPROVED BY RJB	DATE 4-10-91	SCALE 5:1	U/M INCH
FINISH	RELEASE DATE 4-12-91 {4-3-87}	DATE {4-3-87}	SHEET 2 OF 2	