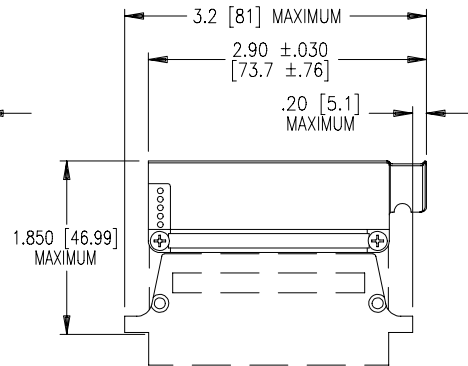
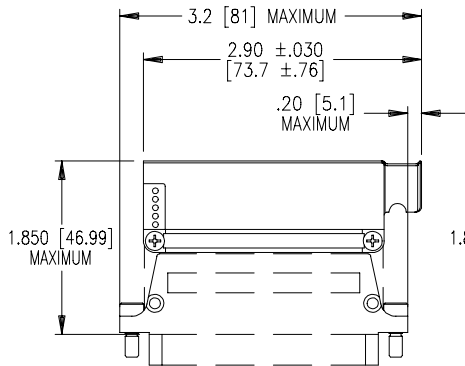
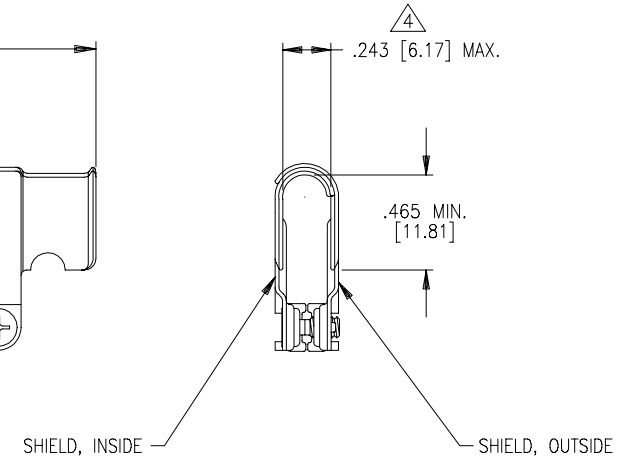
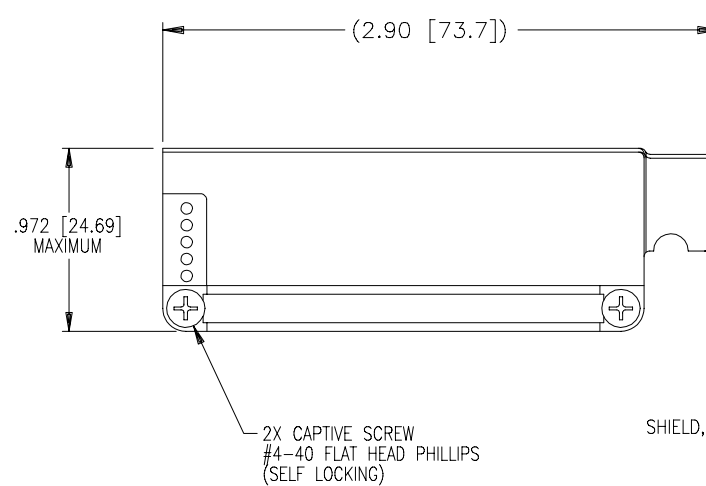
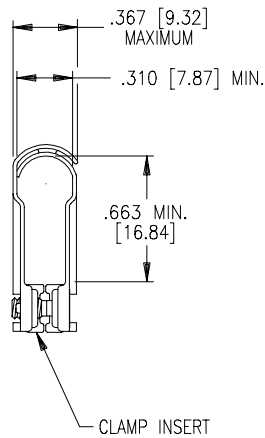


NOTES:

1. MATERIAL:
  - A) SHIELD: PHOSPHOR BRONZE PER QQ-B-750
  - B) CAPTIVE SCREW: STAINLESS STEEL PER QQ-S-763, 300 SERIES
  - C) CLAMP INSERT: FLUOROSILICONE ELASTOMER PER MIL-R-25988
2. FINISH: SEE TABULATION.
3. APPLICABLE RAYCHEM PART NUMBER IS MARKED ON BACKSHELL PACKAGE.
4. WHEN SCREWS ARE TIGHTENED TO ACHIEVE 0.1 INCH SPACING BETWEEN SHELL HALVES (EAR THICKNESS) THIS DIMENSION SHALL BE 0.225 MIN.
5. THIS BACKSHELL IS FOR USE WITH RAYCHEM MTC SERIES CONNECTORS: 2 INCH PLUG OR 2 INCH RECEPTACLE AS SHOWN.

If this document is printed it becomes uncontrolled.  
Check with the web for latest revision.

| REVISIONS |                                  |           |          |
|-----------|----------------------------------|-----------|----------|
| LTR       | DESCRIPTION                      | DATE      | APPROVED |
| N/C       | INITIAL RELEASE PER ECN #T-10895 | 88OCT13   | J.B.     |
| A         | REVISED PER DCR# T-29123         | 4/16/2001 | M.HIGGY  |



| PART NUMBER  | DESCRIPTION  | FINISH  |                             |
|--------------|--|---|-----------------------------|
|              |  | SHIELD  | CAPTIVE SCREW               |
| CHA-0226     | AS SHOWN HEREON  | ENTIRE SHIELD IS TIN PLATED PER MIL-T-10727 OVER NICKEL PER MIL-C-26074 | PASSIVATE PER QQ-P-35       |
| CHA-0226-003 | AS SHOWN HEREON EXCEPT CAPTIVE SCREW IS CADMIUM PLATED |   | CADMIUM PLATED PER QQ-P-416 |

SPECIFICATION CONTROL DRAWING

|   |          |                        |         |  |   |                 |       |          |              |     |   |
|---|----------|------------------------|---------|--|---|-----------------|-------|----------|--------------|-----|---|
| UNLESS OTHERWISE SPECIFIED DIMENSIONS ARE IN INCHES. METRIC DIMENSIONS ARE IN BRACKETS. | DRAWN    | LUTTICKEN              | 88OCT06 | <b>tyco</b> /Electronics/Raychem<br>WIRE AND HARNESSING PRODUCTS<br>307 CONSTITUTION DRIVE<br>MENLO PARK, CALIFORNIA 94025 |   |                 |       |          |              |     |   |
|   | CHECKED  |                        |         |  |   |                 |       |          |              |     |   |
|   | APPROVED | J.BLAIR                | 88OCT11 |  |   |                 |       |          |              |     |   |
|   | APPROVED |                        |         |  |   |                 |       |          |              |     |   |
| DECIMALS  | .XXX ±   | mm                     | mm      | TITLE  | RIGHT ANGLE BREAKOUT ASSEMBLY<br>(2.9 LONG X .972 HIGH)<br>MTC SERIES |                 |       |          |              |     |   |
| ANGLES  | .XX ±    |                        |         | SIZE   | C   | CODE IDENT. NO. | 06090 | DWG. NO. | CHA-0226-XXX | REV | A |
| .X ±  |          |                        |         | DO NOT SCALE THIS DRAWING  |   | SHEET 1 OF 1    |       |          |              |     |   |
| WEIGHT:   |          | THIRD ANGLE PROJECTION |         |  |   |                 |       |          |              |     |   |

SHEET CHA-0226-XXX DWG NO.