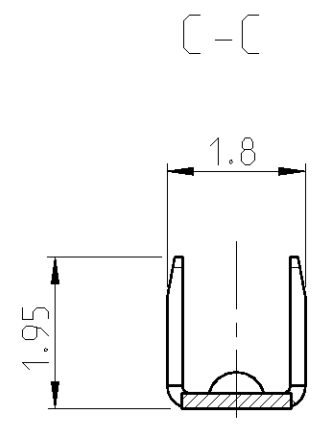
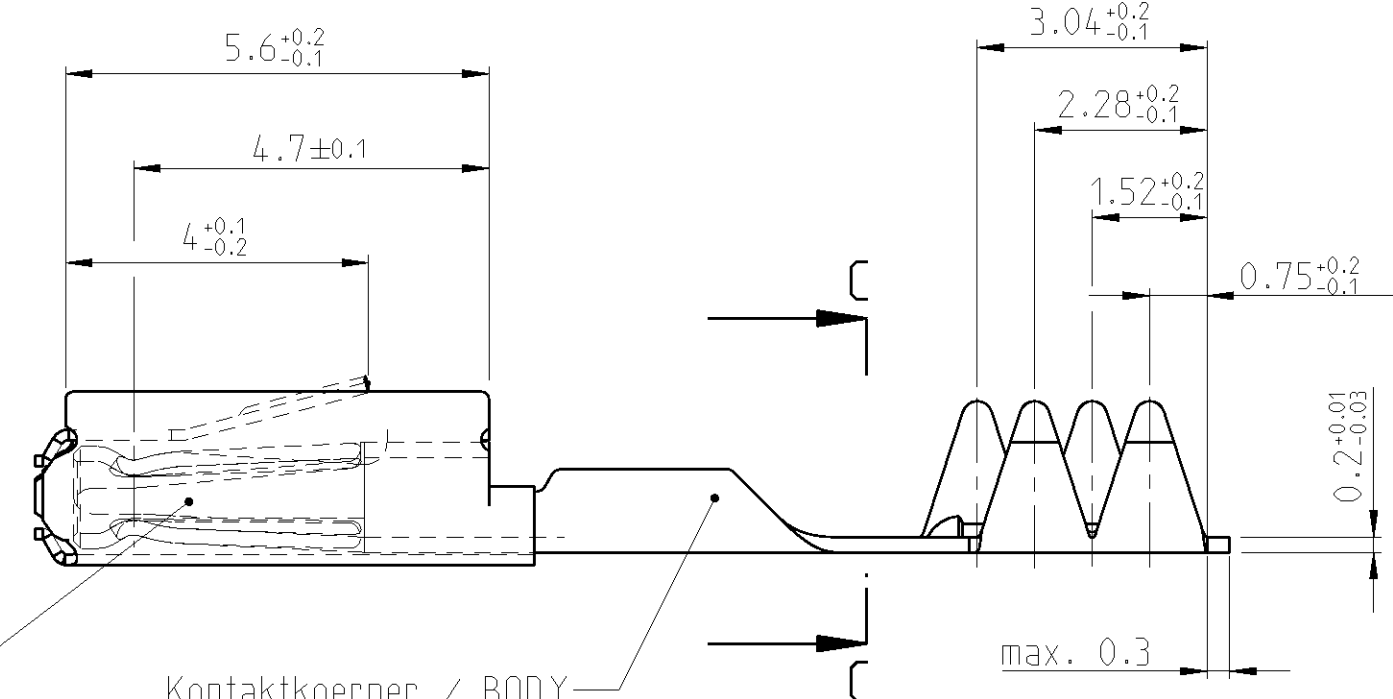


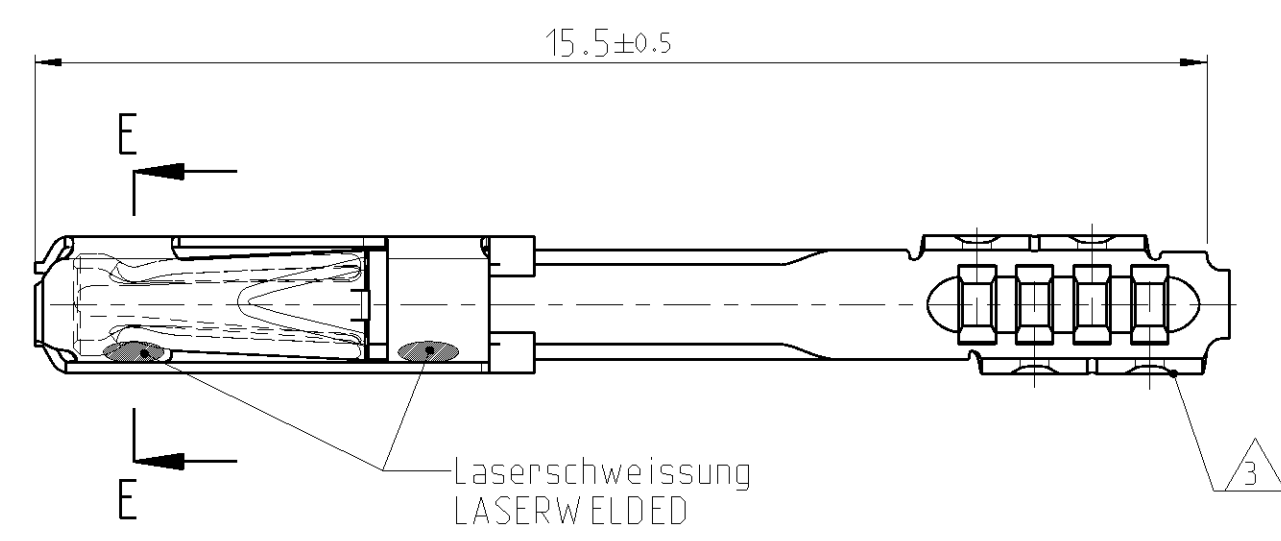
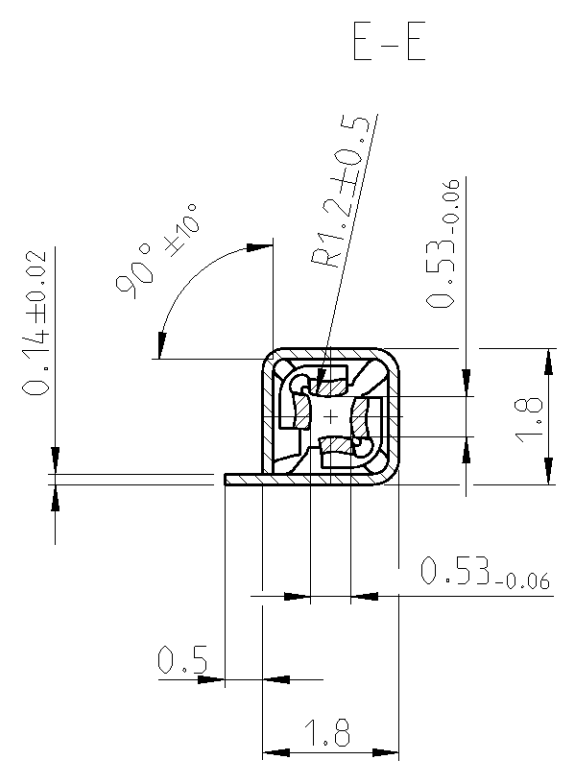
THIS DRAWING IS UNPUBLISHED. RELEASED FOR PUBLICATION 2004
 © COPYRIGHT 1999 Tyco Electronics AMP GmbH ALL RIGHTS RESERVED.

| LOC | DIST | REVISIONS | | | | | |
|-----|------|-----------|-----|---------------|-----------|-----|------|
| | | P | LTR | DESCRIPTION | DATE | DWN | APVD |
| A1 | - | A1 | | EGA0 0795 04 | 05APR2004 | Abr | HK |
| | | A2 | | EGA0 2122 04 | 23SEP2004 | Abr | HK |
| | | A3 | | ECR-11-016077 | 05NOV2012 | Abr | Brun |
| | | A4 | | ECR-13-015135 | 27SEP2013 | Abr | Brun |



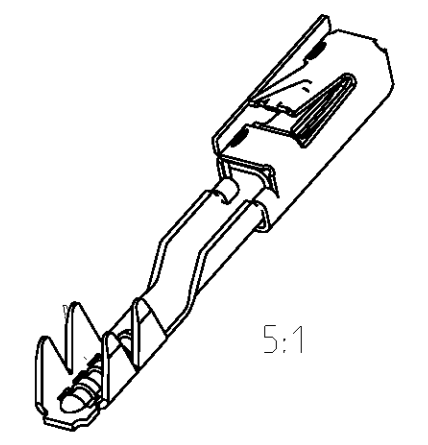
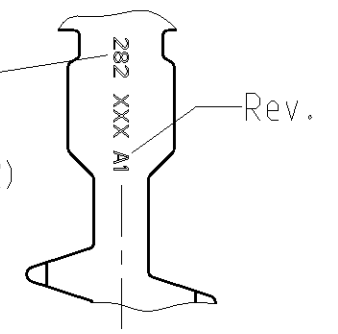
Ueberfeder / SPRING
 MATERIAL : X10CrNi 18 8
 Oberflaeche / SURFACE : BLANK

Kontaktkoerper / BODY
 MATERIAL : CuNiSi
 Oberflaeche : siehe Tabelle
 SURFACE : SEE CHART



Bemerkungen
 NOTES

- 1 Einzelheiten der Ausfuehrung bleiben dem Hersteller ueberlassen
 DETAILS OF DESIGN ARE LEFT TO MANUFACTURER
- 2 Passend zu Stifkontakt siehe Zeichnung : 929453
 SUITABLE FOR PIN CONTACT SEE DRAWING : 929453
- 3 passend fuer flexiblen Flachleiter PN 88586
 SUITABLE FOR FFC PN 88586
- 4 Datumcode (Woche / Jahr, z.B. KW28 / Jahr 2012) und TE-Revision (z.B.Rev.A)
 DATE-CODE WEEK / YEAR (E.G. WEEK NUMBER 28/ YEAR 2012) AND TE REVISION (E.G. REV. A)



| | | | |
|------------------------|------|------------------------|-------------------|
| 929387-1 | A | Sn | 0.12 |
| Bandware Bestell-Nr | REV. | Oberflaeche SURFACE | Gewicht WEIGHT |
| STRIP ORDER NO. | | | g |

| | | | | |
|---|--|----------------------------|--|--|
| THIS DRAWING IS A CONTROLLED DOCUMENT. | | DWN S. Garcia 30APR1998 | TE Connectivity | |
| DIMENSIONS: mm | | CHK R. Jetter 30APR1998 | | |
| TOLERANCES UNLESS OTHERWISE SPECIFIED: | | APVD Bleicher M. 05APR2004 | NAME MQS-RECEPTACLE CONTACT WITH FFC-CRIMP Micro Quadlok System FLEXIBLE FLAT CABLE SOCKET CONTACT | |
| 0-PLC ± 1-PLC ± ±0.2 2-PLC ± ±0.2 3-PLC ± ±0.2 4-PLC ± ±0.2 ANGLES ±1° FINISH | | PRODUCT SPEC 108-18030 | SIZE CAGE CODE DRAWING NO RESTRICTED TO | |
| MATERIAL - | | APPLICATION SPEC 114-18287 | A2 00779 C-929387 | |
| | | WEIGHT - | SCALE 10:1 SHEET 1 OF 1 REV A4 | |
| | | Customer Drawing | | |