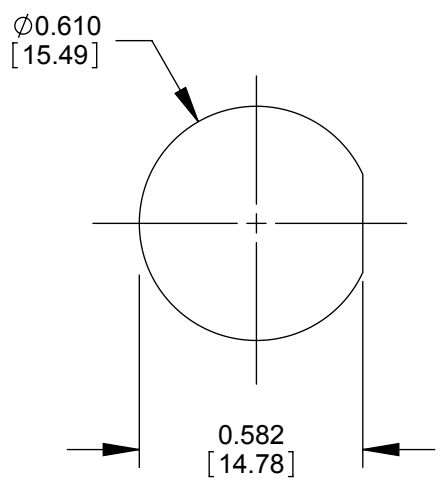
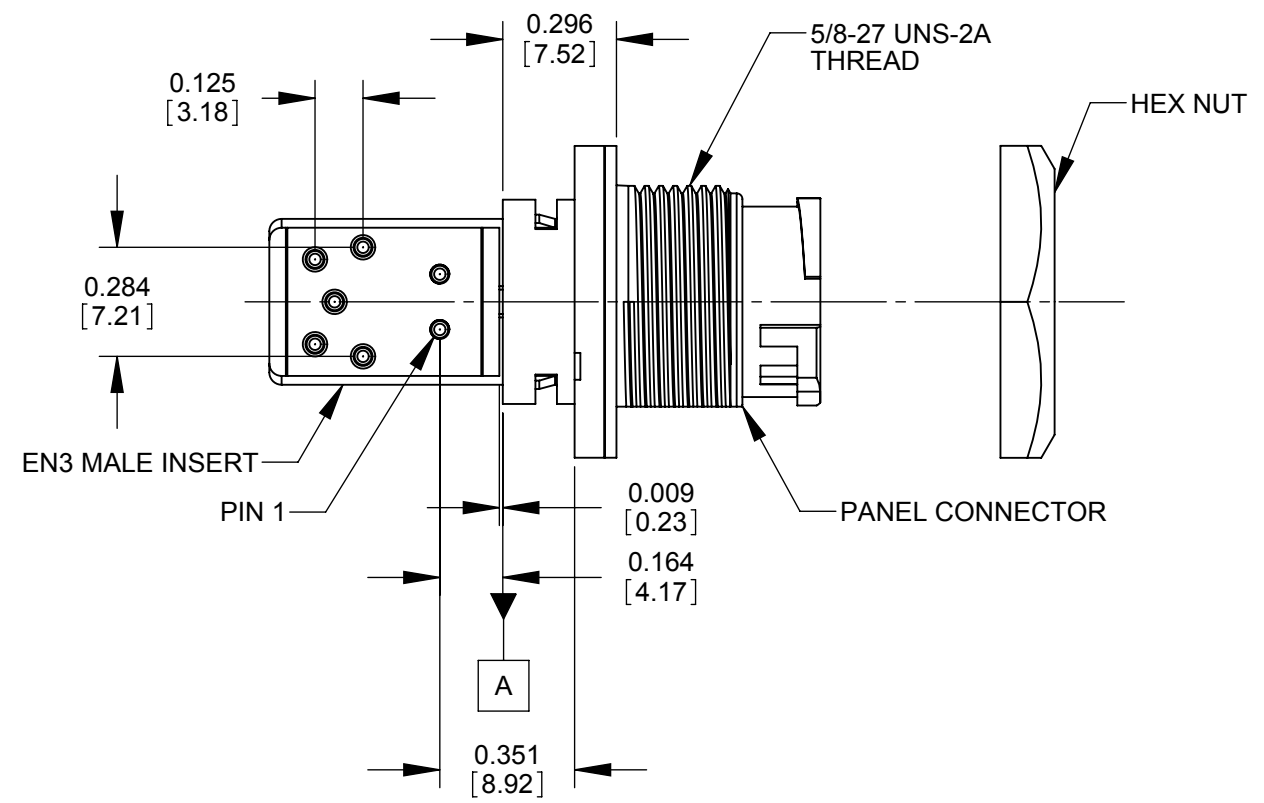


RECOMMENDED PCB LAYOUT
(COMPONENT SIDE)



RECOMMENDED
PANEL CUTOUT

NOTES:

- MATERIALS:**
CONTACTS: COPPER BASE ALLOY, GOLD PLATED
RA MALE INSERT, CONNECTOR SHELL: THERMOPLASTIC
CONNECTOR SHELL INTERIOR: THERMOPLASTIC RUBBER
HEX NUT: THERMOPLASTIC (SHIPPED UNASSEMBLED)
- THIS PRODUCT IS RoHS COMPLIANT.

CUSTOMER DRAWING

REV	ECO NUMBER	DATE	BY	APVD
A	26354	8/6/08	JGK	TJK
REVISIONS				

UNLESS OTHERWISE SPECIFIED

1. ALL DIMENSIONS IN INCHES
- TWO PLACE DECIMALS ±0.02
- THREE PLACE DECIMALS ±0.005

DO NOT SCALE DRAWING

THIS DRAWING DESCRIBES A DESIGN CONSIDERED PROPRIETARY IN NATURE, DEVELOPED AND MANUFACTURED BY SWITCHCRAFT INC. AND IS RELEASED ON A CONFIDENTIAL BASIS FOR IDENTIFICATION PURPOSES ONLY.									
SIZE	WIDTH	MULT	LBS/M	TEMPER					
FINISH					MATERIAL				
SPEC No.					SPEC No.				
FIRST USED ON				SCALE 2:1					
DATE DRAWN	BY	CHKD	APVD						
7/24/06	SRC	JGK	TJK						
			3/25/10	3/25/10					
NAME					PART No.				
EN3 MALE, 7 PIN RAPC, RoHS					EN3P7MRAPCX				
									REV
									A