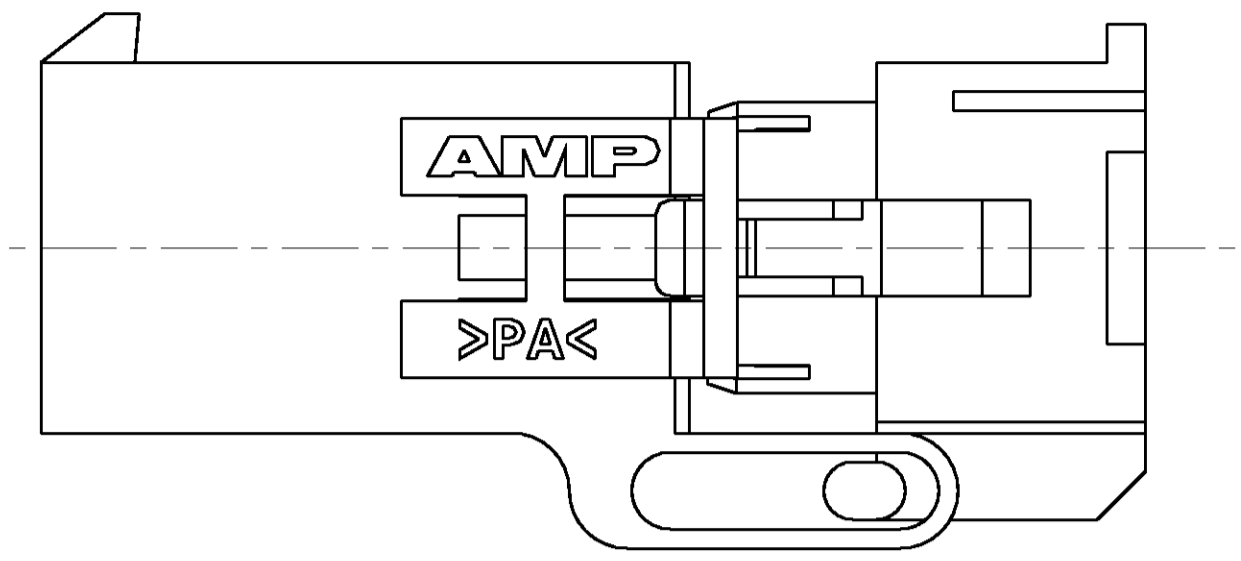
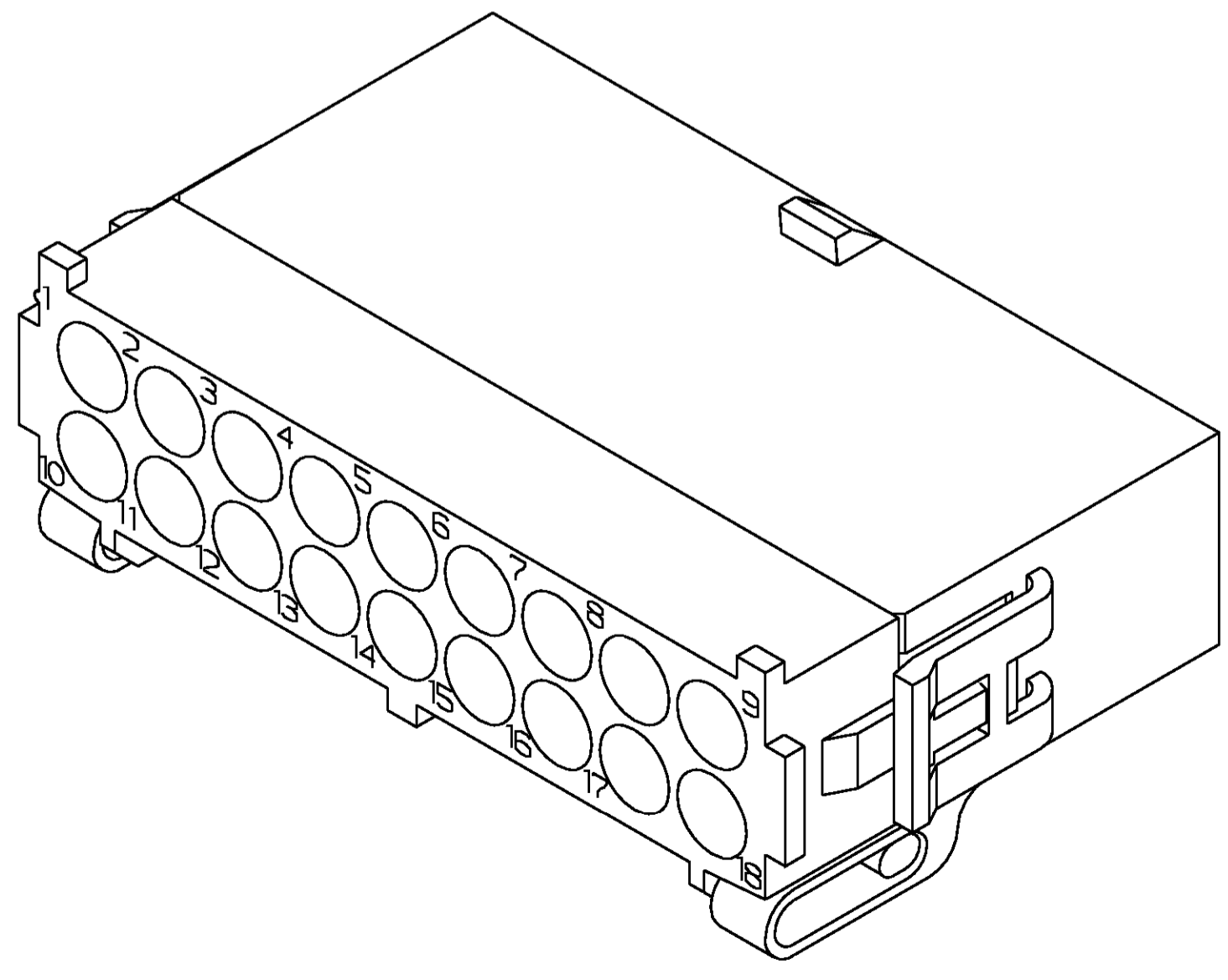
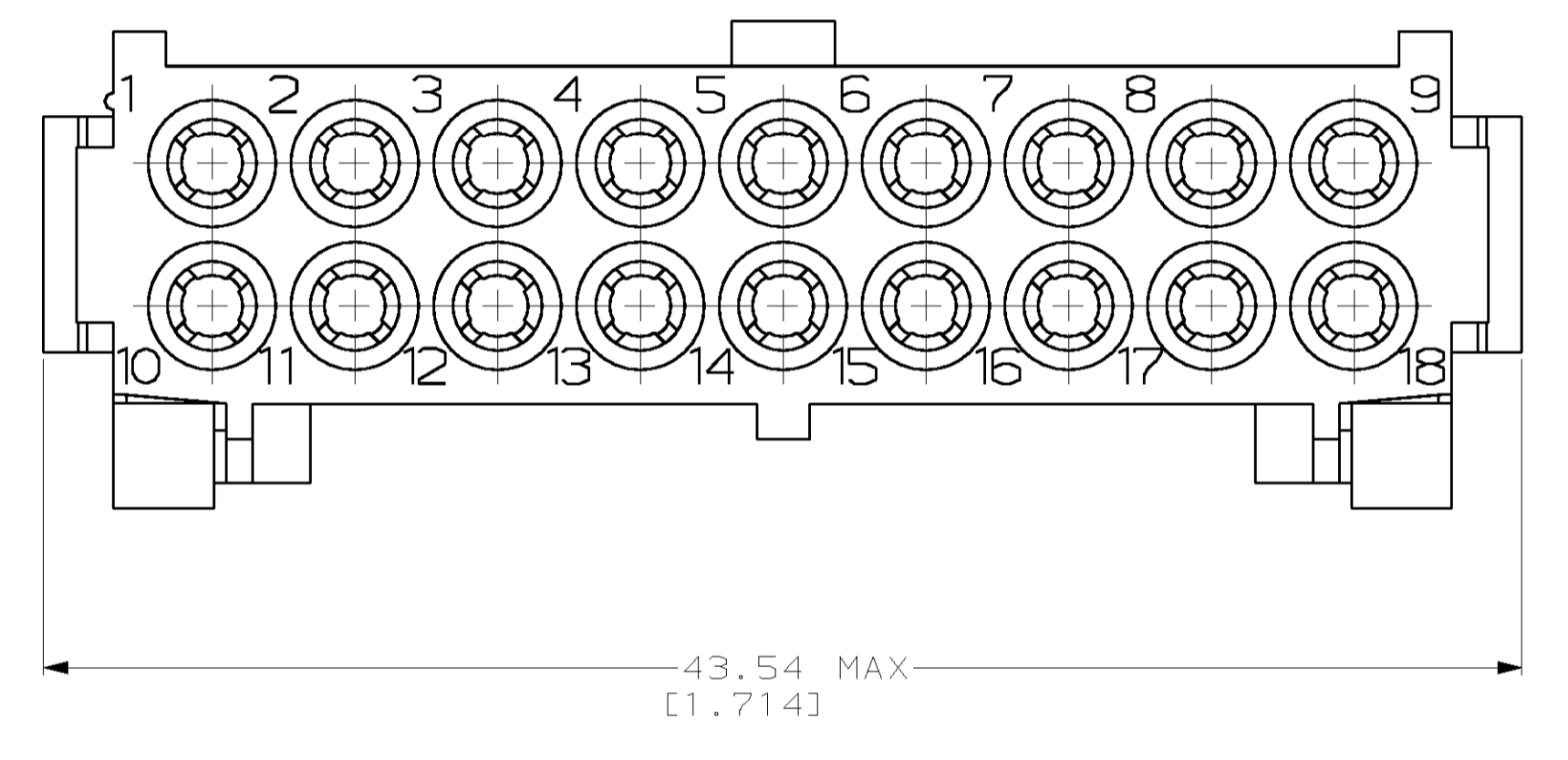
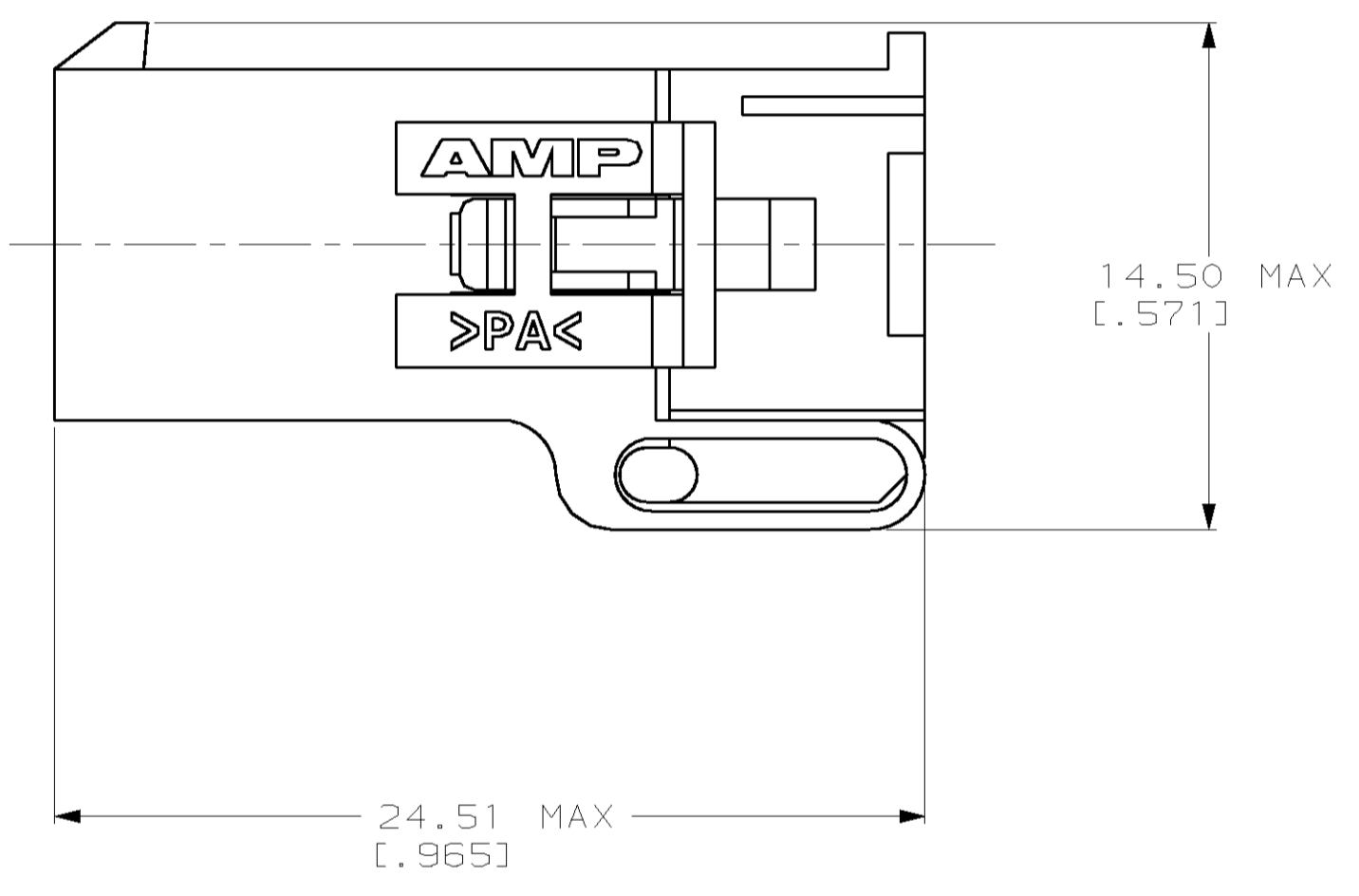
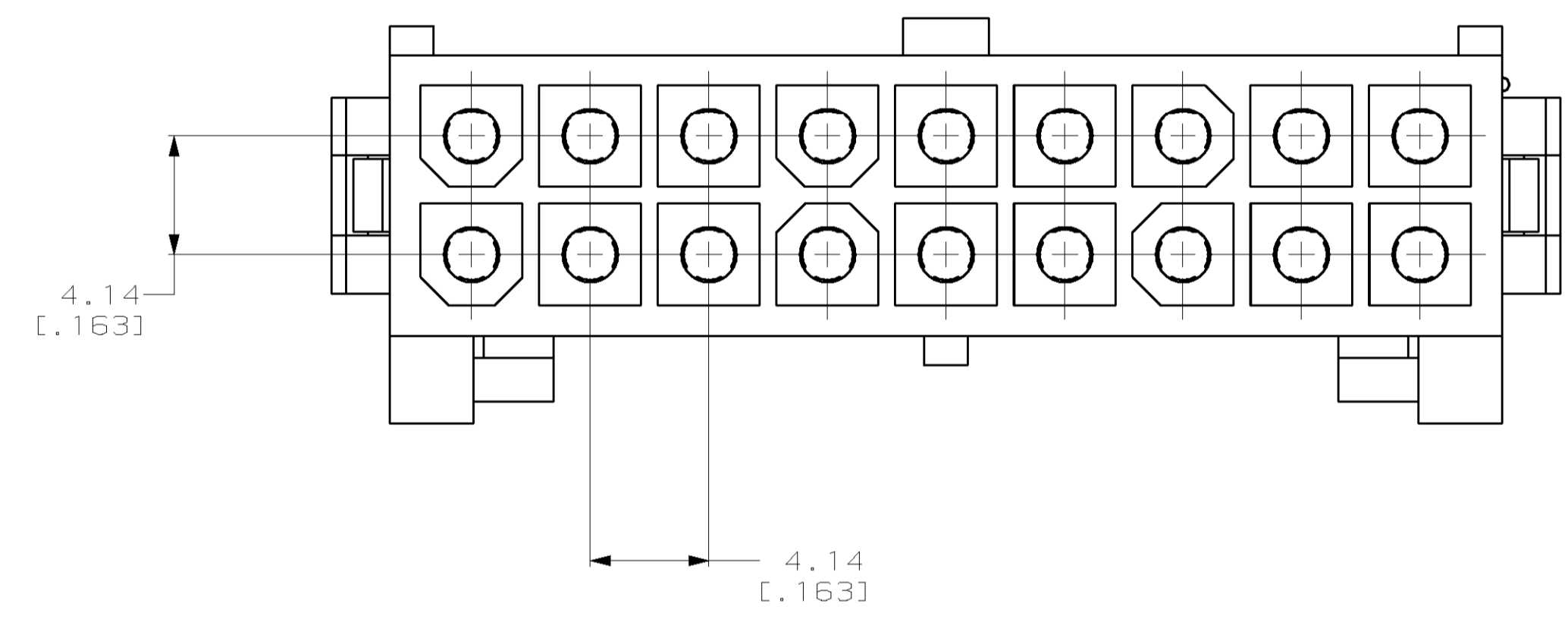


LOC		DIST		REVISIONS			
F	CHR	DATE	BY	CHKD	APVD		
B		23-SEP-99	KW				
REV PER EC		061B-0094-99					



PRE-STAGED CONDITION

1. DIMENSIONS IN BRACKETS ARE IN INCHES.



3-DIMENSIONAL MODEL  
NTS

794262-1  
PART NUMBER



THIS DRAWING IS A CONTROLLED DOCUMENT.		DWN K. WHITAKER	5-20-97	<b>AMP</b> AMP Incorporated Harrisburg, PA 17105-3608
DIMENSIONS:		CHK R. SWING	5-20-97	
TOLERANCES UNLESS OTHERWISE SPECIFIED:		APVD S. ORSTAD	5-20-97	NAME CAP, 18 CIRCUIT, MINI UNIVERSAL MATE-N-LOK™ 2
mm	0 PLC ±	PRODUCT SPEC		SIZE CAGE CODE DRAWING NO
	1 PLC ±	APPLICATION SPEC		A1 00779 C-794262
	2 PLC ±			RESTRICTED TO
	3 PLC ±0.13 (.005)			
	4 PLC ±			
	ANGLES ±			
MATERIAL NYLON, UL 94V-2,NATURAL	FINISH -	WEIGHT -		CUSTOMER DRAWING
SCALE 5:1			SHEET 1 OF 1	REV B