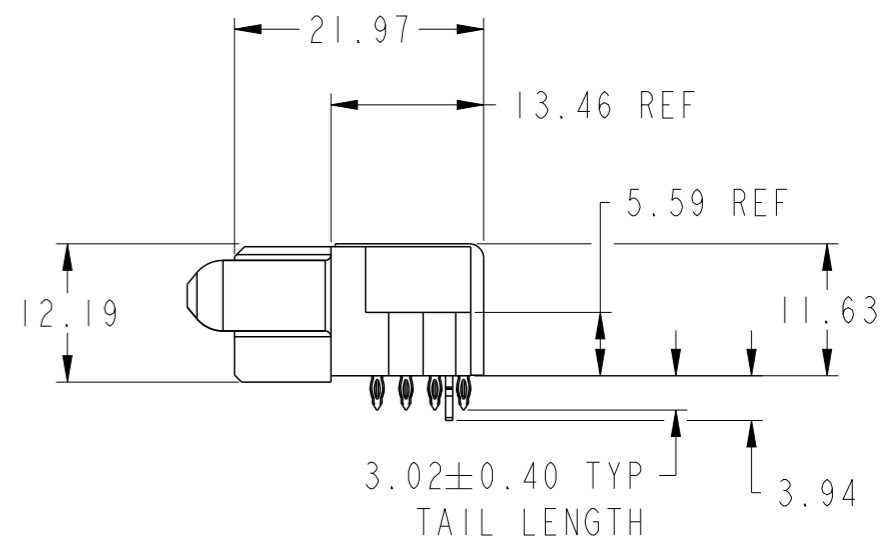
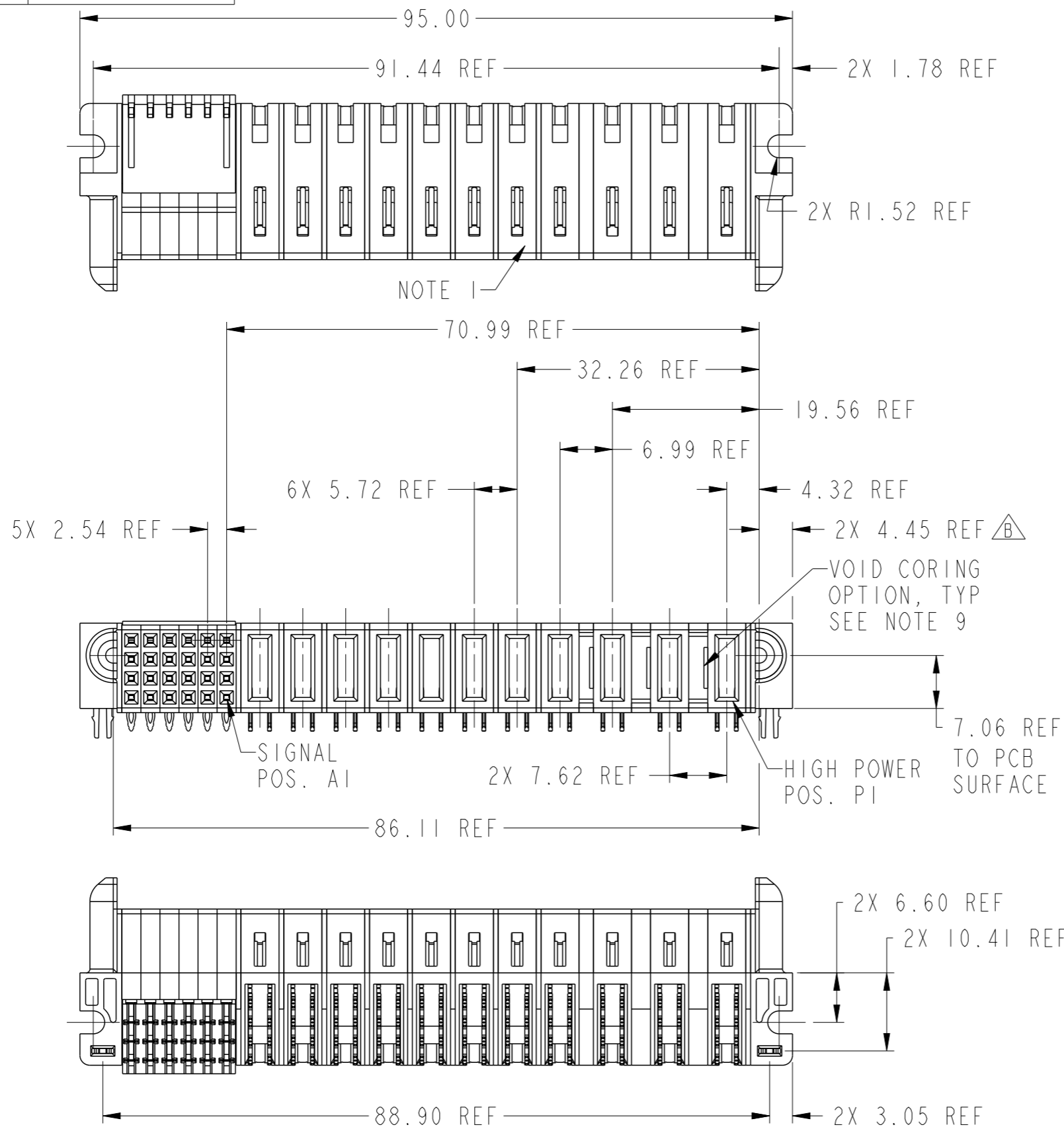


PRODUCT NUMBER SEE SHEET 2

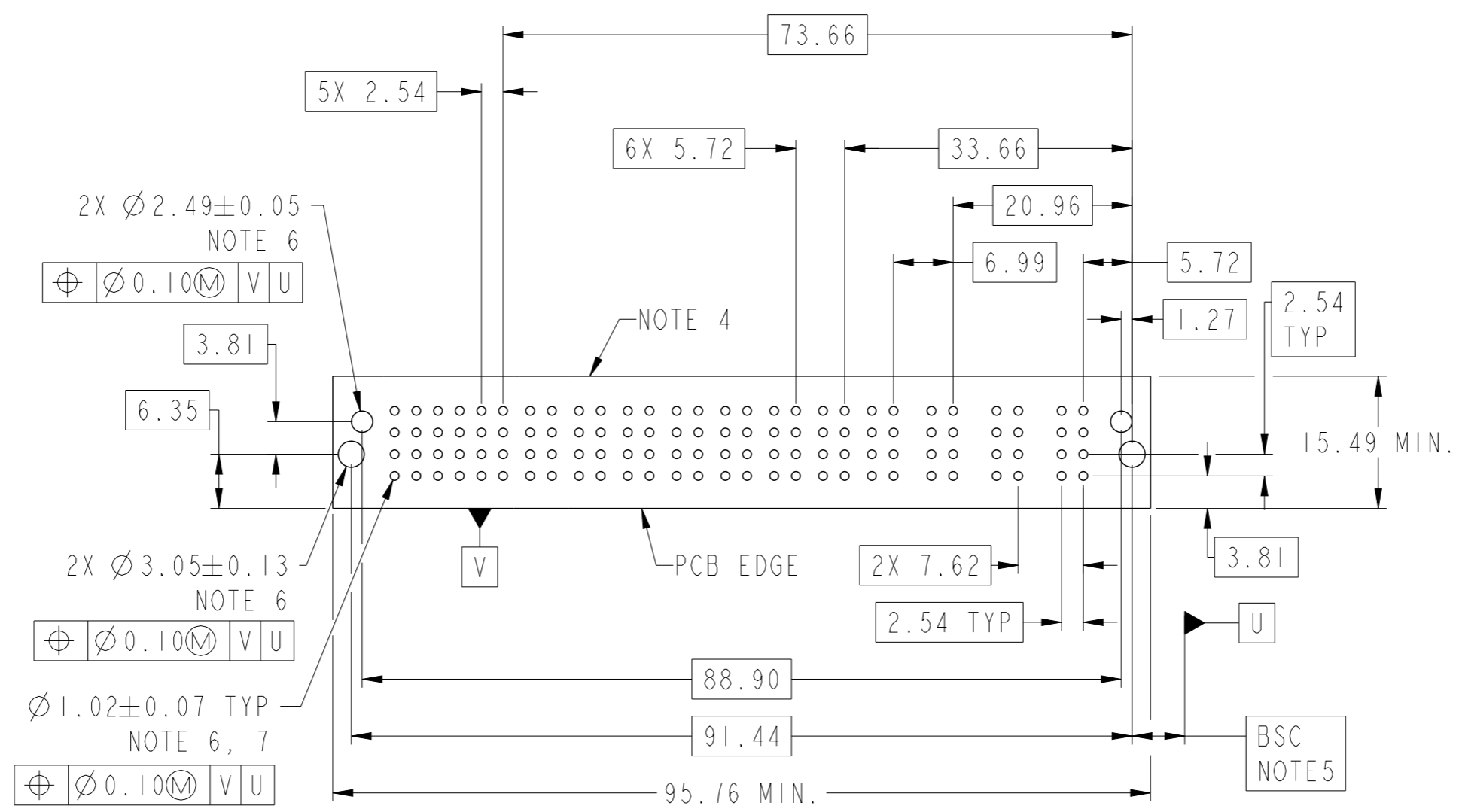


spec ref	*	dr	Peng-Bing Fu	2012/08/08	projection	MM	size	A3	scale	3:2	
tolerance std	ASME Y14.5	eng	Peng-Bing Fu	2012/11/14			ecn no	ELX-DG-013144-1			
TOLERANCES UNLESS OTHERWISE SPECIFIED		chr	Tian-Xu Huang	2012/11/15				product family	PwrBlade+	rel level	Released
surface	<input checked="" type="checkbox"/> linear <input type="checkbox"/> angular	appr	Pei-Ming Zheng	2012/11/15			dwg no	10106265-B006003		rev	B
ASME Y14.5	0.X ±0.5 0.XX ±0.25 0.XXX ±0.10 0° ±2°	www.fci.com		cat. no.	3ACP + 8HDP + 24S RA PF RECEPTACLE		Product - Customer Drw		sheet 1 of 3		

Copyright FCI.

PRODUCT NO.	ROWS	SIGNAL						HIGH POWER					HIGH POWER					E2	
		E1	6	5	4	3	2	1	P11	P10	P9	P8	P7	P6	P5	P4	P3		P2
10106265-B006003LF	D C B A	S	S	S	S	S	S	H7	H7	H7	H7	H7	H7	H7	H7	H7	H5	H7	H7
		R	R	R	R	R	R												
		P	P	P	P	P	P												
		N	N	N	N	N	N												

CODE	DESCRIPTION
H5	MFBL HIGH POWER CONTACT(3.02)
H7	STD HIGH POWER CONTACT(3.02)
HA	METAL HOLD DOWN
N	STD SIGNAL CONTACT, ROW A
P	STD SIGNAL CONTACT, ROW B
R	STD SIGNAL CONTACT, ROW C
S	STD SIGNAL CONTACT, ROW D



Copyright FCI.

dr	Peng-Bing Fu	2012/08/08	projection	MM	size	A3	scale	3:2	
eng	Peng-Bing Fu	2012/11/14			ecn no	ELX-DG-013144-1	rel level	Released	
chr	Tian-Xu Huang	2012/11/15							
appr	Pei-Ming Zheng	2012/11/15	product family	PwrBlade+					
			title 3ACP + 8HDP + 24S RA PF RECEPTACLE			dwg no 10106265-B006003		rev B	
www.fci.com			cat. no.		Product - Customer Drw			sheet 2 of 3	

NOTES:

- 1) "FCI", PART NUMBER AND DATE CODE TO BE MARKED ON THIS SURFACE.
THE MARK CAN BE OMITTED IF THERE IS NOT ENOUGH SPACE ON THIS SURFACE.
- 2) MATERIALS:
-HOUSING - GLASS FILLED WITH HIGH TEMP THERMOPLASTIC, UL94V-0.
-SIGNAL CONTACT - COPPER ALLOY.
-POWER CONTACT - HIGH CONDUCTIVITY COPPER ALLOY.
- 3) PLATING SPECIFICATION REFER TO FCI 10116351
- 4) DENOTES CONNECTOR KEEP OUT ZONE.
- 5) DATUM AND BASIC DIMENSIONS WERE ESTABLISHED BY CUSTOMER.
- 6) ALL HOLE DIAMETERS ARE FINISHED HOLE SIZES.
- 7) 1.15 ± 0.025 MM DRILLED HOLE PLATED WITH 0.00762MM MIN Sn
OVER 0.0254-0.0762MM Cu PLATING TO ACHIEVE A 1.02 ± 0.07 MM HOLE.
- 8) PRODUCT SPECIFICATION REFER TO FCI GS-12-658.
APPLICATION SPECIFICATION REFER TO FCI GS-20-141.
PRODUCT PACKAGED IN TRAYS, REFER TO FCI GS-14-1502.
- 9) THE VOID CORING IN BETWEEN POWER MODULES, SIGNAL
MODULES AND END MODULES ARE OPTIONAL AND THE SHAPE
MAY BE DIFFERENT FOR OPTIMIZE THE MOLDING PROCESS. THE
VOID CORING WILL NOT EFFECT TO PRODUCT FUNCTION.
- 10) A \triangle SYMBOL WILL BE NEXT TO ANY DIMENSION, VIEW, OR NOTE WHICH
HAS BEEN MODIFIED WITH THE CURRENT DRAWING REVISION.



Copyright FCI.

dr	Peng-Bing Fu	2012/08/08	projection 	MM 	size	A3	scale	3:2
eng	Peng-Bing Fu	2012/11/14			ecn no	ELX-DG-013144-1		
chr	Tian-Xu Huang	2012/11/15			product family	PwrBlade+	rel level	Released
appr	Pei-Ming Zheng	2012/11/15			title 3ACP + 8HDP + 24S RA PF RECEPTACLE		dwg no 10106265-B006003	rev B
www.fci.com			cat. no.	Product - Customer Drw		sheet 3 of 3		