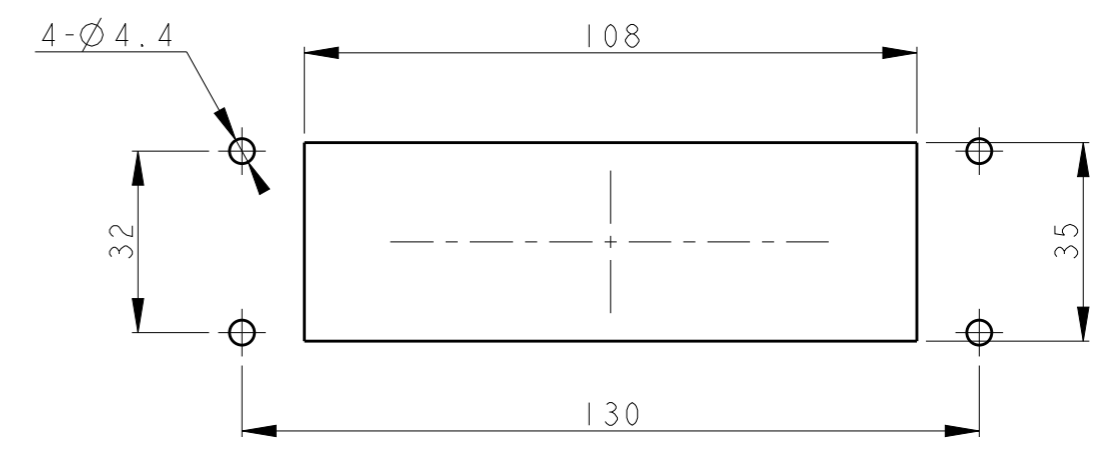
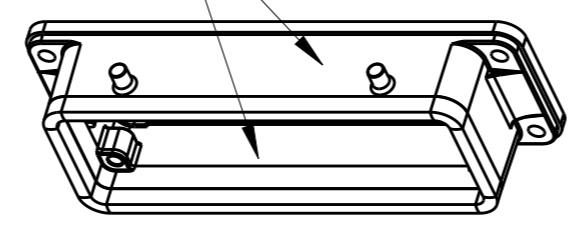
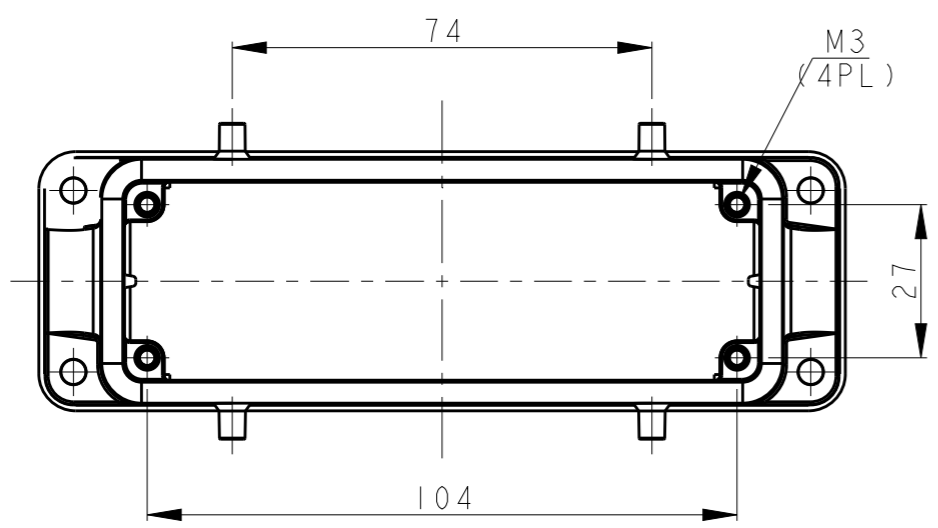


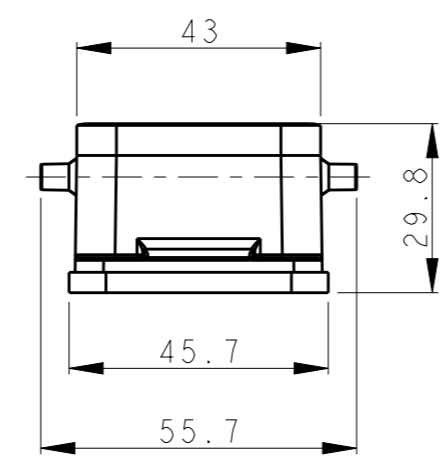
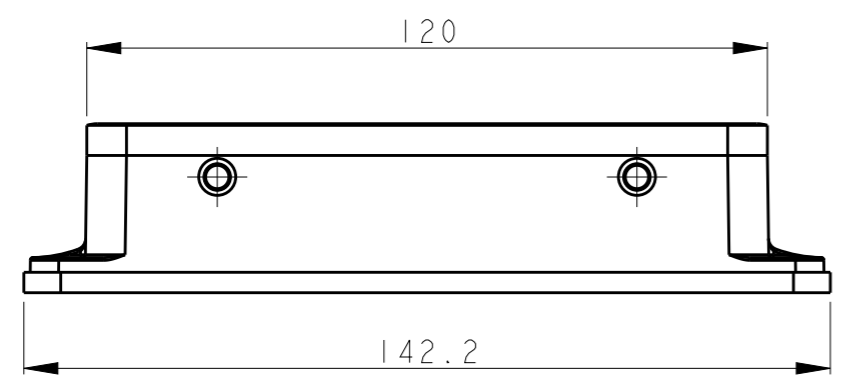
THIS DRAWING IS UNPUBLISHED. RELEASED FOR PUBLICATION 20  
 © COPYRIGHT 20 BY - ALL RIGHTS RESERVED.

REVISIONS					
P	LTR	DESCRIPTION	DATE	DWN	APVD
	A	INITIAL RELEASE	12JUN2015	DL	CW

FOR "TI420246000-000"  
 COATED BOTH INSIDE AND OUTSIDE

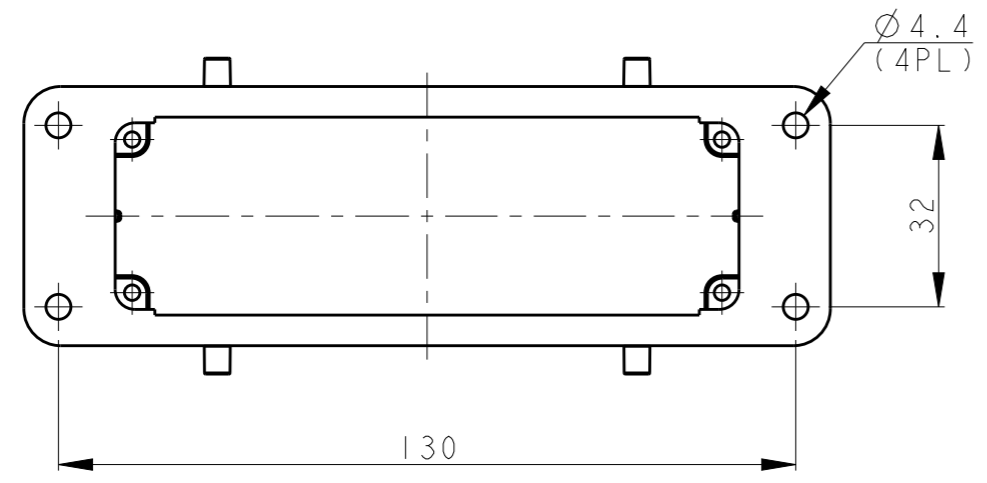


开孔安装示意图  
 PANNEL CUT OUT



NOTES:  
 1. TECHNICAL CHARACTERISTICS:  
 BODY MATERIAL: DIE CAST ALUMINIUM ALLOY  
 SURFACE TREATMENT: POWDER-COATED, GRAY  
 OPERATION TEMPERATURE: -40-+125°C  
 DEGREE OF PROTECTION: IP65 (MATED)

注释:  
 1. 技术参数:  
 主体材料: 铝合金  
 表面处理: 粉末喷涂, 灰色  
 工作温度: -40-+125°C  
 防护等级: IP65(配合)



TI420246000-000	H24B-AG-BO	COATED BOTH INSIDE AND OUTSIDE
TI420240000-000		-
ASSEMBLY PART NUMBER	ASSEMBLY PART DESCRIPTION	REMARK

THIS DRAWING IS A CONTROLLED DOCUMENT.	
DIMENSIONS: mm	TOLERANCES UNLESS OTHERWISE SPECIFIED:
	0 PLC ±-
	1 PLC ±-
	2 PLC ±-
	3 PLC ±-
	4 PLC ±-
	ANGLES ±-
MATERIAL	FINISH
-	-

DWN	12JUN2015	 TE Connectivity
DAVID LI		
CHK	12JUN2015	
CHRIS WANG		
APVD	12JUN2015	NAME
XU XIANG		H24B-AG-BO
PRODUCT SPEC	108-137013	SIZE
APPLICATION SPEC	114-137013	CAGE CODE
WEIGHT	-	DRAWING NO
CUSTOMER DRAWING		RESTRICTED TO
		A3
		-
		©-TI42024X000000
		SCALE 3:4
		SHEET 1 OF 1
		REV A