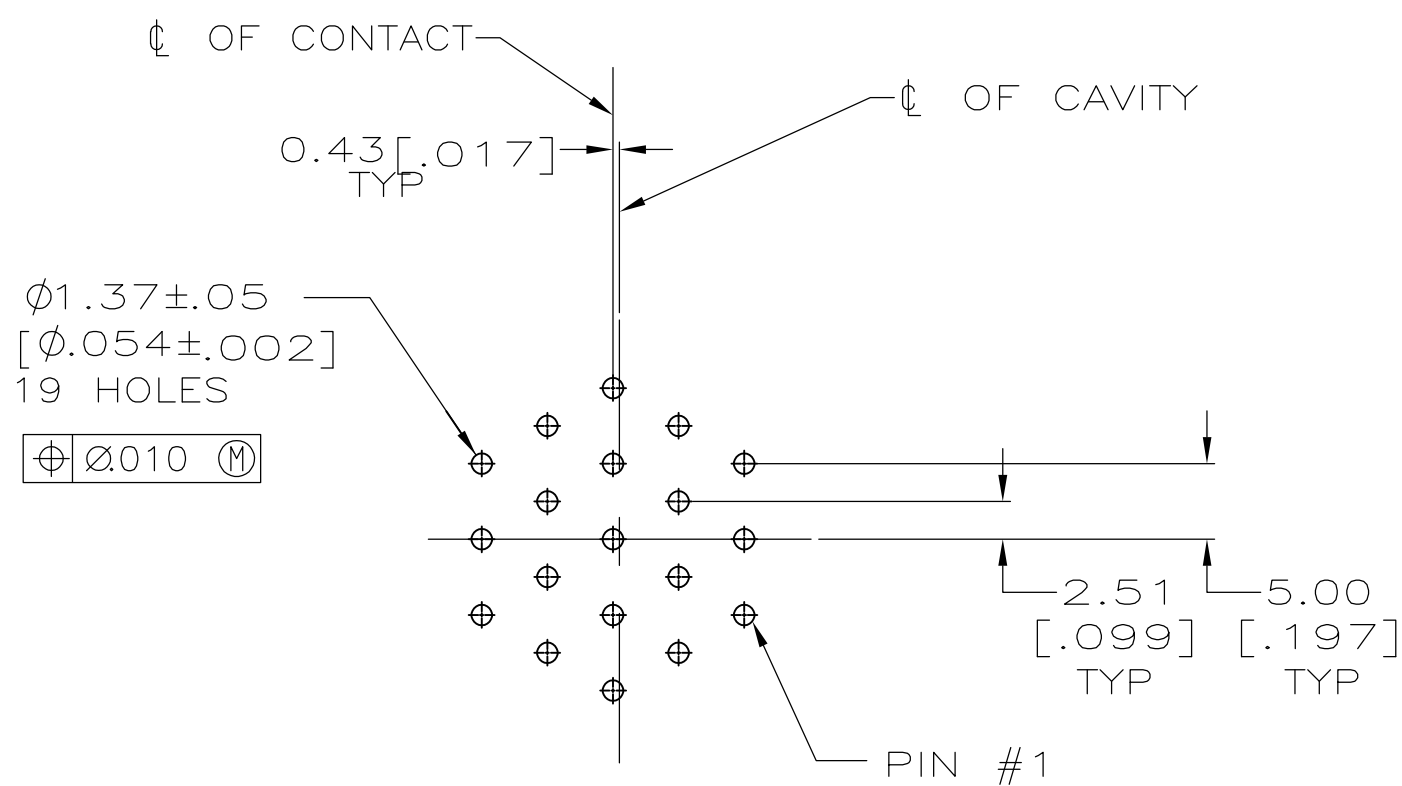
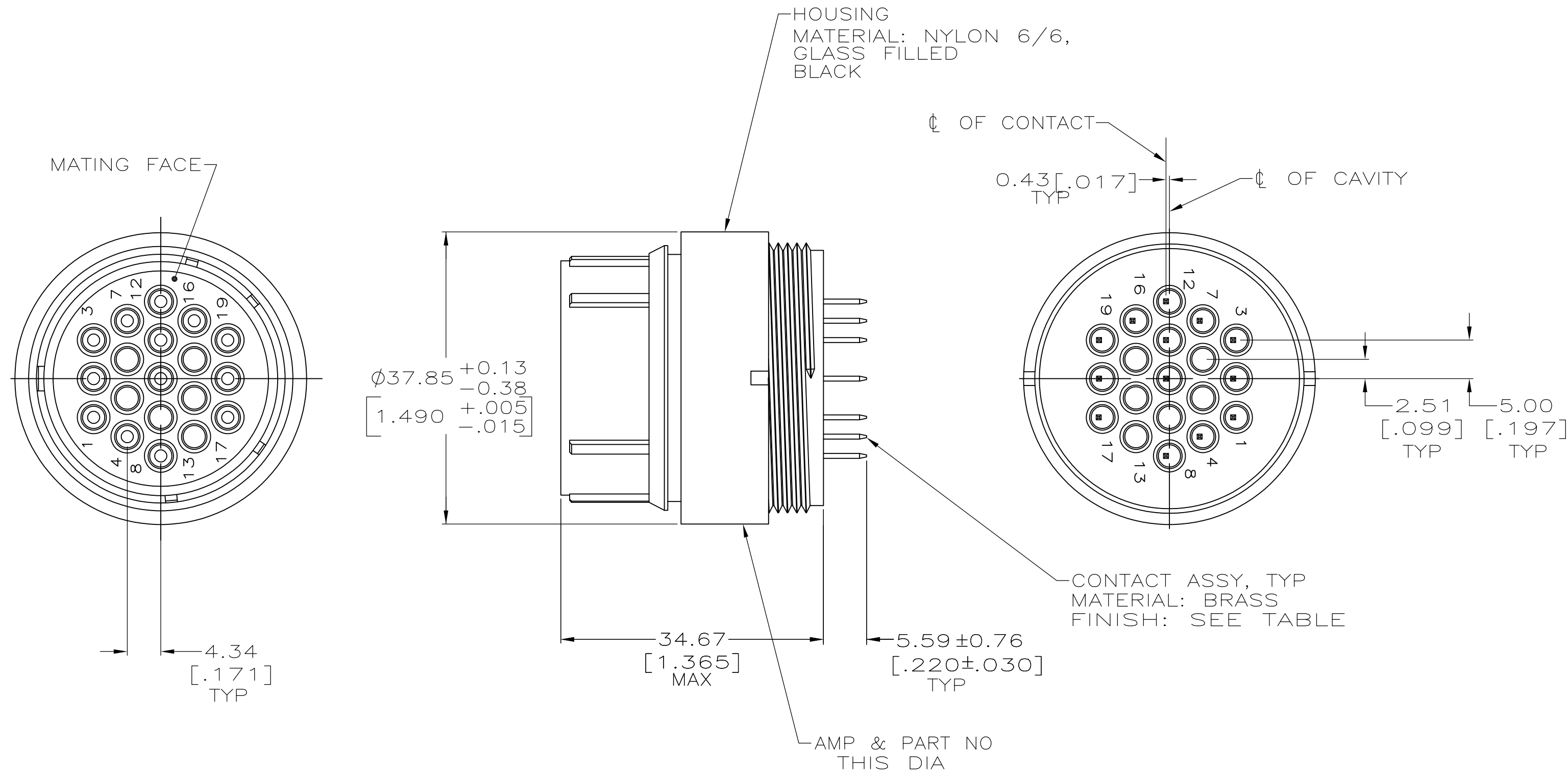


THIS DRAWING IS UNPUBLISHED. RELEASED FOR PUBLICATION
 © COPYRIGHT BY TYCO ELECTRONICS CORPORATION. ALL RIGHTS RESERVED.

LOC	DIST	REVISIONS					
FT	0	P	LTR	DESCRIPTION	DATE	DWN	APVD
		B		REVISED PER 0G3B-0100-05	5/3/05	SS	HW
		B1		REVISED PER ECO-09-022908	08OCT09	KK	AEG



- CONTACT CAVITIES IDENTIFIED BY CHARACTERS ON FRONT AND REAR FACES OF CONNECTOR.
- SELECTIVELY LOADED POSITIONS 1 THRU 4, 7, 8, 10, 11, 12, 16 THRU 19.
- 2.54um [.000010] MIN TIN-LEAD OVER 1.27um [.000050] MIN NICKEL.
- 2.54um [.000010] MIN TIN OVER 1.27um [.000050] MIN NICKEL.
- OBSOLETE PARTS: OBSOLETE CIS STREAMLINING PER D.RENAUD/D.SINISI

5 OBSOLETE	4	1 788107 1
	3	788107-1
	CONTACT FINISH	PART NO.

THIS DRAWING IS A CONTROLLED DOCUMENT.		DWN 17 DEC 97 P. BENNINGHOVE	Tyco Electronics Corporation Harrisburg, Pa 17105-3608	
DIMENSIONS: mm [INCHES]		CHK 6 JAN 98 R. STONE	NAME PLUG ASSY, SHELL SIZE 23, REVERSE SEX, SPECIAL VDE, CPC	
TOLERANCES UNLESS OTHERWISE SPECIFIED:		APVD 6 JAN 98 K. DOWHOWER	PRODUCT SPEC 108-10024	
0 PLC ± -		APPLICATION SPEC 114-10038		
1 PLC ± -		SIZE CAGE CODE DRAWING NO RESTRICTED TO		
2 PLC ± 0.13 [.005]		A2 00779 C=788107		
3 PLC ± -		SCALE 2:1 SHEET 1 OF 1 REV B1		
4 PLC ± -		CUSTOMER DRAWING		
ANGLES ± -				
FINISH				
SEE CALLOUTS				