

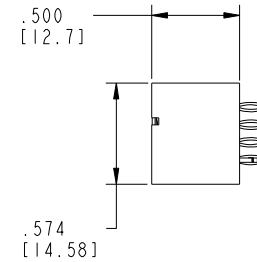
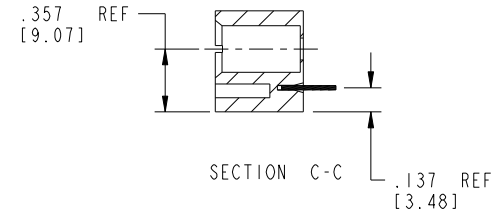
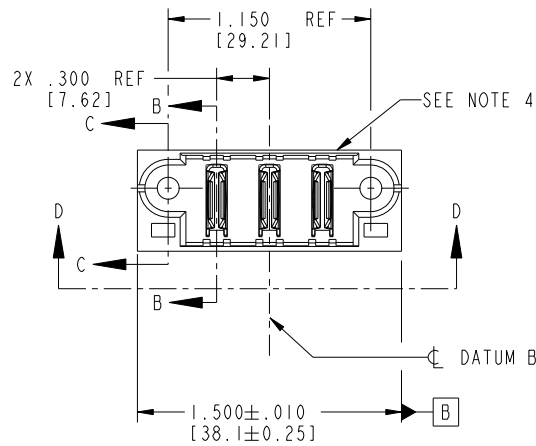


All rights strictly reserved. Reproduction or issue to third parties in any form whatever is not permitted without written authority from the proprietor. Property of FCI. Copyright FCI.

Tous droits strictement reserves. Reproduction ou communication a des tiers interalle sous quelque forme que ce soit sans autorisation ecrite du propriétaire. Propriete de c FCI. Droits de reproduction FCI.

CODE	DIM "M" MATING LENGTH		CONTACT TYPE
PC	[N/A]	[N/A]	POWER
HA	N/A	[N/A]	HOLD-DOWN

PRODUCT NO.	POWER				
	E1	P1	P2	P3	E2
51916-001 NOTE: ③		PC	PC	PC	



mat'l code				SEE NOTE 2		tolerances unless otherwise specified		CUSTOMER		www.fciconnect.com	
ltr	ecn no.	dr	date	linear	.XX±.01/0.X±0.3		COPY		title 3P VERTICAL PRESS-FIT HEADER		
A	V20405	DAI	02/26/02		.XXX±.005/0.XX±0.13		projection				
B	V21104	TAB	10/02/02	angles	.XXX±.002/0.XXX±0.051				product family PwrBlade code 213		
C	DG05-0227	SJ	07/15/05		0°+2°		INCH/MM				
D	DG06-0005	JMG	01/07/06	dr	D. INGRAM	02/26/02	scale		size A 51916-001 sheet 1 of 4		
E	DG08-0273	WD	12/10/08	enr	J. SWAIN	02/26/02	1:1				
				chr	J. SWAIN	02/26/02					
				appd	J. SWAIN	02/26/02					
sheet index		revision sheet		E	E	E	E				
				1	2	3	4				

cage code 22526

Pro/E

Tous droits strictement reserves. Reproduction ou communication a des tiers interdite sous quelque forme que ce soit sans autorisation écrite du propriétaire. Propriete de c FCI. Droits de reproduction FCI.



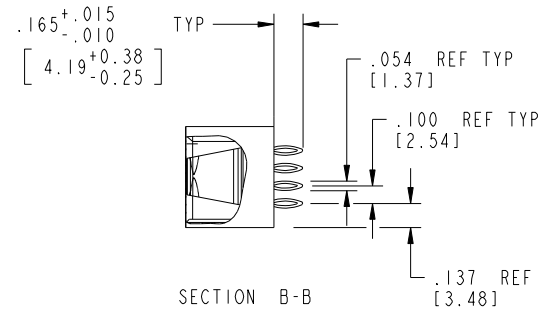
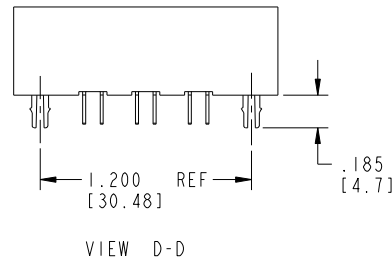
All rights strictly reserved. Reproduction or issue to third parties in any form whatsoever is not permitted without written authority from the proprietor. Property of FCI. Copyright FCI.

PRODUCT NUMBER  
51916-001--  
NOTE: ③

1 | 2

3 |

4



mat'l code		SEE NOTE 2		tolerances unless otherwise specified		CUSTOMER		www.fciconnect.com	
ltr	ecn no.	dr	date	linear	.XX±.01/0.X±0.3		COPY		title
E					.XXX±.005/0.XX±0.13		projection		
				angles	.XXX±.0020/0.XXX±0.051				VERTICAL PRESS-FIT HEADER
					0°+2°				product family
				dr	D. INGRAM	02/26/02	INCH/MM		PwrBlade
				enr	J. SWAIN	02/26/02	scale		code
				chr	J. SWAIN	02/26/02	1:1		213
				appd	J. SWAIN	02/26/02	A		51916-001
sheet index		revision sheet						size	
								dwg no	
								2	

1 | 2

Pro/E

3 |

cage code 22526

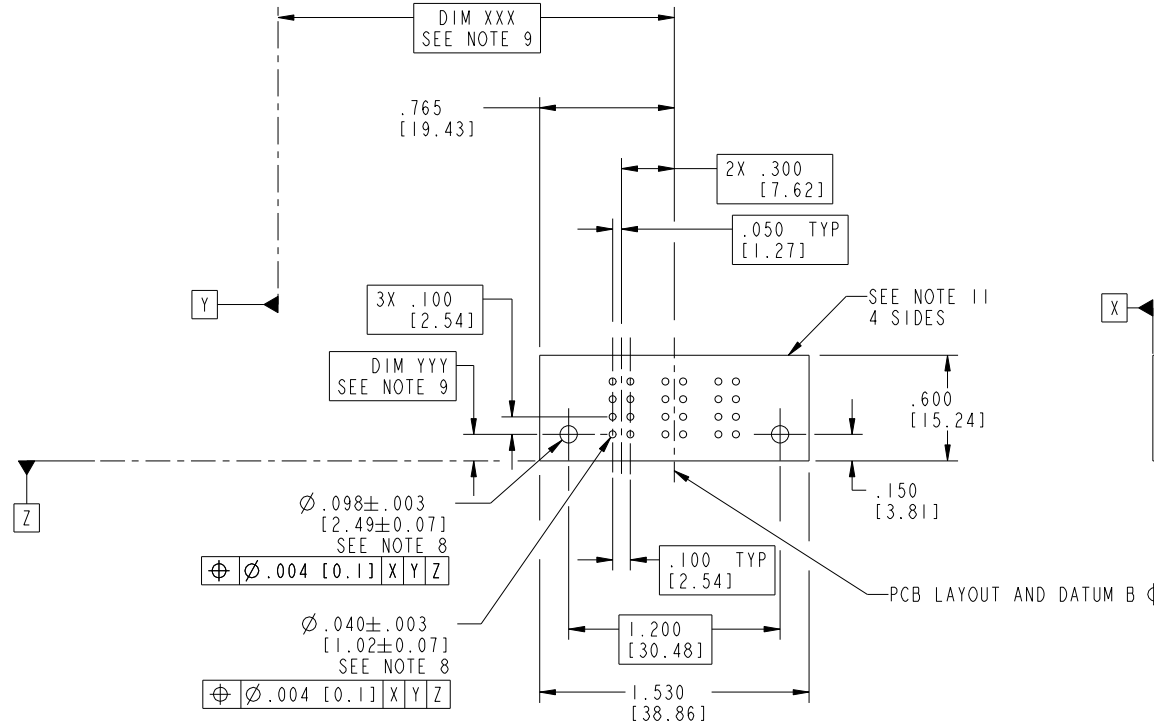
4

Tous droits strictement reserves. Reproduction ou communication a des tiers interdite sous quelque forme que ce soit sans autorisation écrite du propriétaire. Propriete de c FCI. Droits de reproduction FCI.



All rights strictly reserved. Reproduction or issue to third parties in any form whatsoever is not permitted without written authority from the proprietor. Property of FCI. Copyright FCI.

PRODUCT NUMBER  
51916-001--  
NOTE: ③



mat'l code		SEE NOTE 2		tolerances unless otherwise specified		CUSTOMER		FCI		www.fciconnect.com	
lfr	ecn no.	dr	date	linear	.XX±.01/0.X±0.3	COPY		projection		title	
E					.XXX±.005/0.XX±0.13	INCH/MM		3P		VERTICAL PRESS-FIT HEADER	
				angles	.XXX±.002/0.XXX±0.051	1:1		product family		code	
				dr	0°±2°	A		PwrBlade		213	
				enr	D. INGRAM 02/26/02	A		size		sheet	
				chr	J. SWAIN 02/26/02	A		dwg no		3	
				appd	J. SWAIN 02/26/02	A		51916-001			
sheet index	revision sheet										

Pro/E

cage code 22526

Tous droits strictement reserves. Reproduction ou communication a des tiers interdite sous quelque forme que ce soit sans autorisation écrite du propriétaire. Propriete de c FCI. Droits de reproduction FCI.



All rights strictly reserved. Reproduction or issue to third parties in any form whatever is not permitted without written authority from the proprietor. Property of FCI. Copyright FCI.

PRODUCT NUMBER  
51916-001--  
NOTE: ③

NOTES:

1. DIMENSIONS AND TOLERANCES ARE IN ACCORDANCE WITH ASME Y14.5M, 1994 UNLESS OTHERWISE SPECIFIED.

CONNECTOR NOTES:

2. HOUSING MATERIAL: UL 94 V-0 GLASS FILLED HIGH TEMP THERMO PLASTIC  
POWER CONTACT MATERIAL: COPPER ALLOY  
SIGNAL PIN MATERIAL: COPPER ALLOY

③ 3. SEE ITEM 3 & 4 IN PRINT 10064183 FOR PLATING SPEC OF 51916-001 AND 51916-001LF RESPECTIVELY.

4. "MANUFACTURER" NAME, P/N, AND DATE CODE TO APPEAR ON THIS SURFACE.

5. PRODUCT SPECIFICATION GS-12-149.

PCB NOTES:

6. ALL HOLE DIAMETERS ARE FINISHED HOLE SIZE.

7. MOUNTING HOLES ARE UNPLATED.

8.  $\varnothing .0453 \pm 0.0010$  [1.151  $\pm$  0.025] DRILLED HOLES PLATED WITH 0.0003 [0.008] MIN SnPb OVER .001 [0.03] TO .003 [0.08] Cu PLATING TO ACHIEVE  $\varnothing .040 \pm .003$  [1.02  $\pm$  .07] HOLE.

9. "DIM XXX" AND "YYY" TO BE DETERMINED BY THE CUSTOMER.

10. FOR PRESS FIT APPLICATION USE FCI CAM TOOL 430169-XXX.

11. CONNECTOR KEEP-OUT ZONE

12. A  $\Delta$  SYMBOL WILL BE NEXT TO ANY DIMENSION, VIEW, OR NOTE WHICH HAS BEEN MODIFIED WITH THE CURRENT DRAWING REVISION.

mat'l code		SEE NOTE 2		tolerances unless otherwise specified		CUSTOMER				www.fciconnect.com	
ltr	ecn no.	dr	date	linear	.XX+.01/0.X+.0.3		COPY		title 3P VERTICAL PRESS-FIT HEADER		
E					.XXX+.005/0.XX+.0.13		projection				
				angles	.XXX+.0020/0.XXX+.0.051		INCH/MM		product family		code
					0°+2°				PwrBlade		213
				dr	D. INGRAM	02/26/02	scale		size	dwg no	sheet
				enr	J. SWAIN	02/26/02	1:1		A	51916-001	4
				chr	J. SWAIN	02/26/02					
				appd	J. SWAIN	02/26/02					
sheet index	revision sheet										

cage code 22526