

DO NOT SCALE DRAWING
DIMENSION IN METRIC

B

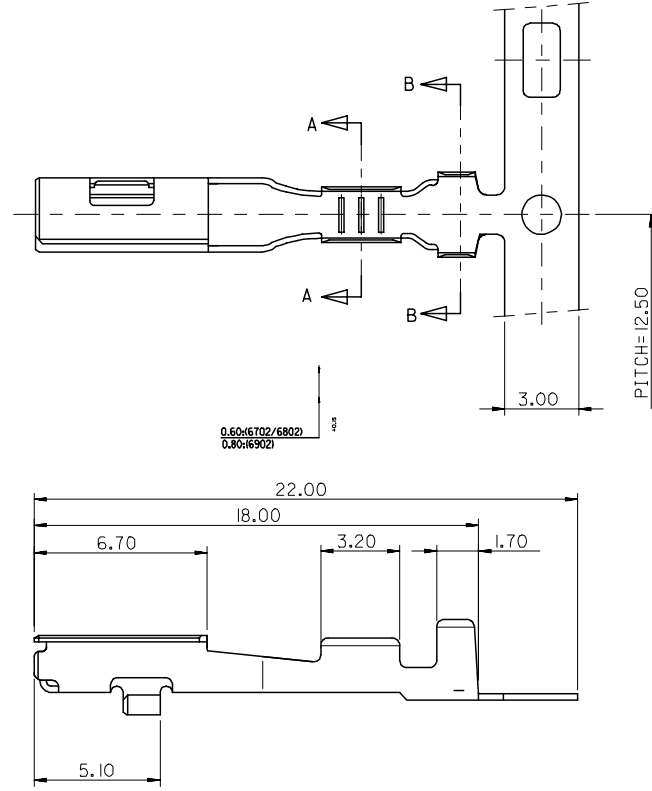
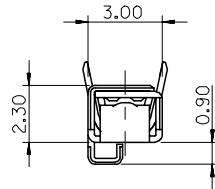
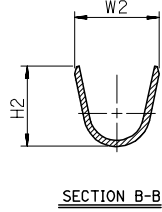
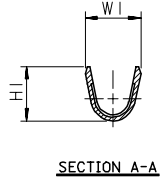
C

PROJECT NO.

SIMILAR ITEM

DWG. IO.
SD-3542I-001

ENG.NO	DESCRIPTION	DIMENSION				WIRE RANGE mm ²
		W1	H1	W2	H2	
3542I-6702	UNICONN FEMALE TERMINAL (S)	2.1	2.2	3.4	3.25	AVS(CAVS) 0.3,0.5
3542I-6802	UNICONN FEMALE TERMINAL (M)	2.6	2.95	4.0	3.8	AVS(CAVS) 0.5,0.85,1.25
3542I-6902	UNICONN FEMALE TERMINAL (L)	3.6	4.0	4.3	3.9	AVSS 2f



NOTE
 1. MATERIAL : COPPER ALLOY, ± 0.25 .
 2. FINISH : PRE-TIN PLATE.
 3. INSERTION-EXTRACTION FORCE WITH TAB TERMINAL P/N 35420.
 INSERTION FORCE : 0.30 ± 1.0 Kgf.
 AFTER SIX TIMES OF INSERTION & EXTRACTION FORCE : 0.15 ± 1.0 Kgf.

REVISED
 EC NO. KOR2005-0169
 DRAWN: S.M.KIM 05/02/28
 CHK: B.C.YOON 05/02/28
 APPR: C.W.LEE

DESCRIPTION
 REV

QUALITY SYMBOLS
 MAJOR =
 CRITICAL =

GENERAL TOLERANCES:
(UNLESS SPECIFIED)

	mm	INCH
4 PLACES	$\pm 0.$	\pm
3 PLACES	$\pm 0.$	\pm
2 PLACES	$\pm 0.$	\pm
1 PLACE	± 0.3	\pm

ANGULAR: \pm | °

DRAFT WHERE APPLICABLE MUST
REMAIN WITHIN DIMENSIONS

SCALE 5:1
 DESIGN UNITS MM INCH
 THIRD ANGLE PROJECTION

DRAWN BY & DATE
Y.SIK.KIM 97/12/03

CHECKED BY & DATE
B.K.CHOI 97/12/03

APPROVED BY & DATE
C.W.LEE 97/12/03

CAD FILENAME
SD3542I.DGN

DIMENSIONS:
 mm INCH mm ONLY

SHT REV
 REVISE ON CAD ONLY

TITLE:
UNICONN FEMALE TERMINAL

MOLEX INCORPORATED

MATERIAL NO. SEE TABLE
 DRAWING NO. SD-3542I-001
 SHEET NO. 10F1

THIS DRAWING CONTAINS INFORMATION THAT IS PROPRIETARY TO MOLEX INCORPORATED AND SHOULD NOT BE USED WITHOUT WRITTEN PERMISSION.

SIZE B

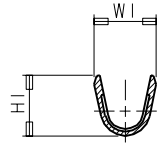
MX-A3

ENG. NO.

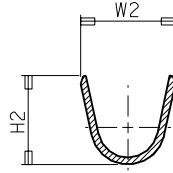
EDP NO.

SIMILAR ITEM

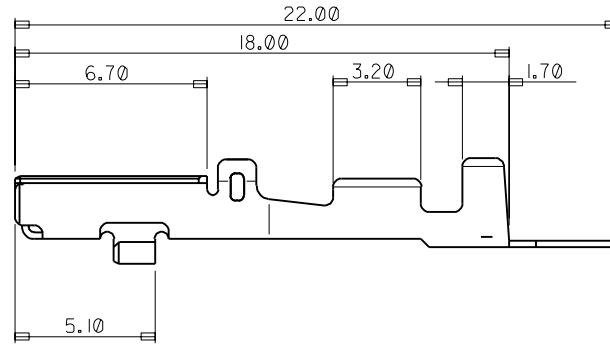
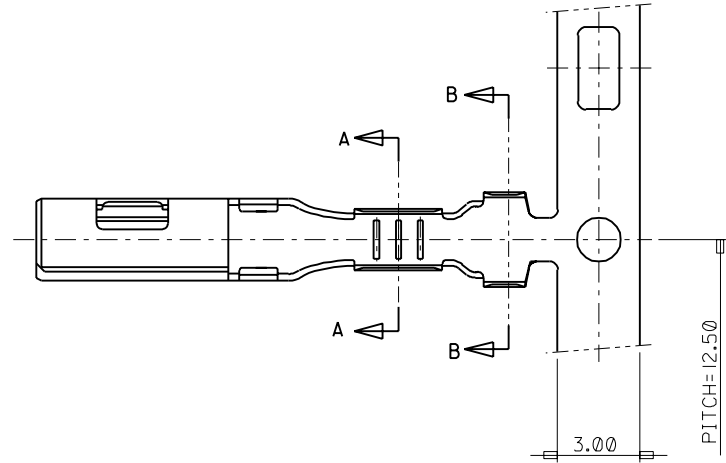
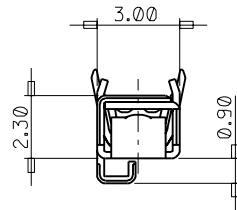
PROJECT NO.



SECTION A-A



SECTION B-B



ENG.NO	DESCRIPTION	DIMENSION				WIRE RANGE mm ²
		W1	H1	W2	H2	
35421-6702	UNICONN FEMALE TERMINAL (S)	2.1	2.2	3.4	3.25	AVS(CAVS) 0.3,0.5
35421-6802	UNICONN FEMALE TERMINAL (M)	2.6	2.95	4.0	3.8	AVS(CAVS) 0.5,0.85,1.25
35421-6902	UNICONN FEMALE TERMINAL (L)	3.6	4.0	4.3	3.9	AVSS 2f

				MATERIAL PRE-TIN PLATED COPPER ALLOY 0.25t		MOLEX-KOREA CO.,LTD.	
				GENERAL TOLERANCE DIMENSION : +0.30 ANGLE :		DRAWN BY Y.SIK,KIM	CHK'D BY
				DIMENSION CLASSIFICATION ▽ : CRITICAL ▼ : MAJOR () : REFERENCE		APP'D BY	SCALE 6:1
A	NEW RELEASE	KOR 97-0162	97.12.03	ASS'Y PART		TITLE : UNICONN FEMALE TERMINAL	
LTR	REVISION RECORD	ECN	DATE	DESCRIPTION ENG. NO.		SHEET 1/1	
REVISE ONLY ON CAD SYSTEM						ENG. NO. SD 35421-6*02 REV A	