

# Splice box - FOC-SB-FR19:1U-LCD24-OM2 GY - 1418816

Please be informed that the data shown in this PDF Document is generated from our Online Catalog. Please find the complete data in the user's documentation. Our General Terms of Use for Downloads are valid (<http://phoenixcontact.com/download>)

19" splice box, gray, 1 RU, fully pre-assembled ready to splice, for 24 x LC duplex OM2



19" splice box, gray, 24 x LC duplex OM2

## Product Description

19" FDX 20 series splice boxes, 1 RU, with removable drawer, for 24x LC duplex OM2, gray, completely ready to splice (correctly pre-mounted: 24 ceramic couplings, 48 pigtails, 4 cassettes, 8 combs, 1 cassette cover, and 48x shrink splice protectors). 4 cable entries (rear) incl. 4 M20 cable glands, measurement protocol and 19" mounting set.

## Why buy this product

- removable drawer with quick release
- easy to remove drawer
- high-quality individual components
- 100% control including measurement protocol
- fully prepared ready to splice
- 4 cable entries including 4 cable glands
- including 19" mounting set
- including shrink splice protection
- easy to install



## Key Commercial Data

|              |               |
|--------------|---------------|
| Packing unit | 1 STK         |
| GTIN         |               |
| GTIN         | 4055626151700 |

## Technical data

### Mechanical characteristics

|                    |               |
|--------------------|---------------|
| Number of slots    | 24            |
| Connection profile | LC connectors |
| Locking type       | Push Pull     |

# Splice box - FOC-SB-FR19:1U-LCD24-OM2 GY - 1418816

## Technical data

### Mechanical characteristics

|                             |                     |
|-----------------------------|---------------------|
| Fiber type                  | GOF                 |
| Ferrule diameter            | 1.25 mm             |
| Insertion/withdrawal cycles | min. 1000           |
| Connection method           | Splicing            |
| Type of cable               | Loose Tube          |
| Color                       | light grey RAL 7035 |
| Mounting type               | Screw mounting      |
| Degree of protection        | IP20                |
| Type                        | 1 HE                |
| No. of cable outlets        | 4                   |

### Ambient conditions

|                                 |                  |
|---------------------------------|------------------|
| Ambient temperature (operation) | -10 °C ... 60 °C |
| Degree of protection            | IP20             |

### Material data

|  |                     |
|--|---------------------|
| Flammability rating according to UL 94 | V0                  |
| Housing material                       | Sheet steel         |
| Housing surface material               | Powder-coated, gray |
| Ferrule material                       | Zirconia ceramics   |
| Housing width                          | 441 mm              |
| Depth                                  | 329 mm              |
| Height                                 | 43.8 mm             |

### Standards and Regulations

|  |    |
|--|----|
| Flammability rating according to UL 94 | V0 |
|--|----|

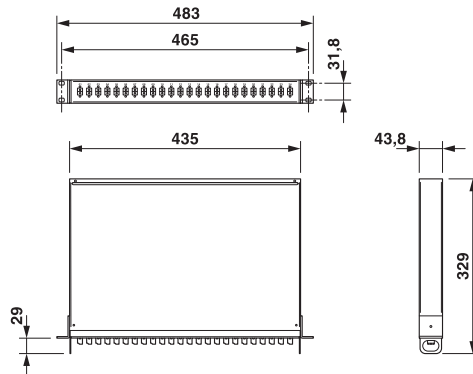
### Environmental Product Compliance

|            |   |
|------------|---|
| China RoHS | Environmentally friendly use period: unlimited = EFUP-e |
|            | No hazardous substances above threshold values          |

## Drawings

## Splice box - FOC-SB-FR19:1U-LCD24-OM2 GY - 1418816

Dimensional drawing



Phoenix Contact 2018 © - all rights reserved  
<http://www.phoenixcontact.com>

PHOENIX CONTACT GmbH & Co. KG  
Flachsmarktstr. 8  
32825 Blomberg  
Germany  
Tel. +49 5235 300  
Fax +49 5235 3 41200  
<http://www.phoenixcontact.com>