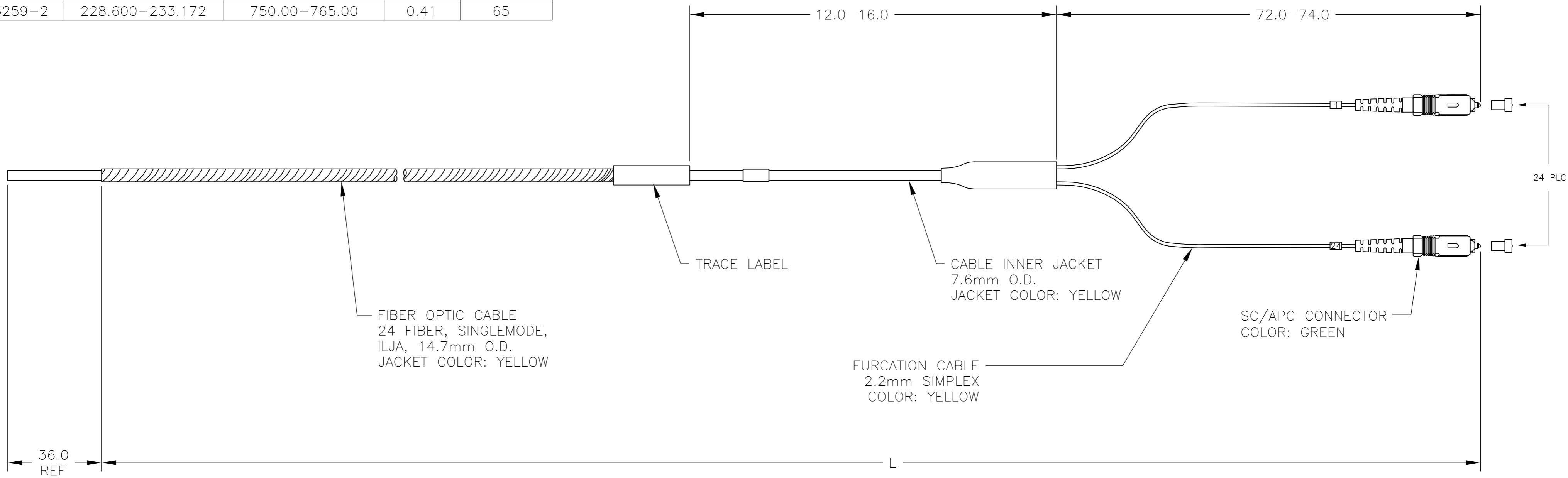


THIS DRAWING IS UNPUBLISHED. RELEASED FOR PUBLICATION  
 © COPYRIGHT - By - ALL RIGHTS RESERVED.

LOC	DIST	REVISIONS			
P	LTR	DESCRIPTION	DATE	DWN	APVD
HP	00				
B		REVISE PER ECO-14-009265	19JUN2014	JM	JS

PART NUMBER	L (METERS)	CUT LENGTH (METERS)	SC/APC, GREEN						
			IL (dB)	RL (dB)					
2193259-1	30.480-31.394	100.00-103.00	0.32	65					
2193259-2	60.960-62.179	200.00-204.00	0.33	65					
2193259-3	91.400-93.268	300.00-306.00	0.35	65					
2193259-5	152.400-155.448	500.00-510.00	0.38	65					
1-2193259-0	304.800-310.896	1000.00-1020.00	0.45	65					
8-2193259-9	15.240-15.850	50.00-52.00	0.31	65					
9-2193259-0	45.720-46.634	150.00-153.00	0.32	65 </tr <tr> <td>9-2193259-2</td> <td>228.600-233.172</td> <td>750.00-765.00</td> <td>0.41</td> <td>65</td> </tr>	9-2193259-2	228.600-233.172	750.00-765.00	0.41	65
9-2193259-2	228.600-233.172	750.00-765.00	0.41	65					



1. INSERTION LOSS TESTED AT 1310nm and 1550nm.

2. SC/APC CONNECTORS WILL BE ON INSIDE OF REEL. PULL ON STUB END OF CABLE

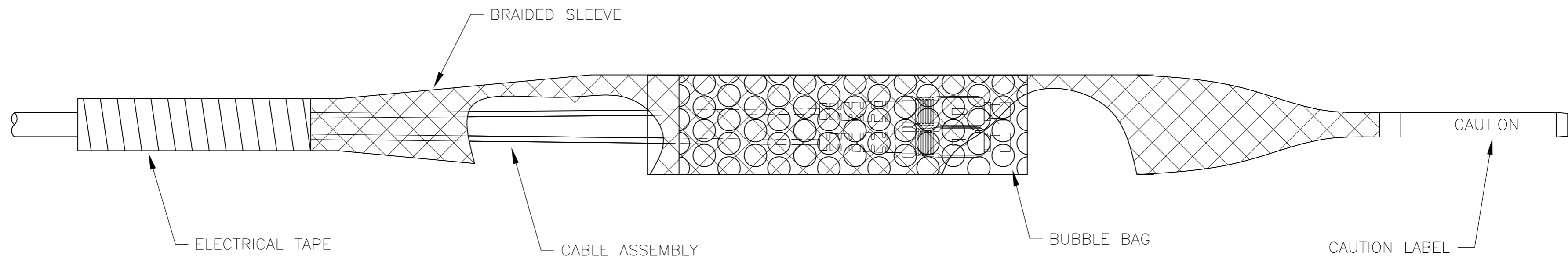
3. TEST DATA IS INCLUDED WITH EACH CABLE ASSEMBLY

4. PRODUCT AND PROCESSING MUST MEET REQUIREMENTS OF TE STANDARD TEC-138-702.

THIS DRAWING IS A CONTROLLED DOCUMENT.		DWN	J. SHIPE	19FEB2014		TE Connectivity																	
DIMENSIONS: INCHES		CHK	J. SHIPE	19FEB2014		NAME																	
TOLERANCES UNLESS OTHERWISE SPECIFIED:		APVD	J. SHIPE	19FEB2014		PIGTAIL, FIBER OPTIC, 24 FIBER SINGLEMODE, ILJA, OFCP CABLE, SC/APC																	
<table border="1"> <tr><td>0 PLC</td><td>±</td><td>-</td></tr> <tr><td>1 PLC</td><td>±</td><td>-</td></tr> <tr><td>2 PLC</td><td>±</td><td>-</td></tr> <tr><td>3 PLC</td><td>±</td><td>-</td></tr> <tr><td>4 PLC</td><td>±</td><td>-</td></tr> <tr><td>ANGLES</td><td>±</td><td>-</td></tr> </table>		0 PLC	±	-		1 PLC	±	-	2 PLC	±	-	3 PLC	±	-	4 PLC	±	-	ANGLES	±	-	PRODUCT SPEC	-	
0 PLC	±	-																					
1 PLC	±	-																					
2 PLC	±	-																					
3 PLC	±	-																					
4 PLC	±	-																					
ANGLES	±	-																					
MATERIAL	FINISH	WEIGHT	-		SIZE	A2	CAGE CODE	00779	DRAWING NO	C=2193259	RESTRICTED TO	-											
CUSTOMER DRAWING					SCALE	NTS	SHEET	1 OF 2	REV	B													

THIS DRAWING IS UNPUBLISHED. RELEASED FOR PUBLICATION  
 © COPYRIGHT - By - ALL RIGHTS RESERVED.

LOC	DIST	REVISIONS			
P	LTR	DESCRIPTION	DATE	DWN	APVD
HP	00	SEE SHEET 1	-	-	-



△ PROTECTIVE COVER  
 BOTTOM END

2193259

THIS DRAWING IS A CONTROLLED DOCUMENT.		DWN	J. SHIPE	19FEB2014		TE Connectivity			
DIMENSIONS: INCHES		CHK	J. SHIPE	19FEB2014		NAME			
		APVD	J. SHIPE	19FEB2014		PIGTAIL, FIBER OPTIC, 24 FIBER SINGLEMODE, ILJA, OFCP CABLE, SC/APC			
TOLERANCES UNLESS OTHERWISE SPECIFIED:		PRODUCT SPEC	APPLICATION SPEC			SIZE	CAGE CODE	DRAWING NO	RESTRICTED TO
0 PLC ± -		WEIGHT	-			A2	00779	C=2193259	-
1 PLC ± -		CUSTOMER DRAWING		SCALE	NTS	SHEET	2 OF 2	REV	B
2 PLC ± -									
3 PLC ± -									
4 PLC ± -									
ANGLES ± -									
MATERIAL									
FINISH									