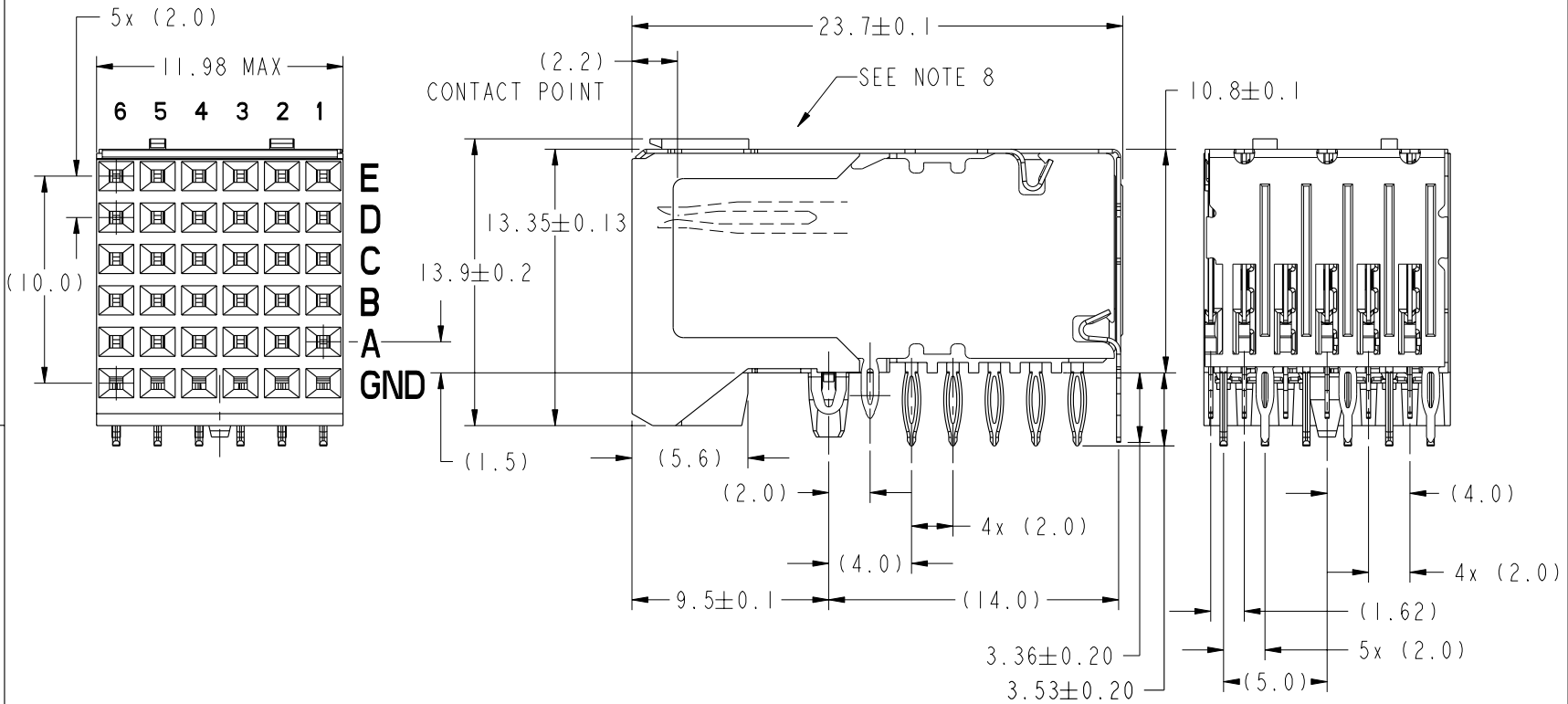


| PRODUCT NUMBER | PLATING PERFORMANCE LEVEL | PRESS-FIT TAIL PLATING |
|----------------|---------------------------|------------------------|
| 10041743-101   | TELCORDIA CO              | SnPb                   |
| 10041743-101LF | TELCORDIA CO              | Sn                     |
| 10041743-301   | CUSTOMER SPECIAL          | SnPb                   |
| 10041743-301LF | CUSTOMER SPECIAL          | Sn                     |



| mat'l code |          |     |            | tolerances unless otherwise specified |              | CUSTOMER   | FCI                           |             |
|------------|----------|-----|------------|---------------------------------------|--------------|------------|-------------------------------|-------------|
| SEE NOTE 2 |          |     |            | 0.X ±0.3                              |              | COPY       | www.fciconnect.com            |             |
| ltr        | ecm no.  | dr  | date       | linear                                | 0.XX ±0.10   | projection | title                         |             |
| A          | V04-0539 | TAB | 2004-06-02 | angles                                | 0.XXX ±0.050 |            | RIGHT ANGLE SIGNAL RECEPTACLE |             |
| B          | V04-0663 | TAB | 2004-07-02 |                                       | 0° ±2°       |            | 5 ROW P.F. 30 POSITION        |             |
| C          | V05-0772 | VS  | 2005-08-29 | dr                                    | T. BRUNGARD  | 2004-06-02 | product family                | METRAL 1000 |
| D          | V06-0573 | DCH | 2006-06-14 | enrg                                  | J. VOLSTORF  | 2004-06-02 | code                          | 213         |
| E          | V07-0129 | TAB | 2007-04-12 | chr                                   | J. VOLSTORF  | 2004-06-02 | size                          | dwg no      |
| F          | V07-0352 | HTB | 2007-06-05 | appd                                  | J. VOLSTORF  | 2004-06-02 | size                          | 10041743    |
| G          | V08-0087 | HTB | 2008-02-07 |                                       | J. VOLSTORF  | 2004-06-02 | sheet                         | 1 of 3      |
| sheet      | revision | G   | G          | G                                     |              |            |                               |             |
| index      | sheet    | 1   | 2          | 3                                     |              |            |                               |             |

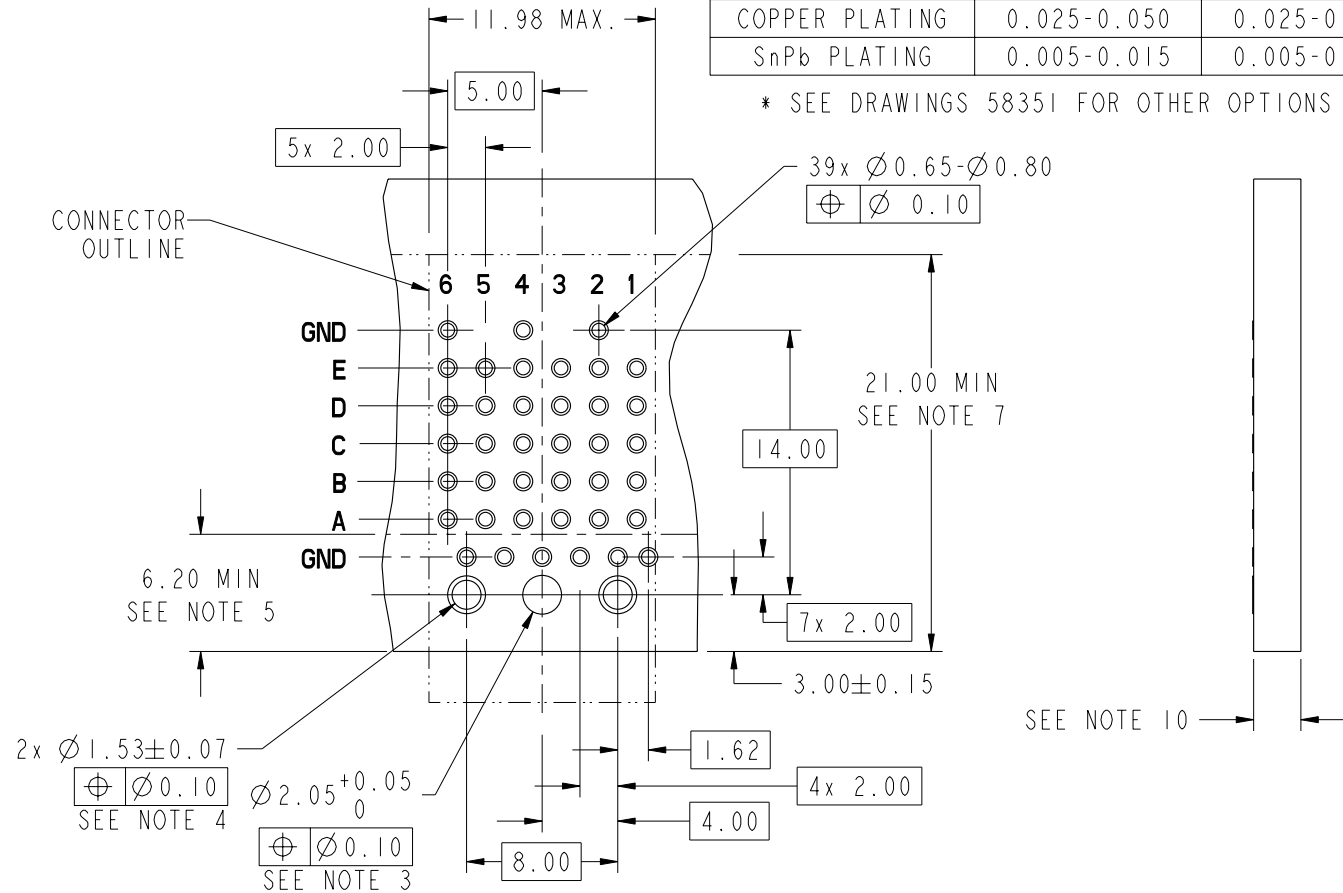


This document is the property of and embodies CONFIDENTIAL and PROPRIETARY information of FCI. No part of the information shown on this document may be used in any way or disclosed to others without the written consent of FCI. Copyright FCI.

PRODUCT NUMBER  
SEE SHEET 1

| PRESS-FIT HOLES             |  |  |
|-----------------------------|--|--|
| HOLE DIAMETER AFTER PLATING | $\varnothing 0.65 - \varnothing 0.80$<br>*                           | $\varnothing 1.53$   |
| DRILLED HOLE                | $\varnothing 0.81 - \varnothing 0.86$<br>( $\varnothing 0.85$ DRILL) | $\varnothing 1.61 - \varnothing 1.66$<br>( $\varnothing 1.65$ DRILL) |
| COPPER PLATING              | 0.025-0.050  | 0.025-0.050  |
| SnPb PLATING                | 0.005-0.015  | 0.005-0.015  |

\* SEE DRAWINGS 58351 FOR OTHER OPTIONS



RECOMMENDED PCB HOLE  
PATTERN-COMPONENT SIDE

|                          |                |    |      |  |                        |            |   |  |
|--------------------------|----------------|----|------|--|------------------------|------------|---|--|
| mat'l code<br>SEE NOTE 2 |                |    |      | tolerances unless<br>otherwise specified |                        | CUSTOMER   | FCj<br>www.fciconnect.com                               |  |
| ltr                      | ecn no.        | dr | date | linear                                   | 0.X ± 0.3              | COPY       | title   |  |
| G                        |                |    |      | linear                                   | 0.XX ± 0.10            | projection | RIGHT ANGLE SIGNAL RECEPTACLE<br>5 ROW P.F. 30 POSITION |  |
|                          |                |    |      | angles                                   | 0.XXX ± 0.050          |            | product family METRAL 1000 code                         |  |
|                          |                |    |      | dr                                       | 0° ± 2°                | MM         | size  |  |
|                          |                |    |      | enr                                      | T. BRUNGARD 2004-06-02 | scale      | 10041743  |  |
|                          |                |    |      | chr                                      | J. VOLSTORF 2004-06-02 | 1:1        | sheet   |  |
|                          |                |    |      | appd                                     | J. VOLSTORF 2004-06-02 |            | 2   |  |
| sheet index              | revision sheet |    |      |  |                        |            | cage code   |  |
|                          |                |    |      |  |                        |            | 22526   |  |

This document is the property of and embodies  
CONFIDENTIAL and PROPRIETARY information of FCj.  
No part of the information shown on this  
document may be used in any way or disclosed  
to others without the written consent of FCj.  
Copyright FCj.

PRODUCT NUMBER  
SEE SHEET 1

NOTES

- 1. UNLESS OTHERWISE SPECIFIED ALL DIMENSIONS AND TOLERANCES ARE IN ACCORDANCE WITH ASME Y14.5M, 1994
- 2. HOUSING MATERIAL: LIQUID CRYSTAL POLYMER, GLASS FILLED  
FLAME RETARDANT PER UL94V-0  
GROUND SHIELD MATERIAL: COPPER ALLOY  
SIGNAL CONTACT MATERIAL: COPPER ALLOY
- 3. Ø2.05 HOLE IS UNPLATED
- 4. Ø1.53 PLATED HOLES (2X) ARE FOR GROUNDS
- 5. AVOID TRACES IN THIS AREA ON TOP OF PCB DUE TO EXPOSED GROUND SHIELD
- 6. UNDERPLATING FOR SHIELD AND SIGNAL CONTACTS IS 1.3 µm Ni MIN
- 7. COMPONENT KEEP OUT ZONE FOR PRESS BLOCK CLEARANCE
- 8. PRODUCT MARKING: PRODUCT NUMBER, DATE AND LOT CODE
- 9. SEE GS-20-017 FOR APPLICATION OF CONNECTOR TO PCB
- 10. PCB THICKNESS RANGE: 1.3mm TO 2.5mm
- 11. SEE PRODUCT SPECIFICATION GS-12-110 FOR PRODUCT PERFORMANCE CHARACTERISTICS.
- 12. PRODUCTS WHERE THE PART NUMBER ENDS IN LF MEET EUROPEAN UNION DIRECTIVES AND OTHER COUNTRY REGULATIONS AS DESCRIBED IN GS-22-008.  
ALL PRODUCTS WILL WITHSTAND EXPOSURE TO 260° FOR 60 SECONDS IN A CONVECTION, INFRA-RED OR VAPOR PHASE REFLOW OVEN.

A


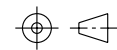

A



This document is the property of and embodies CONFIDENTIAL and PROPRIETARY information of FCI. No part of the information shown on this document may be used in any way or disclosed to others without the written consent of FCI. Copyright FCI.

B

B

|                          |                |    |      |                                       |              |            |  |  |          |             |       |
|--------------------------|----------------|----|------|---------------------------------------|--------------|------------|--|--|----------|-------------|-------|
| mat'l code<br>SEE NOTE 2 |                |    |      | tolerances unless otherwise specified |              | CUSTOMER   |  <a href="http://www.fciconnect.com">www.fciconnect.com</a> |  |          |             |       |
| ltr                      | ecn no.        | dr | date | linear                                | 0.X ±0.3     | COPY       | projection   |  title<br>RIGHT ANGLE SIGNAL RECEPTACLE<br>5 ROW P.F. 30 POSITION |          |             |       |
| G                        |                |    |      |                                       | 0.XX ±0.10   |            |  |  |          |             |       |
|                          |                |    |      |                                       | 0.XXX ±0.050 |            |  |  |          |             |       |
|                          |                |    |      | angles                                | 0° ±2°       |            |  | product family   |          | METRAL 1000 | code  |
|                          |                |    |      | dr                                    | T. BRUNGARD  | 2004-06-02 |  scale<br>3:1   | size   | dwg no   | 213         | sheet |
|                          |                |    |      | enr                                   | J. VOLSTORF  | 2004-06-02 |  | A  | 10041743 |             |       |
|                          |                |    |      | chr                                   | J. VOLSTORF  | 2004-06-02 |  |  |          |             |       |
|                          |                |    |      | appd                                  | J. VOLSTORF  | 2004-06-02 |  |  |          |             |       |
| sheet index              | revision sheet |    |      |                                       |              |            |  |  |          |             |       |