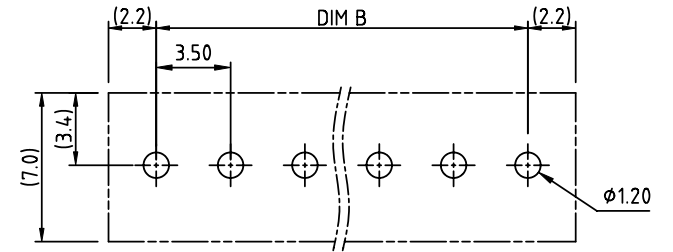
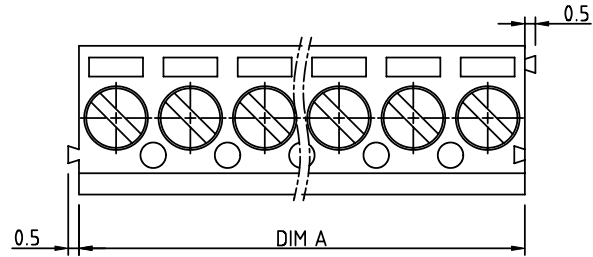
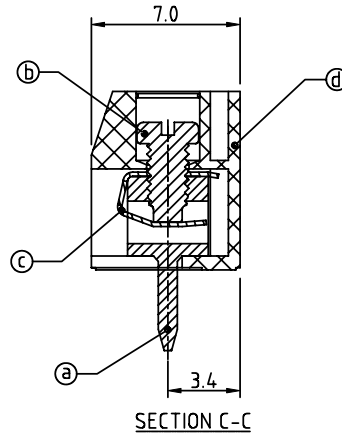
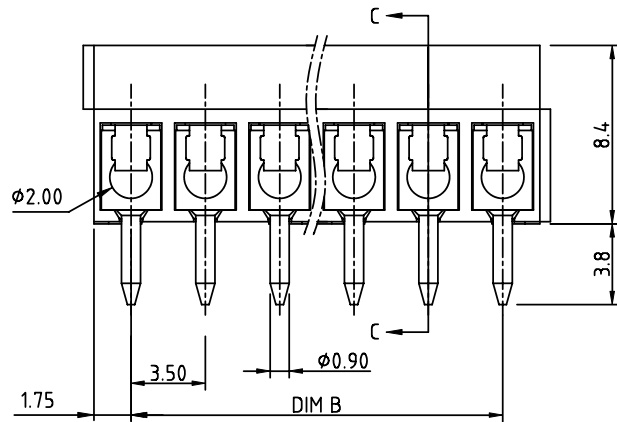


PRODUCT NUMBER	PITCH
TExx01x400J0G	3.50 mm



RECOMMENDED P.C.B LAYOUT
TOP VIEW



Material:

- Item ① Terminal body(metal housing): Brass(CuZn),Tin plated
- Item ② Terminal screw: Steel Zinc plating "-" slot type
- Item ③ Wire guard :stainless steel
- Item ④ Insulator (housing): Thermoplastic (UL94V-0)

Electrical cULus

- Voltage rating: 125V
- Current rating: 10A
- Wire range:
- Solid wire(AWG): 16-26
- Stranded wire(AWG): 16-26
- Torque: 1.7Lb-In
- Screw: M2
- Wire strip length: 5-6mm
- Withstanding Voltage: 1.25KV
- Operating temperature: -40°C to +115°C
- Soldering temperature: 260°C±5°C/5 Sec
- Safety Approval:

N = Number of poles
Dim A=Nx3.5
Dim B=(N-1)x3.5

Poles	Tolerance
4p-6p	±0.10
7p-12p	±0.15
13p-18p	±0.20
19p-24p	±0.30

PART NO.: TE xx 0 1 x 4 00J0 G

- | | | |
|--------------|---------------------|--|
| Solid block | Body Color | RoHS compliant
(lead<4%)
In copper Alloy |
| No. of poles | 0 Black (RAL9005) | |
| 04 4 poles | 2 Red (RAL3001/D) | |
| 05 5 poles | 3 Orange(RAL2011/P) | |
| | 4 Yellow(RAL1018/A) | |
| 24 24 poles | 5 Green(RAL6018/T) | |
| | 6 Blue (RAL5015/A) | |
| | 8 Grey(RAL7035/D) | |
| | 9 White(RAL1102) | |
| | C Green(RAL6018/U) | |

mat'l. code		surface ASME Y14.5	tolerance ASME Y14.5	projection 	product family TERMINAL BLOCK
ltr	ecn no	dr	date	tolerances unless otherwise specified	title TERMINAL BLOCK
				angles 	scale MM
				fil X*±1"	WIRE PROTECTOR,SOLID BLOCK,180D WIRE INLET
		dr	EVIN ZHONG	033114	dwg no
		enr	EVIN ZHONG	033114	sheet 1 of 1
		chr	HANKE FENG	033114	size A4
		appd	SHI JUN	033114	type CUSTOMER Drawing
sheet index	revision sheet	A	1		