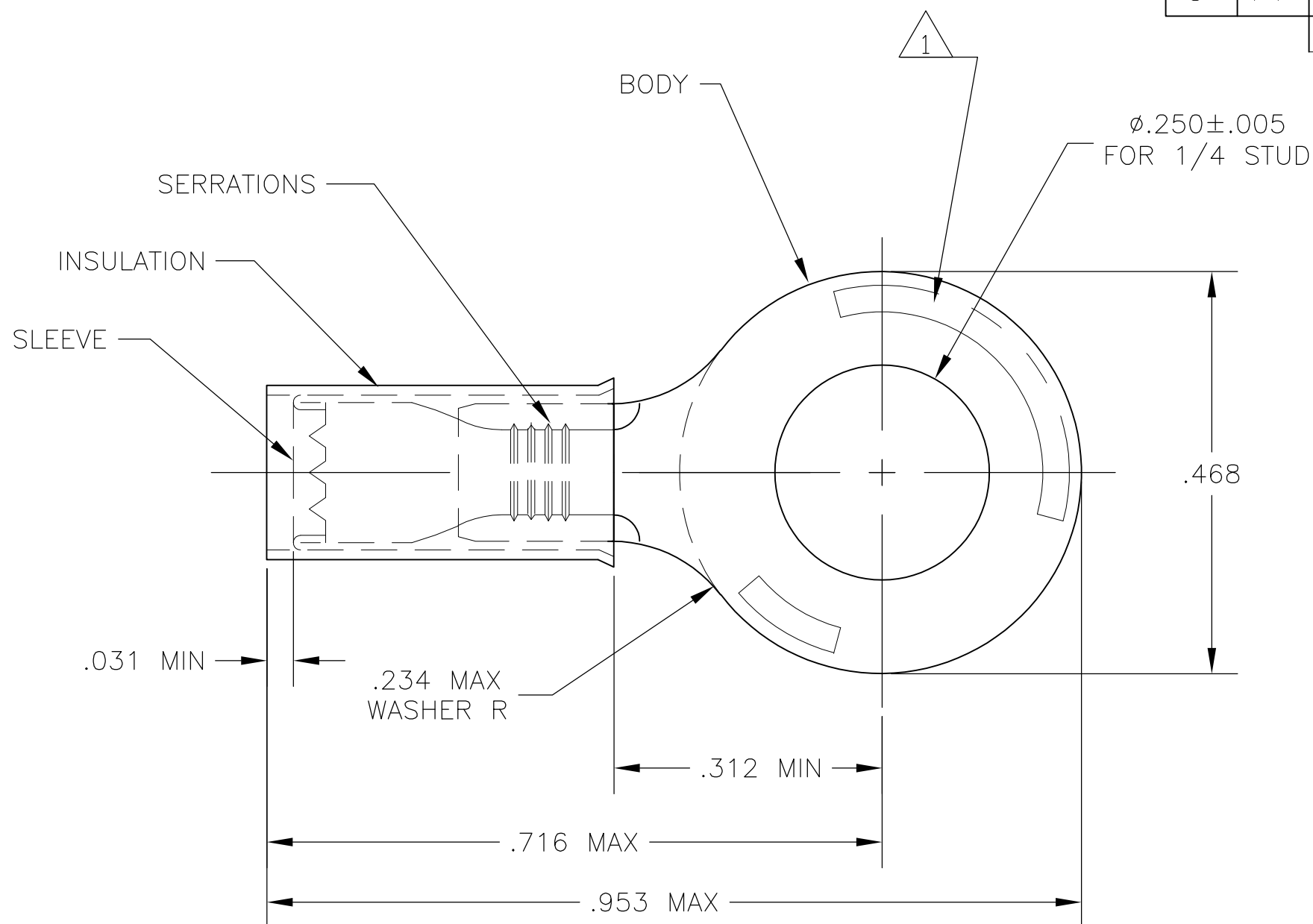


THIS DRAWING IS UNPUBLISHED. RELEASED FOR PUBLICATION
© COPYRIGHT BY TYCO ELECTRONICS CORPORATION. ALL INTERNATIONAL RIGHTS RESERVED.

LOC	DIST	REVISIONS					
G	14	P	LTR	DESCRIPTION	DATE	DWN	APVD
		F1		REDRAWN PER ECR 09-006116	17MAR09	JR	TM



- 1 FOR .115 TO .170 WIRE INSULATION DIA.
- 2 MATERIAL TONGUE THK IS .031±.002

OBSOLETE	35274 ON TAPE	INSULATION: NYLON, COLOR BLUE BODY & SLEEVE: COPPER PER ASTM B152 TIN PLATE PER ASTM B545	2-35274-1
	WIRE TERMINAL		35274
	DESCRIPTION	MATERIAL	PART NO

THIS DRAWING IS A CONTROLLED DOCUMENT.		DWN jr_ruth 17MAR09	Tyco Electronics Corporation Harrisburg, PA 17105-3608												
DIMENSIONS: INCHES		CHK TOM MICHIELUTTI 17MAR09	NAME TOM MICHIELUTTI												
TOLERANCES UNLESS OTHERWISE SPECIFIED:		APVD TOM MICHIELUTTI 17MAR09	PRODUCT SPEC												
<table border="0"> <tr><td>0 PLC</td><td>± -</td></tr> <tr><td>1 PLC</td><td>± -</td></tr> <tr><td>2 PLC</td><td>± -</td></tr> <tr><td>3 PLC</td><td>± .008</td></tr> <tr><td>4 PLC</td><td>± -</td></tr> <tr><td>ANGLES</td><td>± 5°</td></tr> </table>		0 PLC	± -	1 PLC	± -	2 PLC	± -	3 PLC	± .008	4 PLC	± -	ANGLES	± 5°	APPLICATION SPEC	
0 PLC	± -														
1 PLC	± -														
2 PLC	± -														
3 PLC	± .008														
4 PLC	± -														
ANGLES	± 5°														
MATERIAL SEE TABLE	FINISH SEE TABLE	WEIGHT -	SIZE A3	CAGE CODE 00779											
CUSTOMER DRAWING			DRAWING NO G-35274	RESTRICTED TO -											
			SCALE 8:1	SHEET 1 OF 1											
			REV F1												