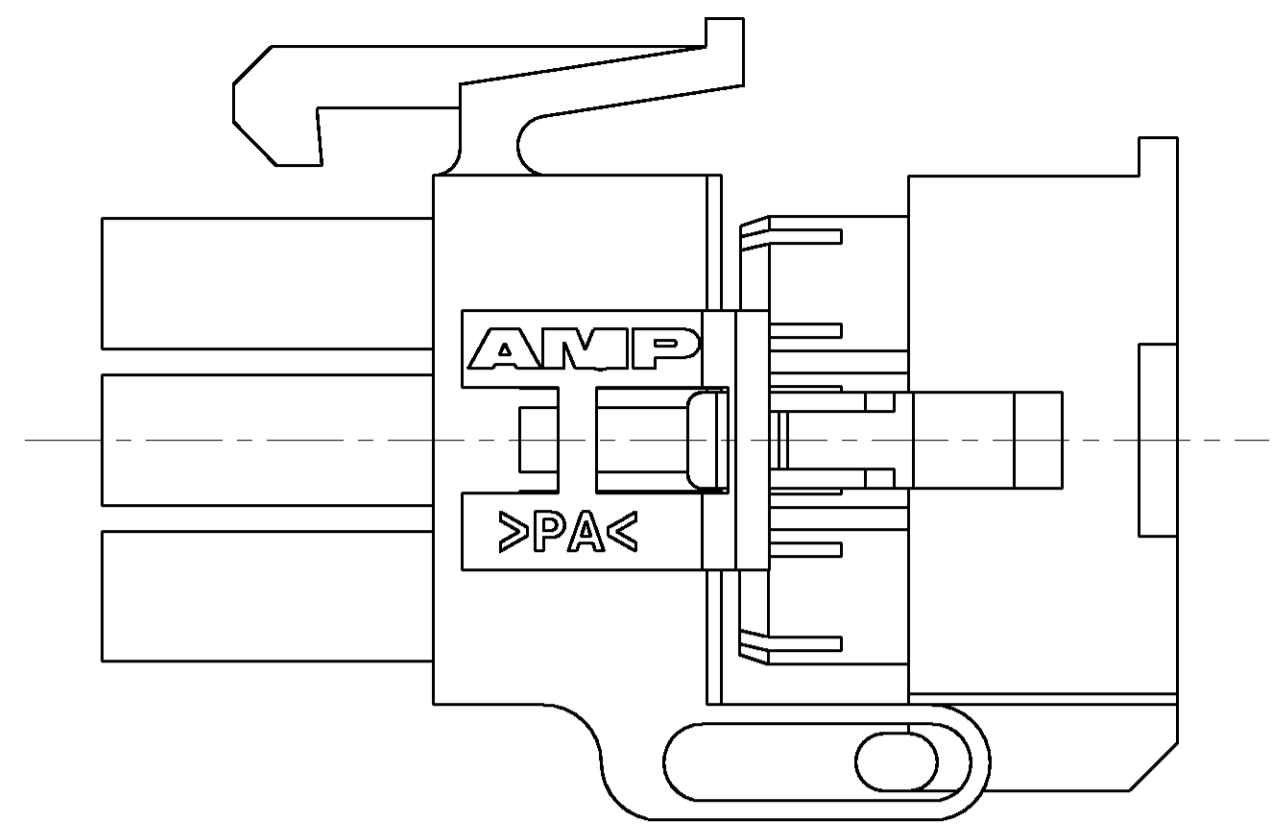
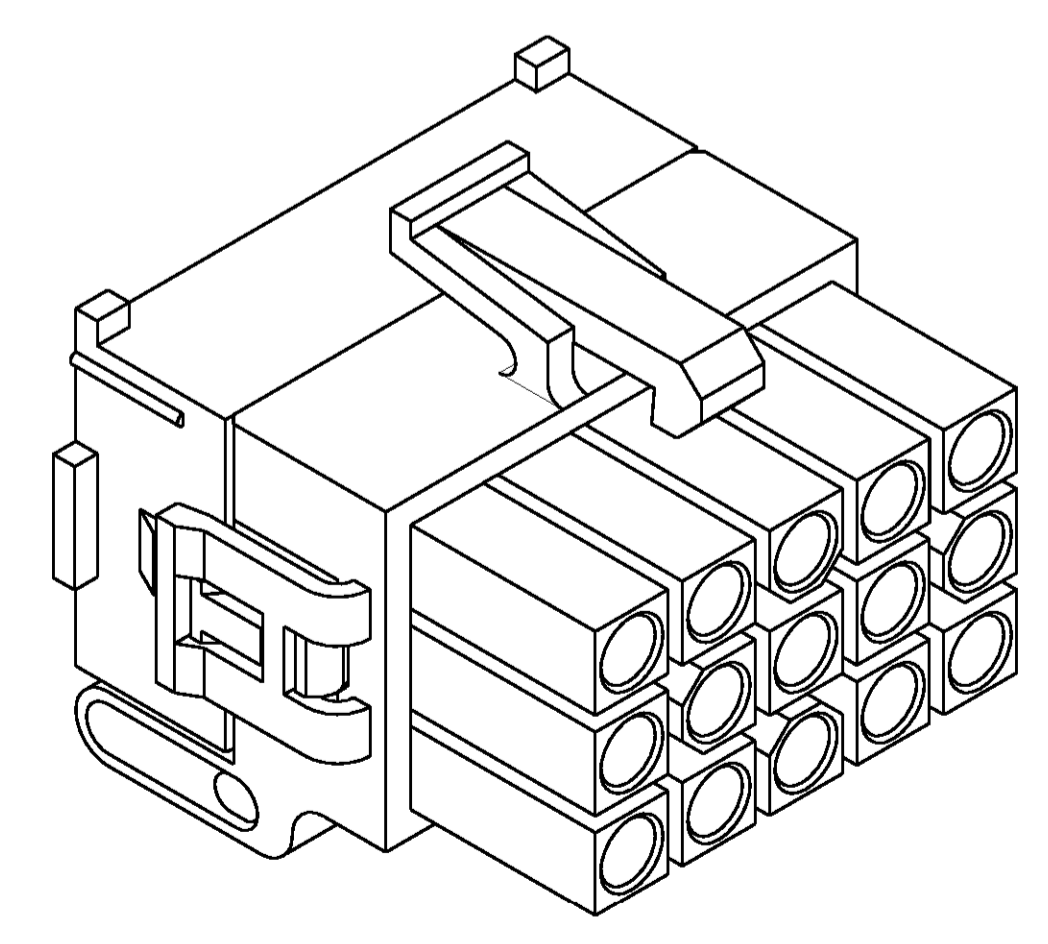
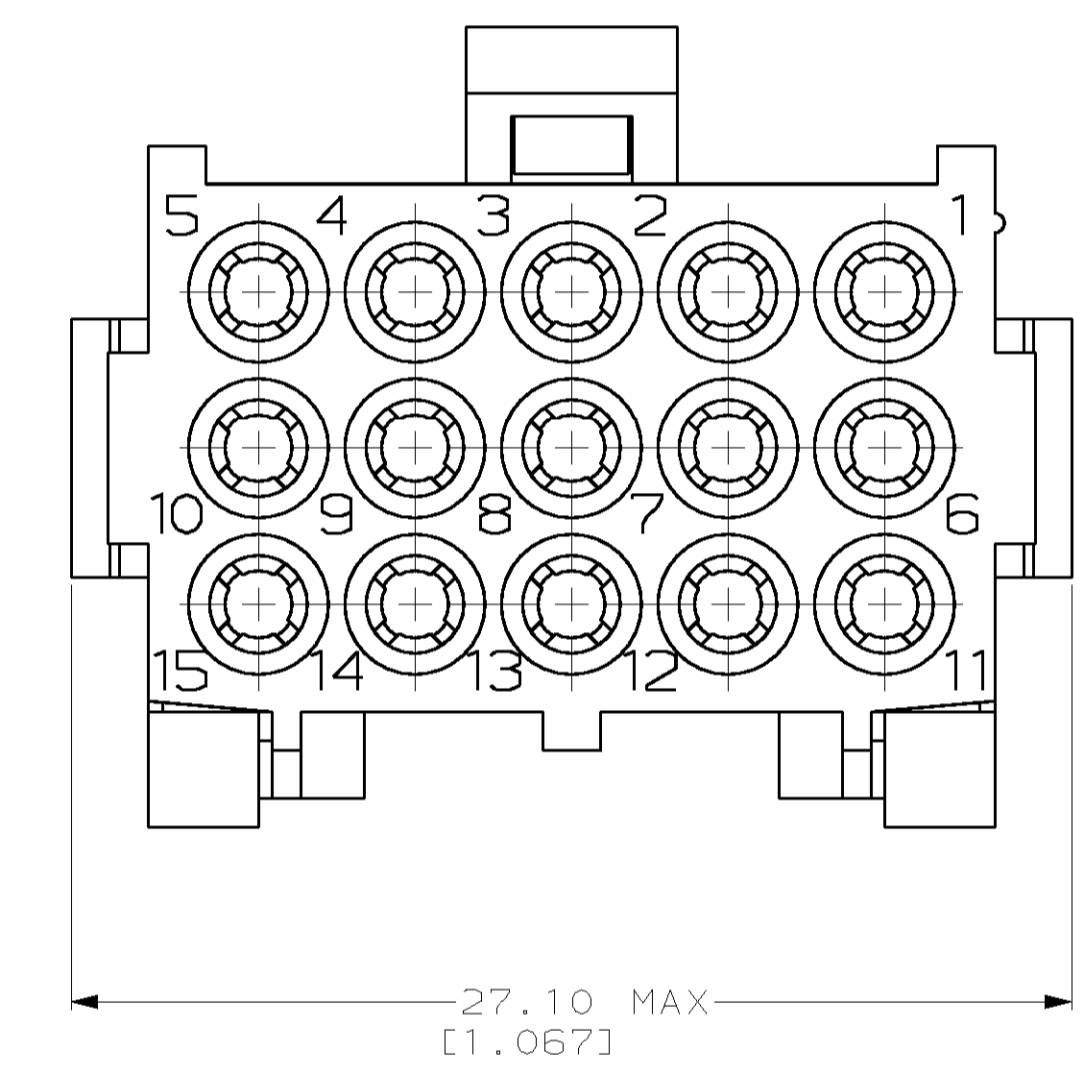
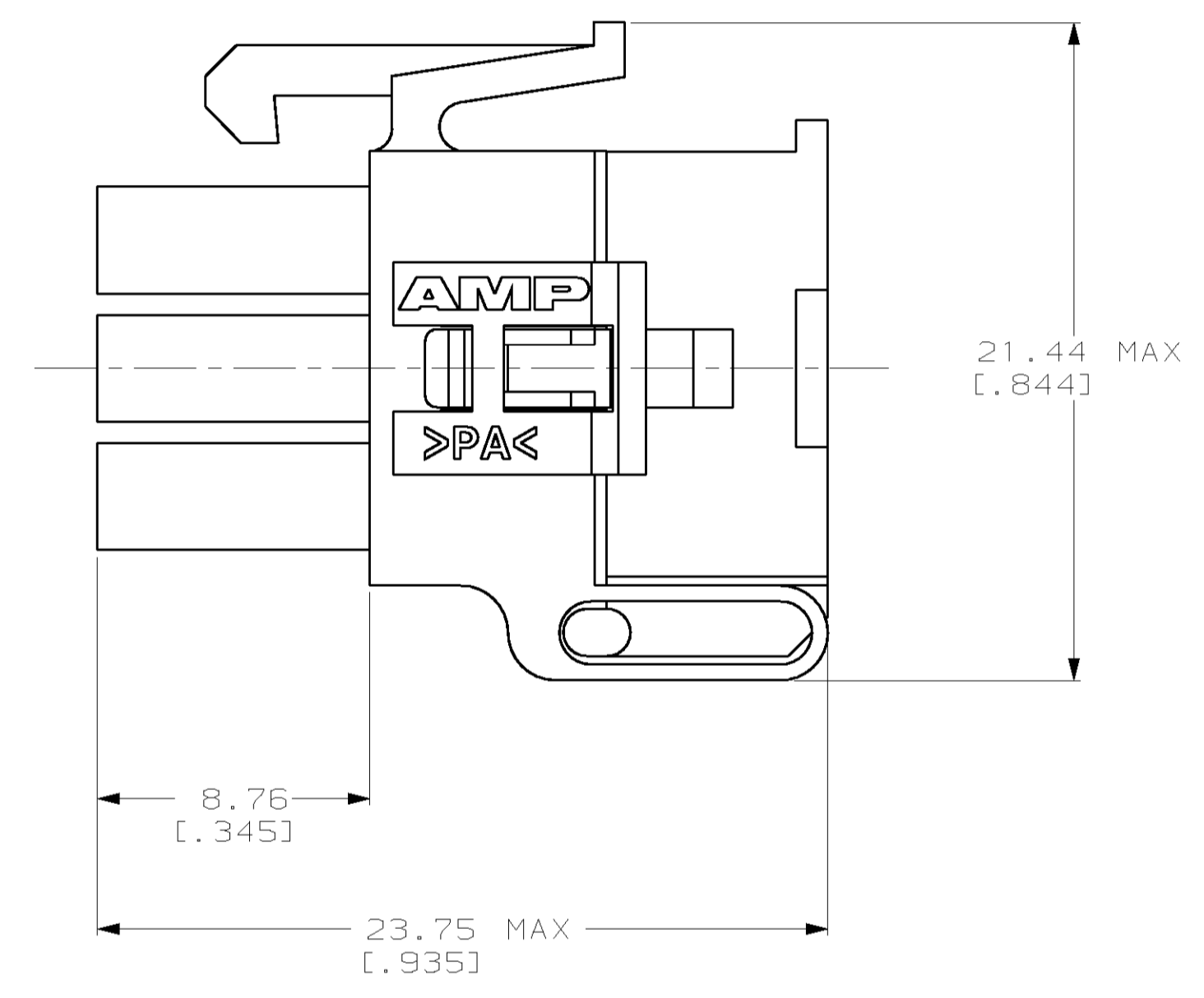
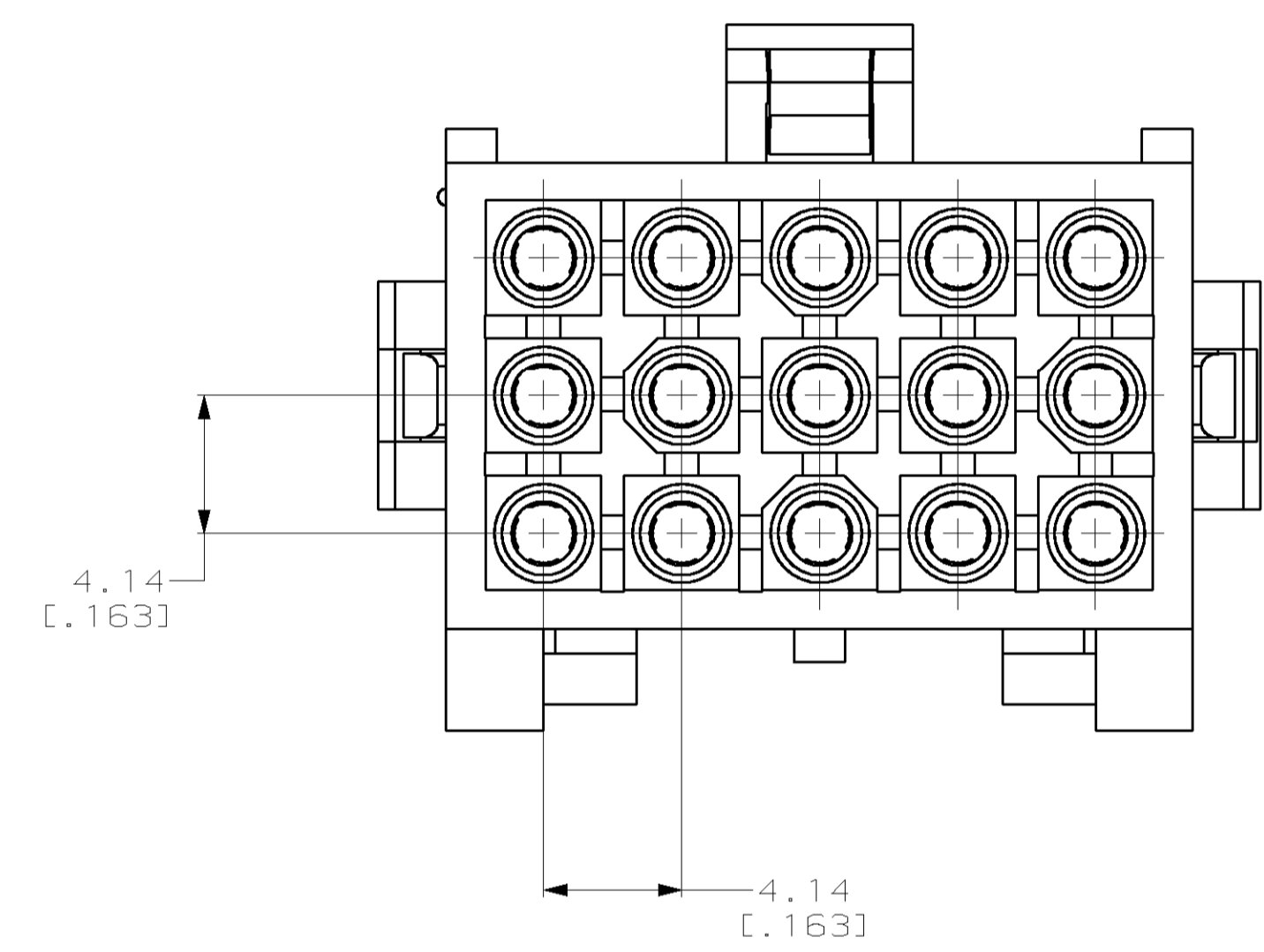


LOC		DIST		REVISIONS			
F	CHR	DATE	BY	CHK	APVD		
B		23-SEP-99	KW	EC	KC	061B-0094-99	



PRE-STAGED CONDITION

1. DIMENSIONS IN BRACKETS ARE IN INCHES.



3-DIMENSIONAL MODEL
NTS

794204-1
PART NUMBER

METRIC

THIS DRAWING IS A CONTROLLED DOCUMENT.		DWN K. WHITAKER	5-16-97	AMP AMP Incorporated Harrisburg, PA 17105-3608
DIMENSIONS:		CHK R. SWING	5-16-97	
mm	TOLERANCES UNLESS OTHERWISE SPECIFIED:	APVD S. ORSTAD	5-16-97	NAME PLUG, 15 CIRCUIT, MINI UNIVERSAL MATE-N-LOK™ 2
0 PLC	±	PRODUCT SPEC		SIZE A1
1 PLC	±	APPLICATION SPEC		CAGE CODE 00779
2 PLC	±0.13 [0.005]	RESTRICTED TO		DRAWING NO C-794204
3 PLC	±	SCALE	5:1	SHEET
4 PLC	±	WEIGHT		1 OF 1
ANGLES	±	CUSTOMER DRAWING		REV
	±0°30'			B