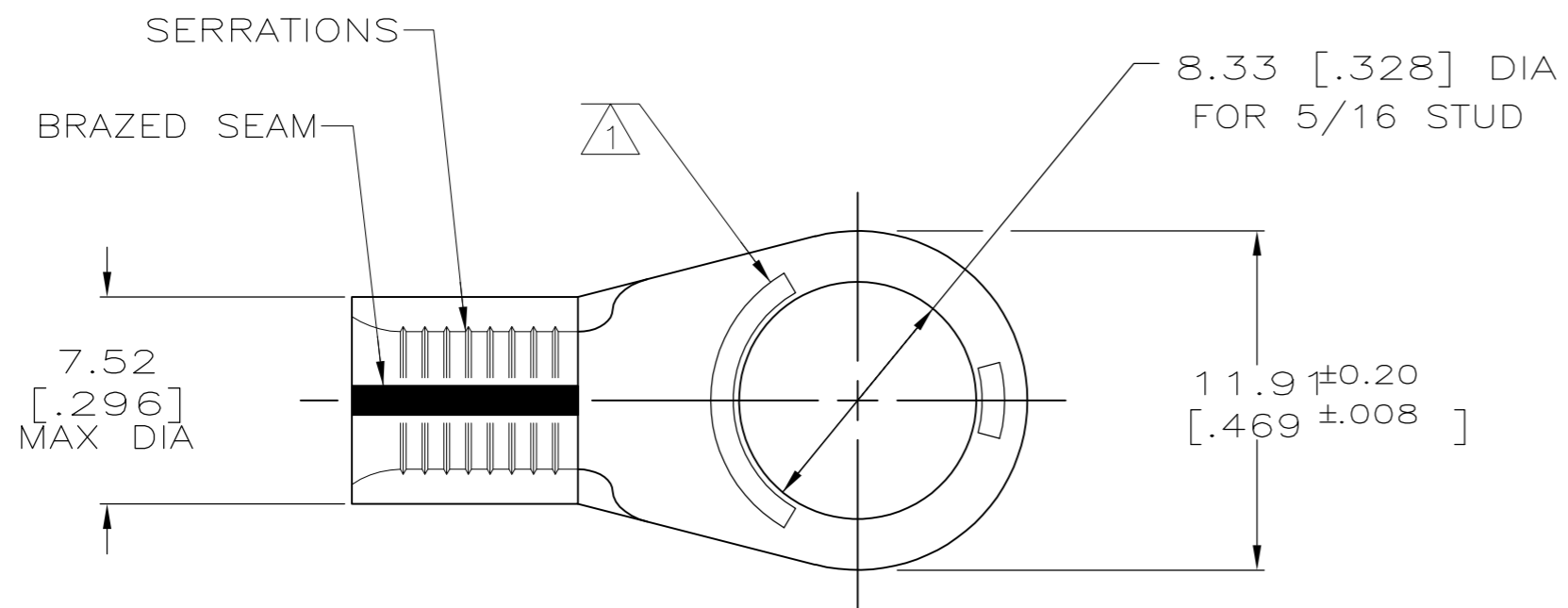
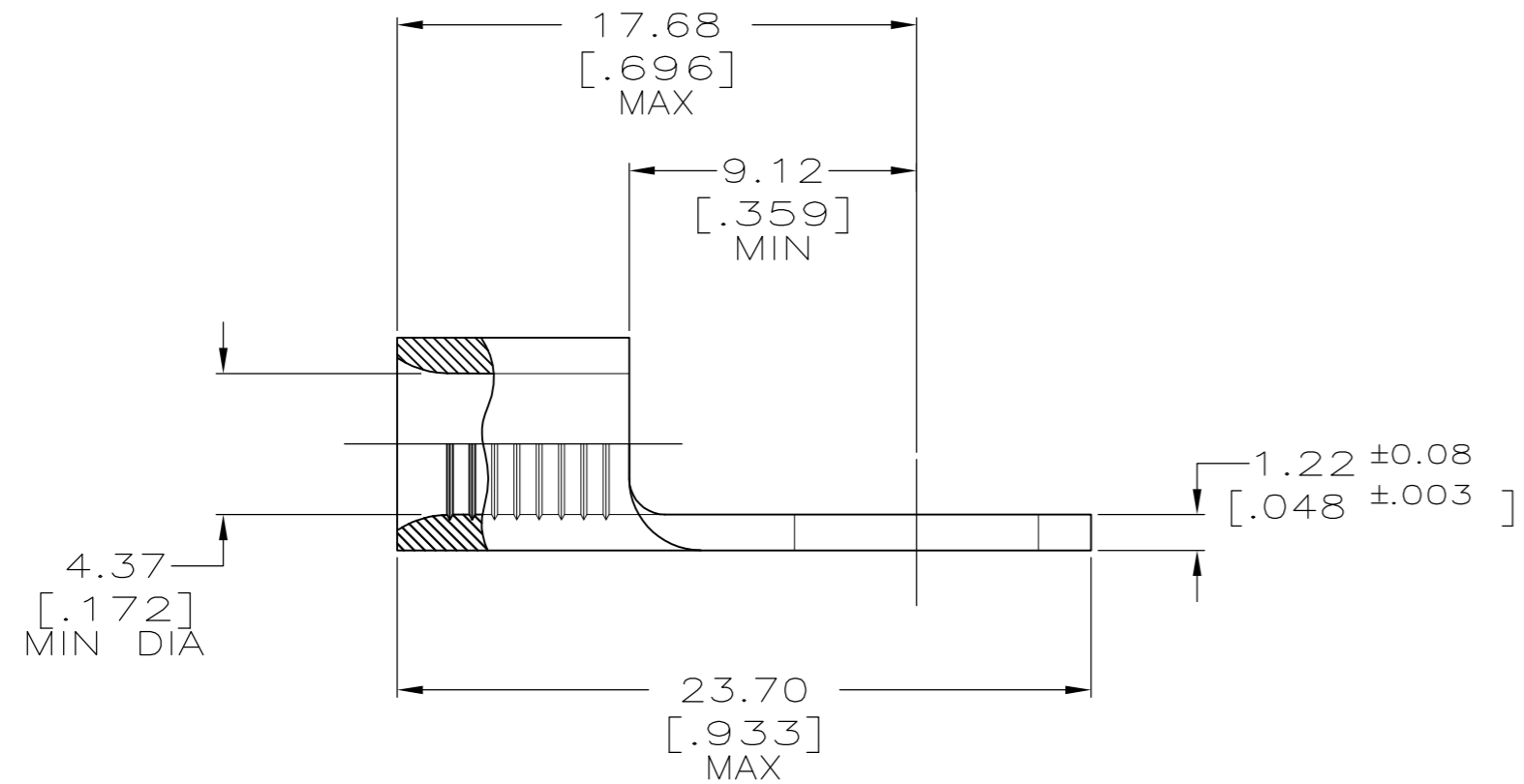


THIS DRAWING IS UNPUBLISHED. RELEASED FOR PUBLICATION
 © COPYRIGHT BY TYCO ELECTRONICS CORPORATION. ALL INTERNATIONAL RIGHTS RESERVED.

LOC	DIST	REVISIONS			
P	LTR	DESCRIPTION	DATE	DWN	APVD
G	14	B1	REV PER ECR 09-027810	29DEC09	JR TM



AMP WIRE RANGE	Listed FILE E13288	LR7189 Certified
8 AWG SOLID OR STRANDED	8 AWG STRANDED	8 AWG SOLID OR STRANDED



- △1 STAMP AMP 8* 14 APPROX AS SHOWN
- △2 PARTS ARE MOUNTED ON 30.48[1.200] CENTERS
- △3 COPPER PER ASTM B-152, ANNEALED
- △4 TIN PLATE 0.00254 [.000100] MIN THK PER ASTM B-545

1000	ON TAPE, REEL △2	55991-2
-	LOOSE PIECE	55991-1
QTY	PACKAGE TYPE	PART NO.

MAX RECOMMENDED OPERATING TEMPERATURE: 170°C MAX	THIS DRAWING IS A CONTROLLED DOCUMENT.		DWN DK SCHRUM 19AUG94	Tyco Electronics Corporation Harrisburg, PA 17105-3608
	VOLTAGE RATING: N/A	DIMENSIONS: MM [INCHES]	CHK DA PATTERSON 23AUG94	
CIRCULAR MIL AREA: 6.64-10.5mm² [13,100-20,800] SOLID OR STRANDED		TOLERANCES UNLESS OTHERWISE SPECIFIED:	APVD JL MECKLEY 23AUG94	PRODUCT SPEC
		MATERIAL - △3	FINISH - △4	APPLICATION SPEC
			WEIGHT -	SIZE A2
			CUSTOMER DRAWING	CAGE CODE 00779
				DRAWING NO C=55991
				RESTRICTED TO -
				SCALE 4:1
				SHEET 1 of 1
				REV B1