



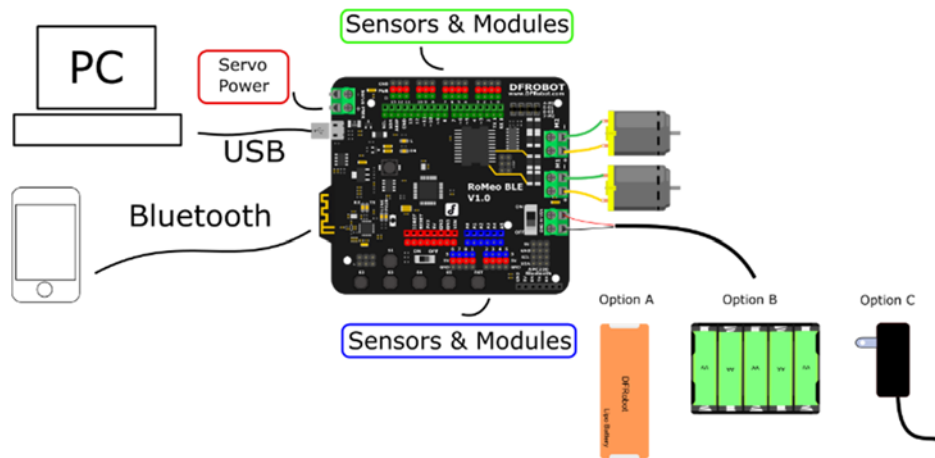
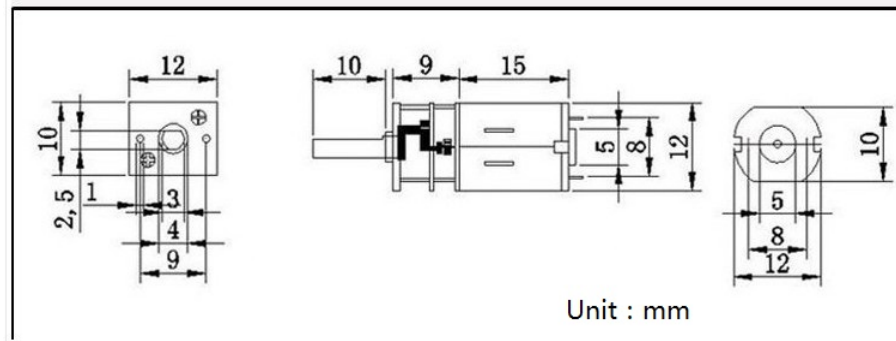
Micro Metal DC Geared Motor with Lead Screw (6V 150RPM M4*55)

SKU:FIT0491



INTRODUCTION

This DC gearmotor has an integrated M4*55mm threaded rod as its output shaft, turn it into a linear actuator. 6V rated voltage, the no-load speed could arrive 150RPM, equivalent to 1.75mm/s. The brass faceplate has two mounting holes threaded for M1.6 screws (1.6mm diameter, 0.35mm thread pitch), or you can use the mounting bracket or extended mounting bracket, which are specifically designed to securely mount the gear motor while enclosing the exposed gears.



Romeo BLE with Motors connection

SPECIFICATION

- Reduction Ratio: 100:1
- Rated voltage: 6.0 V
- No-load speed: 150 RPM
- Rated load speed: 120 RPM
- Rated Torque: 0.3 kg.cm
- Rated Current: 160 mA
- Stall Torque: 2.4 kg.cm
- Stall Current: 200 mA
- Weight: 16 g

SHIPPING LIST

- Micro Metal DC Geared Motor with Lead Screw (6V 150RPM M4*55) x1