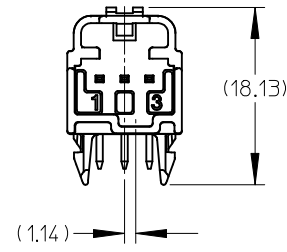
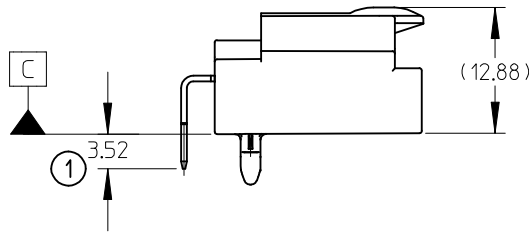
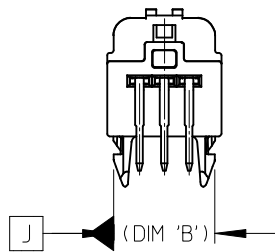
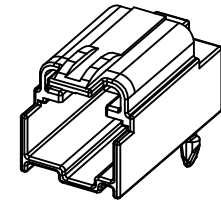
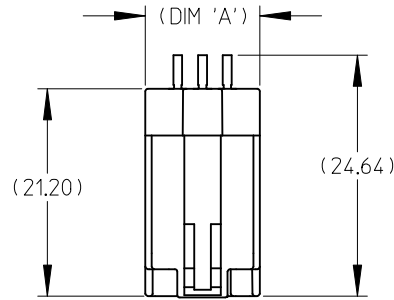
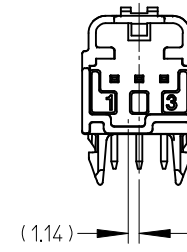


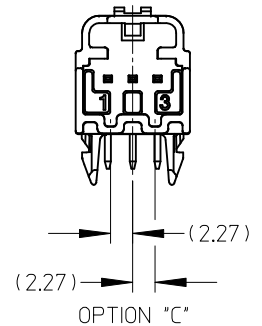
3 WAY RIGHT ANGLE  
HEADER ASSEMBLY  
(POLARIZATION OPTIONS  
VIEWED FROM MATE SIDE)



OPTION "A"

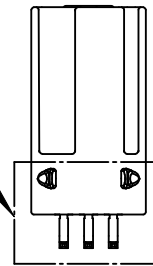


OPTION "B"



OPTION "C"

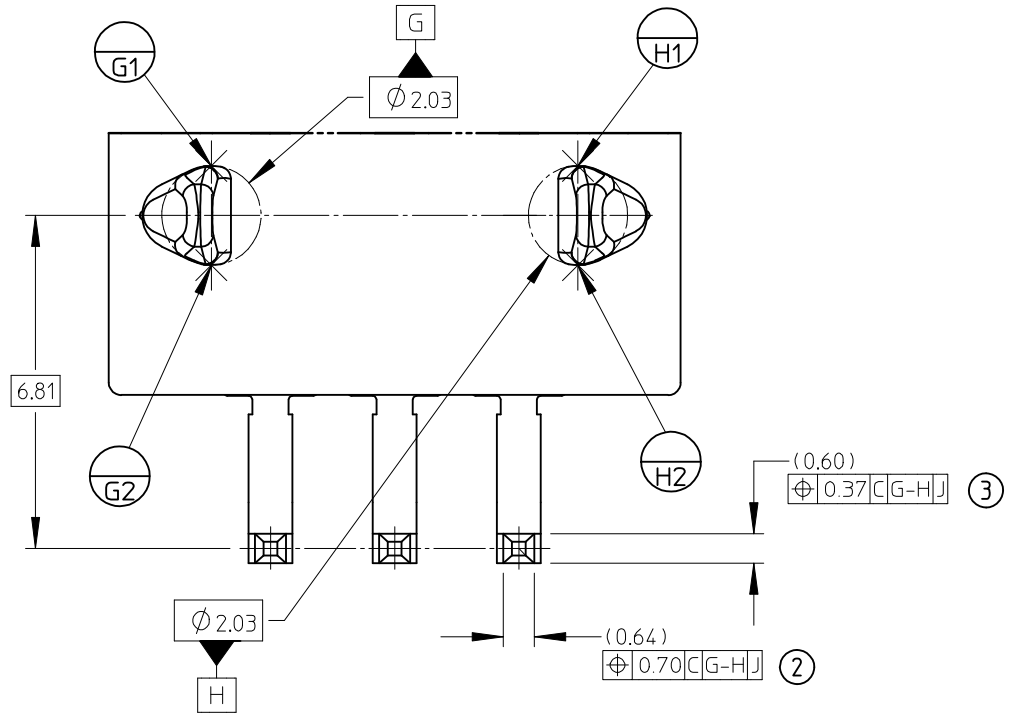
SEE DETAIL 1



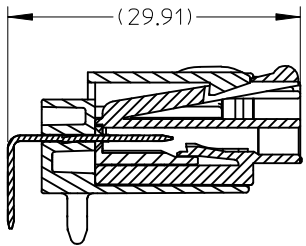
NOTES:

1. MATERIAL:  
HOUSING: SYNDIOTATIC POLYSTRENE (SPS).  
COLOR: SEE CHART.  
TERMINAL: BRASS.
2. FINISH:  
TERMINAL: 60 MICROINCHES MIN NICKEL (Ni)  
UNDERPLATE OVERALL. 60 MICROINCHES MIN  
SELECTIVE TIN (Sn).
3. PRODUCT SPEC NUMBER PS-31100-0001.
4. PACKAGING PER PACKAGING SPEC.: SEE CHART.
5. MATES WITH SEE CHART.

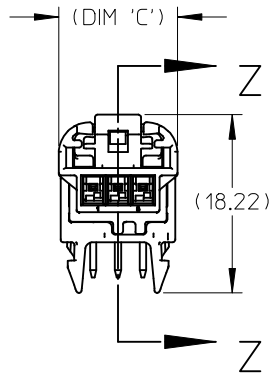
ENTER DESCRIPTION EC NO: UAU2009-0141 DRAWN: DILLON 2008/09/15 CHKD: DILLON 2008/09/15 APPR: SMARCEAU 2008/09/15	QUALITY SYMBOLS ▽=0 ▽=0	GENERAL TOLERANCES (UNLESS SPECIFIED)		DIMENSION STYLE MM ONLY		SCALE 2:1	DESIGN UNITS METRIC	THIRD ANGLE PROJECTION	
			mm	INCH	DRAWN BY MDEVITO	DATE 01/12/06	TITLE RIGHT ANGLE HEADER ASSEMBLY CHARTED SALES DRAWING MOLEX INCORPORATED		
		4 PLACES	±---	±---	CHECKED BY	DATE 01/12/07			
		3 PLACES	±---	±---	APPROVED BY GMEYER	DATE 01/12/07	DOCUMENT NO. SD-31197-003	SHEET NO. 1 OF 8	
2 PLACES	±0.13	±---	DRAFT WHERE APPLICABLE MUST REMAIN WITHIN DIMENSIONS		THIS DRAWING CONTAINS INFORMATION THAT IS PROPRIETARY TO MOLEX INCORPORATED AND SHOULD NOT BE USED WITHOUT WRITTEN PERMISSION				
1 PLACE	±0.25	±---							
		ANGULAR ±1/2°							



DETAIL1  
SCALE 10:1

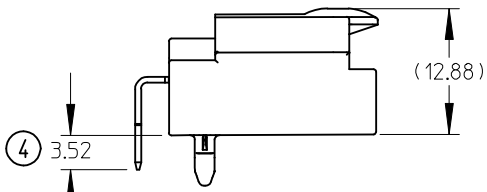


SECTION Z-Z  
SCALE 2:1

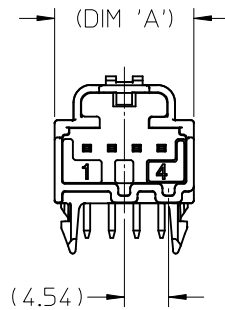


FULLY SEATED ASSEMBLY

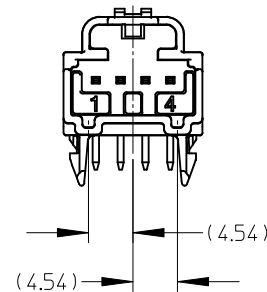
<b>ENTER DESCRIPTION</b> EC NO: UAU2009-0141 TDR:WACDILLON 2008/09/15 CHKD:CDILLON 2008/09/15 APPR:SMARCEAU 2008/09/15	<b>QUALITY SYMBOLS</b> ▽=0 ▽=0	<b>GENERAL TOLERANCES (UNLESS SPECIFIED)</b>		<b>DIMENSION STYLE</b> MM ONLY		SCALE 1:1	DESIGN UNITS METRIC	THIRD ANGLE PROJECTION		
		4 PLACES ± --- ± ---	mm INCH	DRAWN BY MDEVITO	DATE 01/12/06	TITLE RIGHT ANGLE HEADER ASSEMBLY CHARTED SALES DRAWING				
		3 PLACES ± --- ± ---	2 PLACES ± 0.13 ± ---	CHECKED BY BCOURIM	DATE 01/12/07					
		1 PLACE ± 0.25 ± ---	ANGULAR ± 1/2°	APPROVED BY GMEYER	DATE 01/12/07	MOLEX INCORPORATED				
DRAFT WHERE APPLICABLE MUST REMAIN WITHIN DIMENSIONS		MATERIAL NO. SEE CHART	DOCUMENT NO. SD-31197-003	SHEET NO. 2 OF 8		THIS DRAWING CONTAINS INFORMATION THAT IS PROPRIETARY TO MOLEX INCORPORATED AND SHOULD NOT BE USED WITHOUT WRITTEN PERMISSION				



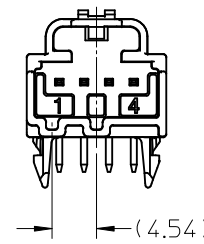
4 WAY RIGHT ANGLE  
HEADER ASSEMBLY  
(POLARIZATION OPTIONS  
VIEWED FROM MATE SIDE)



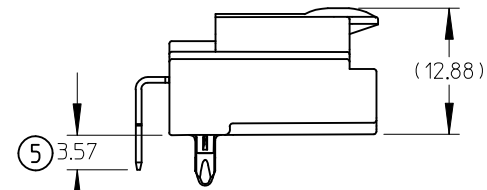
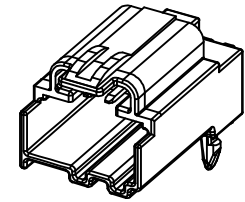
OPTION "A"



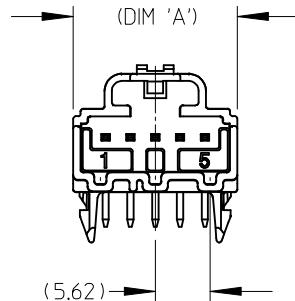
OPTION "B"



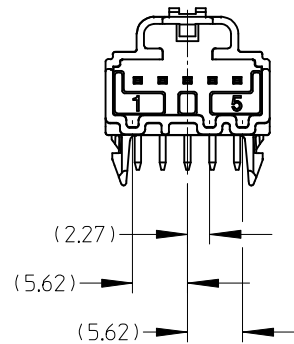
OPTION "C"



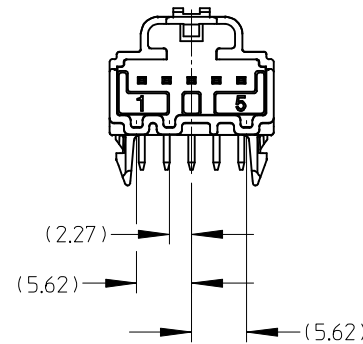
5 WAY RIGHT ANGLE  
HEADER ASSEMBLY  
(POLARIZATION OPTIONS  
VIEWED FROM MATE SIDE)



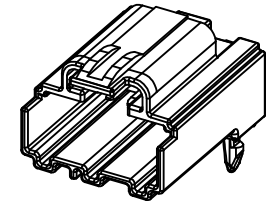
OPTION "A"



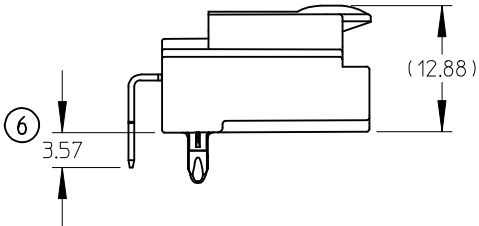
OPTION "B"



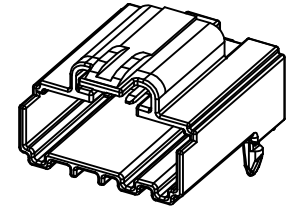
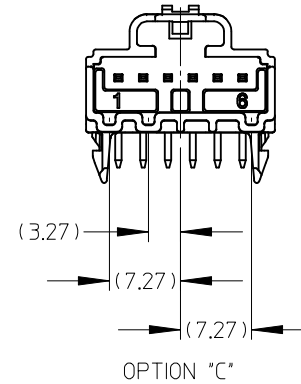
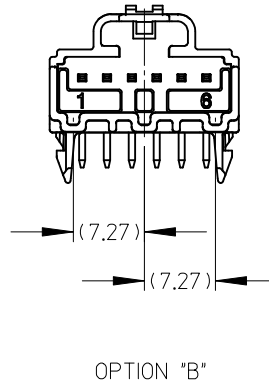
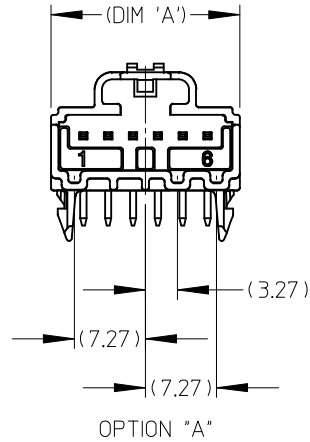
OPTION "C"



<b>ENTER DESCRIPTION</b> EC NO: JAU2009-0141 TDR:WAGDILLON 2008/09/15 CHKD:CDILLON 2008/09/15 APPR:SMARCEAU 2008/09/15	<b>QUALITY SYMBOLS</b> ▽=0 ▽=0	<b>GENERAL TOLERANCES (UNLESS SPECIFIED)</b>		<b>DIMENSION STYLE</b> MM ONLY		SCALE 2:1	DESIGN UNITS METRIC	THIRD ANGLE PROJECTION
		4 PLACES ± --- ± ---	mm INCH	DRAWN BY MDEVITO	DATE 01/12/06	TITLE RIGHT ANGLE HEADER ASSEMBLY CHARTED SALES DRAWING		
		3 PLACES ± --- ± ---	2 PLACES ± 0.13 ± ---	CHECKED BY BCOURIM	DATE 01/12/07			
		1 PLACE ± 0.25 ± ---	ANGULAR ± 1/2°	APPROVED BY GMEYER	DATE 01/12/07	MOLEX INCORPORATED		
DRAFT WHERE APPLICABLE MUST REMAIN WITHIN DIMENSIONS		MATERIAL NO. SEE CHART		DOCUMENT NO. SD-31197-003		SHEET NO. 3 OF 8		



6 WAY RIGHT ANGLE  
HEADER ASSEMBLY  
(POLARIZATION OPTIONS  
VIEWED FROM MATE SIDE)



<b>ENTER DESCRIPTION</b> EC NO: UAU2009-0141 TDRW:CDILLON 2008/09/15 CHKD:CDILLON 2008/09/15 APPR:SMARCEAU 2008/09/15	<b>QUALITY SYMBOLS</b> ▽=0 ▽=0	<b>GENERAL TOLERANCES (UNLESS SPECIFIED)</b>		<b>DIMENSION STYLE</b> MM ONLY		SCALE 1:1	DESIGN UNITS METRIC	THIRD ANGLE PROJECTION			
		4 PLACES ± --- ± ---	mm INCH	DRAWN BY MDEVITO	DATE 01/12/06	TITLE RIGHT ANGLE HEADER ASSEMBLY CHARTED SALES DRAWING					
		3 PLACES ± --- ± ---	2 PLACES ± 0.13 ± ---	CHECKED BY BCOURIM	DATE 01/12/07						
		1 PLACE ± 0.25 ± ---	ANGULAR ± 1/2°	APPROVED BY GMEYER	DATE 01/12/07	MOLEX INCORPORATED					
DRAFT WHERE APPLICABLE MUST REMAIN WITHIN DIMENSIONS		MATERIAL NO. SEE CHART		DOCUMENT NO. SD-31197-003			SHEET NO. 4 OF 8				

BILL OF MATERIALS

FEMALE MATING ASSEMBLY	HEADER ASSEMBLY P/N PER DWG. PK-31300-293 (TRAY PKG)	HEADER ASSEMBLY P/N PER DWG. PK-31300-577 (SPEC. TRAY PKG)	DESCRIPTION	COLOR	DIM 'A'	DIM 'B'	DIM 'C'
31067-1010	31100-0030 NOT TOOLED		3 WAY RIGHT ANGLE HEADER ASSEMBLY POLARIZATION "A"	BLACK	11.69	10.33	12.14
31067-1011	31100-0031 NOT TOOLED		3 WAY RIGHT ANGLE HEADER ASSEMBLY POLARIZATION "B"	GRAY	11.69	10.33	12.14
31067-1012	31100-0032 NOT TOOLED		3 WAY RIGHT ANGLE HEADER ASSEMBLY POLARIZATION "C"	BROWN	11.69	10.33	12.14
31068-1010	31100-0040	31100-0049	4 WAY RIGHT ANGLE HEADER ASSEMBLY POLARIZATION "A"	BLACK	14.23	12.87	14.68
31068-1011	31100-0041	31100-0048	4 WAY RIGHT ANGLE HEADER ASSEMBLY POLARIZATION "B"	GRAY	14.23	12.87	14.68
31068-1012	31100-0042	31100-0047	4 WAY RIGHT ANGLE HEADER ASSEMBLY POLARIZATION "C"	BROWN	14.23	12.87	14.68

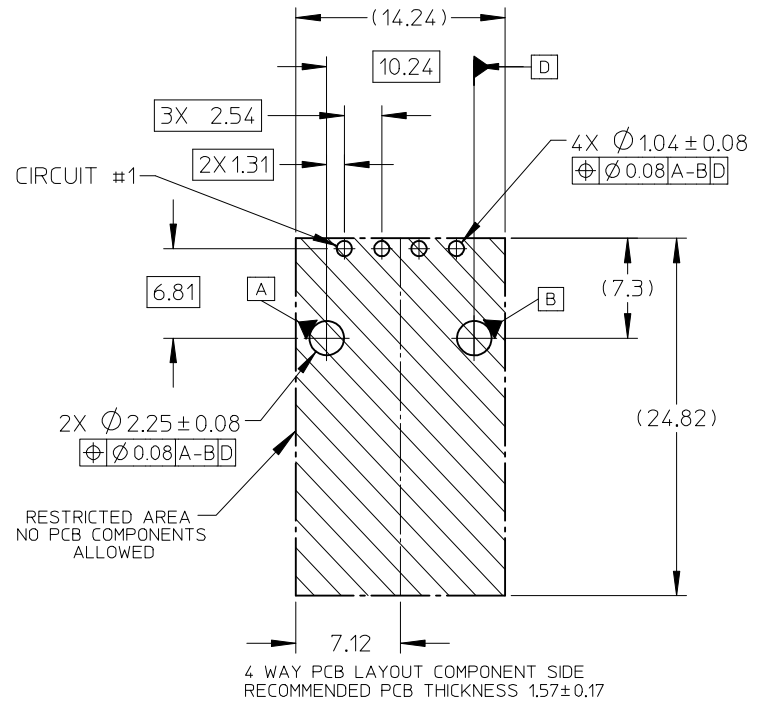
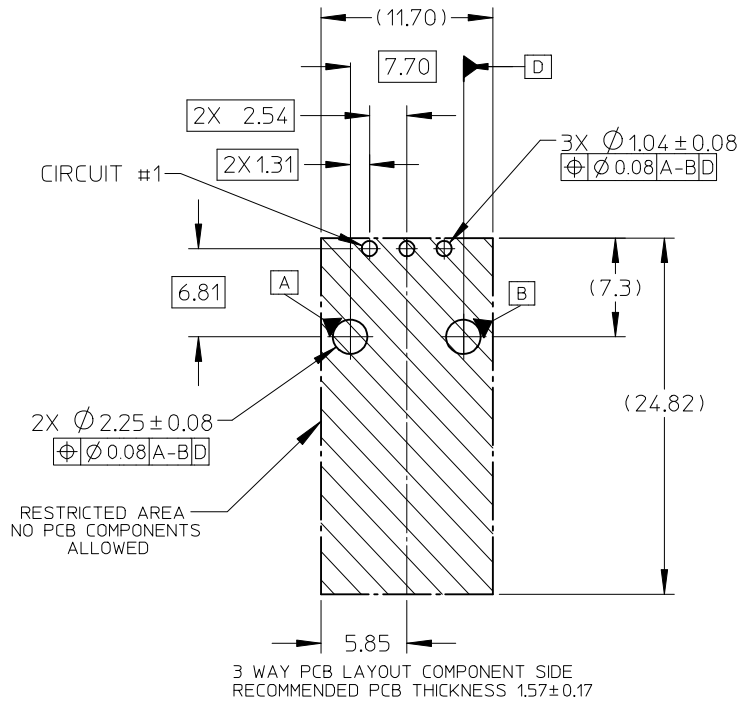
ENTER DESCRIPTION EC NO: UAU2009-0141 TDRWN:CDILLON 2008/09/15 CHKD:CDILLON 2008/09/15 APPR:SMARCEAU 2008/09/15	QUALITY SYMBOLS ▼=0 ▽=0	GENERAL TOLERANCES (UNLESS SPECIFIED)		DIMENSION STYLE MM ONLY		SCALE	DESIGN UNITS METRIC	THIRD ANGLE PROJECTION
			mm	INCH	DRAWN BY	DATE	TITLE	
		4 PLACES	± ---	± ---	MDEVITO	01/12/06	RIGHT ANGLE HEADER ASSEMBLY CHARTED SALES DRAWING	
		3 PLACES	± ---	± ---	CHECKED BY	DATE		
		2 PLACES	± 0.13	± ---	BCOURIM	01/12/07	MOLEX INCORPORATED	
1 PLACE	± 0.25	± ---	APPROVED BY	DATE				
ANGULAR ±1/2°		GMEYER	01/12/07	MATERIAL NO.	DOCUMENT NO.	SHEET NO.		
DRAFT WHERE APPLICABLE MUST REMAIN WITHIN DIMENSIONS			SEE CHART		SD-31197-003		5 OF 8	
THIS DRAWING CONTAINS INFORMATION THAT IS PROPRIETARY TO MOLEX INCORPORATED AND SHOULD NOT BE USED WITHOUT WRITTEN PERMISSION								

BILL OF MATERIALS

FEMALE MATING ASSEMBLY	HEADER ASSEMBLY P/N PER DWG. PK-31300-293 (TRAY PKG)	HEADER ASSEMBLY P/N PER DWG. PK-31300-577 (SPEC. TRAY PKG)	DESCRIPTION	COLOR	DIM 'A'	DIM 'B'	DIM 'C'
31072-1010	31100-0050 NOT TOOLED		5 WAY RIGHT ANGLE HEADER ASSEMBLY POLARIZATION "A"	BLACK	16.77	15.41	17.22
31072-1011	31100-0051 NOT TOOLED		5 WAY RIGHT ANGLE HEADER ASSEMBLY POLARIZATION "B"	GRAY	16.77	15.41	17.22
31072-1012	31100-0052 NOT TOOLED		5 WAY RIGHT ANGLE HEADER ASSEMBLY POLARIZATION "C"	BROWN	16.77	15.41	17.22
31073-1010	31100-0060 NOT TOOLED		6 WAY RIGHT ANGLE HEADER ASSEMBLY POLARIZATION "A"	BLACK	19.31	17.95	19.76
31073-1011	31100-0061 NOT TOOLED		6 WAY RIGHT ANGLE HEADER ASSEMBLY POLARIZATION "B"	GRAY	19.31	17.95	19.76
31073-1012	31100-0062 NOT TOOLED		6 WAY RIGHT ANGLE HEADER ASSEMBLY POLARIZATION "C"	BROWN	19.31	17.95	19.76

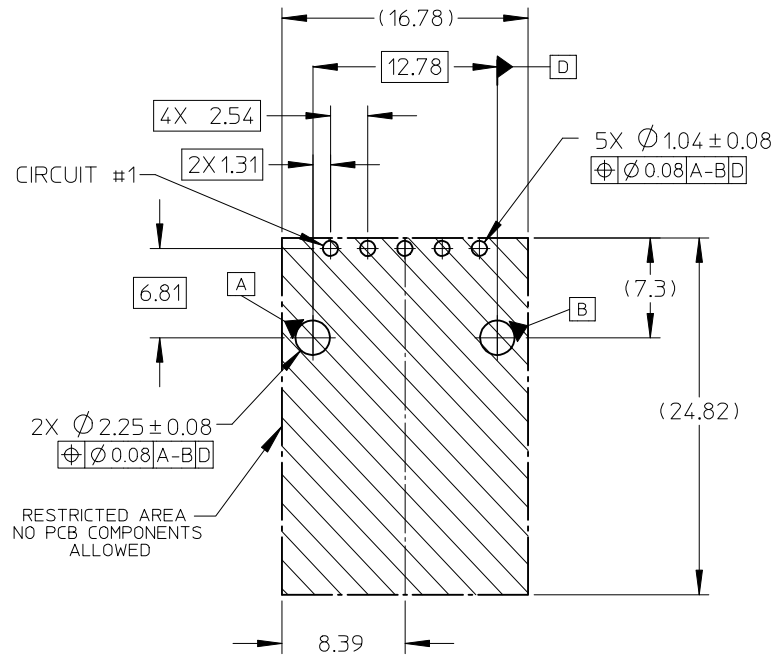
ENTER DESCRIPTION EC NO: UAU2009-0141 TDR: MCDILLON 2008/09/15 CHKD: EDILLON 2008/09/15 APPR: SMARCEAU 2008/09/15	QUALITY SYMBOLS ▽=0 ▽7=0	GENERAL TOLERANCES (UNLESS SPECIFIED)		DIMENSION STYLE <b>MM ONLY</b>		SCALE 1:1	DESIGN UNITS METRIC	THIRD ANGLE PROJECTION		
			mm	INCH	DRAWN BY	DATE	TITLE <b>RIGHT ANGLE HEADER ASSEMBLY CHARTED SALES DRAWING</b>			
		4 PLACES	±---	±---	MDEVITO	01/12/06				
		3 PLACES	±---	±---	CHECKED BY	DATE	MATERIAL NO. <b>SEE CHART</b> DOCUMENT NO. <b>SD-31197-003</b> SHEET NO. <b>6 OF 8</b>			
2 PLACES	±0.13	±---	BCOURIM	01/12/07						
1 PLACE	±0.25	±---	APPROVED BY	DATE	THIS DRAWING CONTAINS INFORMATION THAT IS PROPRIETARY TO MOLEX INCORPORATED AND SHOULD NOT BE USED WITHOUT WRITTEN PERMISSION					
ANGULAR ±1/2°			GMEYER	01/12/07						

### RECOMMENDED PCB LAYOUT

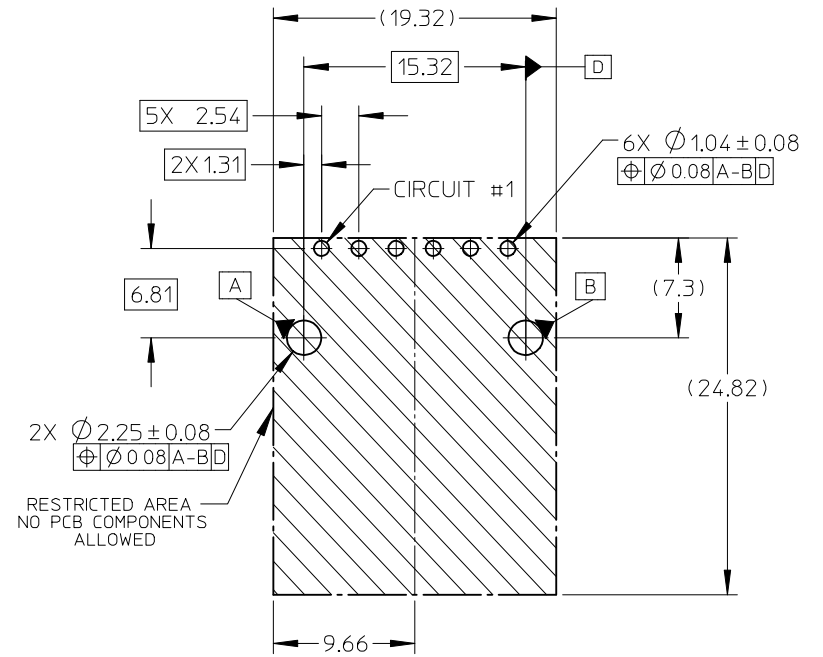


<b>ENTER DESCRIPTION</b> EC NO: UAU2009-0141 DRAWN: EDILLON 2008/09/15 CHKD: EDILLON 2008/09/15 APPR: SMARCEAU 2008/09/15	<b>QUALITY SYMBOLS</b> ▽=0 ▽7=0	<b>GENERAL TOLERANCES (UNLESS SPECIFIED)</b>		<b>DIMENSION STYLE</b> MM ONLY		SCALE 1:1	DESIGN UNITS METRIC	THIRD ANGLE PROJECTION	
		4 PLACES ± --- ± ---	3 PLACES ± --- ± ---	2 PLACES ± 0.13 ± ---	1 PLACE ± 0.25 ± ---	ANGULAR ± 1/2°	DRAWN BY MDEVITO	DATE 01/12/06	TITLE RIGHT ANGLE HEADER ASSEMBLY CHARTED SALES DRAWING MOLEX INCORPORATED DOCUMENT NO. SD-31197-003
		DRAFT WHERE APPLICABLE MUST REMAIN WITHIN DIMENSIONS				CHECKED BY BCOURIM	DATE 01/12/07	SHEET NO. 7 OF 8	
						APPROVED BY GMEYER	DATE 01/12/07		
		SEE CHART		THIS DRAWING CONTAINS INFORMATION THAT IS PROPRIETARY TO MOLEX INCORPORATED AND SHOULD NOT BE USED WITHOUT WRITTEN PERMISSION					

# RECOMMENDED PCB LAYOUT



5 WAY PCB LAYOUT COMPONENT SIDE  
RECOMMENDED PCB THICKNESS 1.57±0.17



6 WAY PCB LAYOUT COMPONENT SIDE  
RECOMMENDED PCB THICKNESS 1.57±0.17

<b>ENTER DESCRIPTION</b> EC NO: UAU2009-0141 DRAWN: CDILLON 2008/09/15 CHKD: CDILLON 2008/09/15 APPR: SWARCEAU 2008/09/15	QUALITY SYMBOLS ▽=0 ▽=0	GENERAL TOLERANCES (UNLESS SPECIFIED) mm INCH 4 PLACES ± --- ± --- 3 PLACES ± --- ± --- 2 PLACES ± 0.13 ± --- 1 PLACE ± 0.25 ± --- ANGULAR ± 1/2°	DIMENSION STYLE <b>MM ONLY</b> DRAWN BY DATE MDEVITO 01/12/06 CHECKED BY DATE BCOURIM 01/12/07 APPROVED BY DATE GMEYER 01/12/07	SCALE DESIGN UNITS <b>METRIC</b> THIRD ANGLE PROJECTION	TITLE <b>RIGHT ANGLE HEADER ASSEMBLY CHARTED SALES DRAWING</b> MOLEX INCORPORATED
	DRAFT WHERE APPLICABLE MUST REMAIN WITHIN DIMENSIONS	MATERIAL NO. <b>SEE CHART</b>	DOCUMENT NO. <b>SD-31197-003</b>	SHEET NO. <b>8 OF 8</b>	
	THIS DRAWING CONTAINS INFORMATION THAT IS PROPRIETARY TO MOLEX INCORPORATED AND SHOULD NOT BE USED WITHOUT WRITTEN PERMISSION				
	SIZE B				