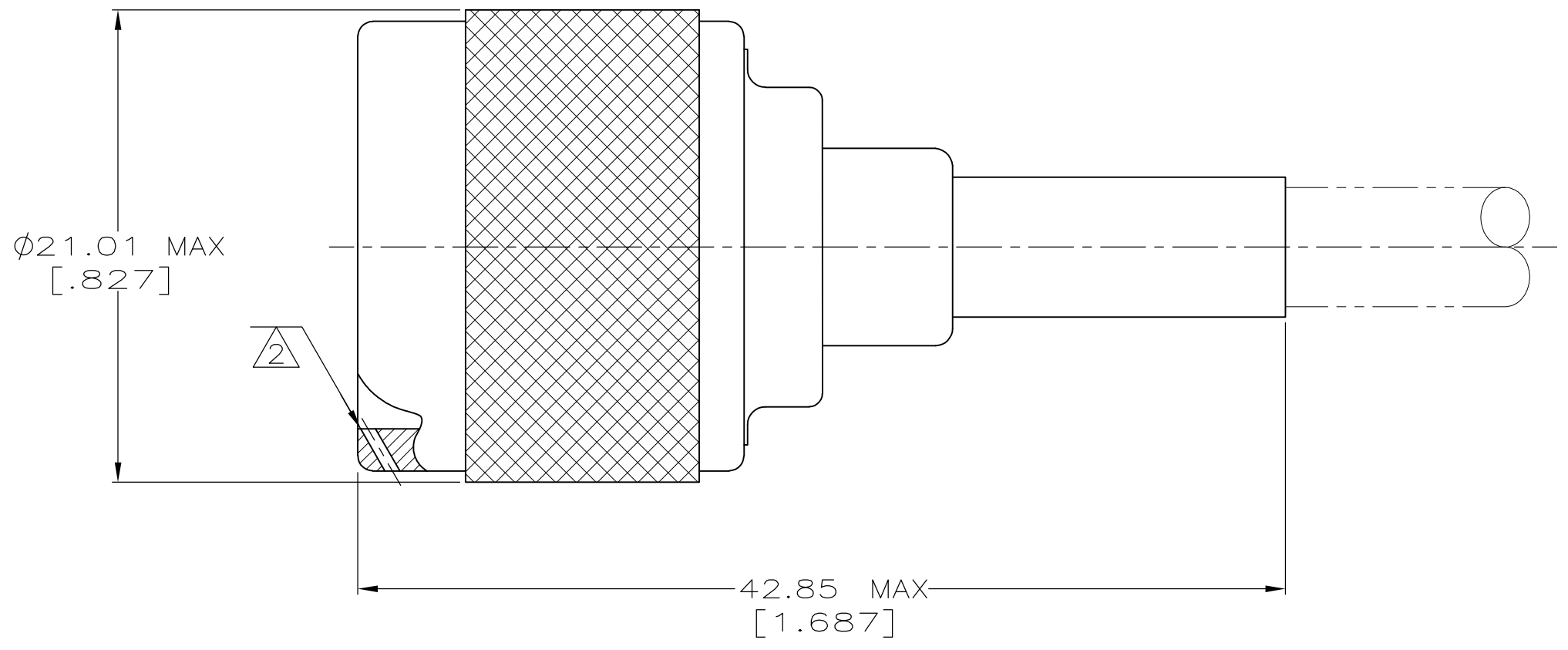
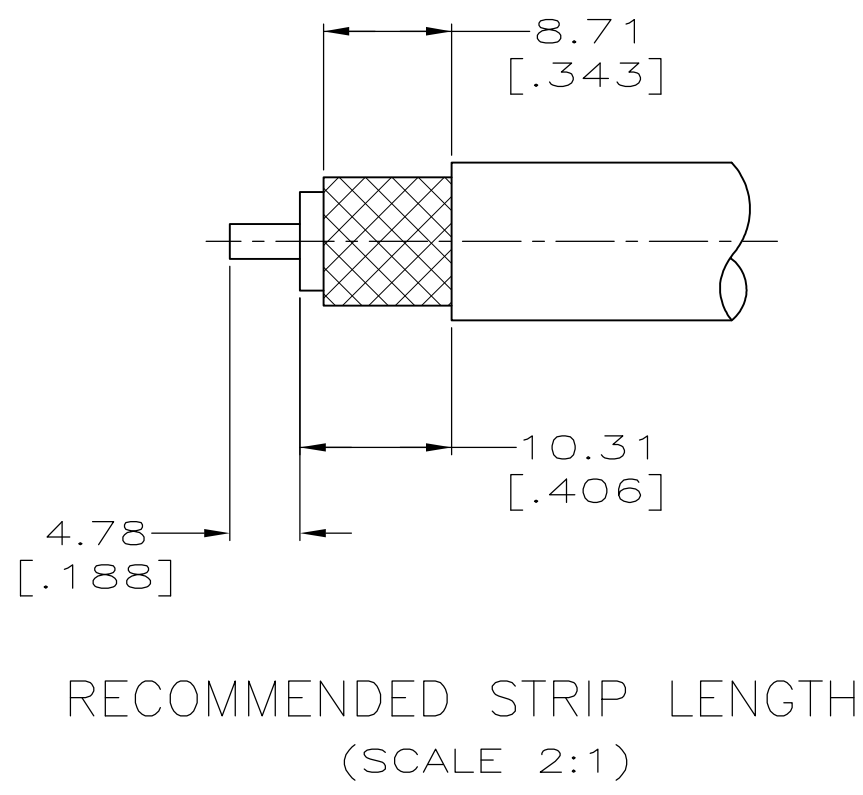


THIS DRAWING IS UNPUBLISHED. RELEASED FOR PUBLICATION  
 © COPYRIGHT 19 BY AMP INCORPORATED. ALL INTERNATIONAL RIGHTS RESERVED.

LOC	DIST	P	F	ZONE	LTR	REVISIONS	DATE	APPD
AJ	16				F	OBS -6 PER 0E10-0116-99	04FEB00	MO
					F1	REVISED PER ECO-10-000030	04JAN10	AEG

1. PARTS PACKAGED UNASSEMBLED.
- ② THREE SAFTEY WIRE HOLES  $\phi 0.61$  [.024] MIN, EQUALLY SPACED AROUND CIRCUMFERENCE.
3. CRIMP TOOL: 220045-2
4. SEE I.S. 2028-1
- ⑤ BULK PACKAGED VERSION OF 225361-6



⑤ OBSOLETE	RG-142/U,142A/U & 142B/U	225382-3	225343-4	225342-3	225361-7
OBSOLETE	RG-142/U,142A/U & 142B/U	225382-3	225343-4	225342-3	225361-6
	RG-142/U,142A/U & 142B/U	225382-2	225343-4	225342-1	225361-4
	RG-55A/U & 223/U	225382-2	225343-2	225342-1	225361-2
	RG-58A/U & 58C/U	225381-2	225343-2	225342-1	225361-1
	CABLE SIZE	③ FERRULE QTY=1	② CONTACT QTY=1	① PLUG ASSY QTY=1	PART NUMBER

DO NOT SCALE PRINT. UNLESS SPECIFIED		AMP	
DIMENSIONS IN mm [INCHES]		AMP Incorporated	
TOLERANCES ON :		Harrisburg, PA 17105-3608	
2 PLC DEC ± 0.41 [.016]	DR 06-06-91 B.SCOTT	NAME	
3 PLC DEC ± -	CHK 1-3-92 B. MOYER		
ANGLES ± -	APPD 1-9-92 M. SNEED	PLUG, SERIES N	
MATERIAL	APPD 1-9-92 M. SNEED		
-	PRODUCT SPEC	SIZE	CAGE CODE
FINISH	-	③	00779
-	APPLICATION SPEC	SCALE	DRAWING NO
-	-	4:1	225361
WEIGHT	1.2 OZ MAX		SHEET
			1 OF 1