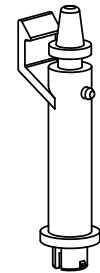
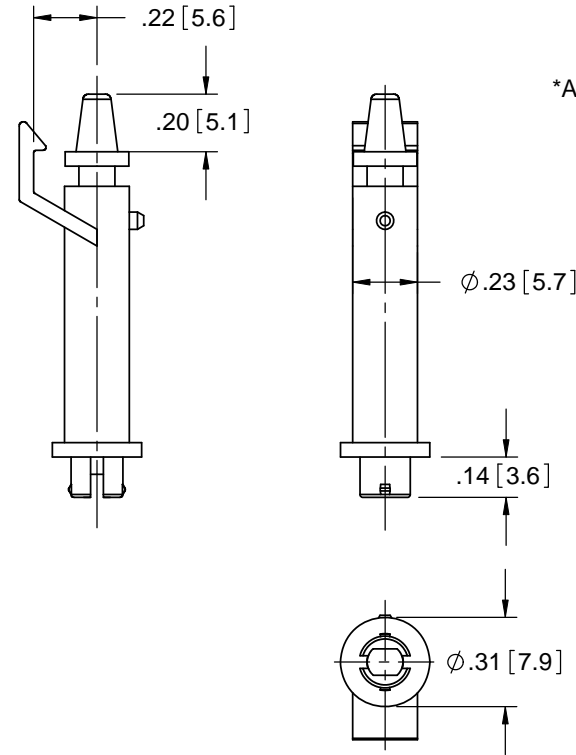
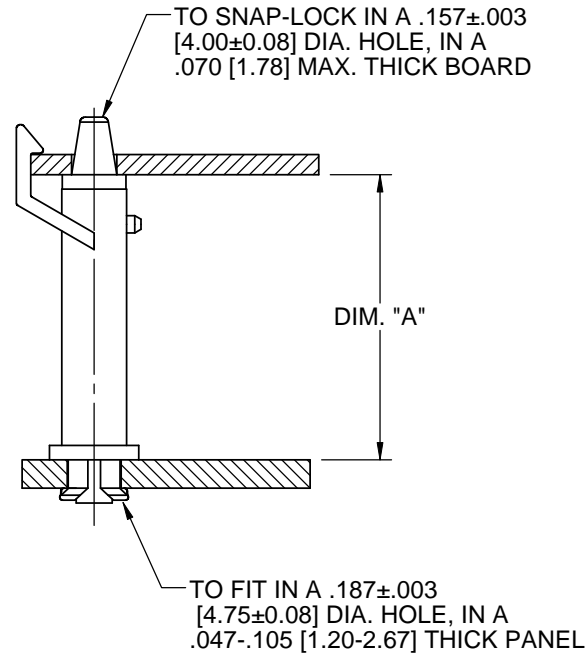


PART NO.	"A"
REHCBS-4-01	1/4 [6.4]
*REHCBS-5-01	5/16 [7.9]
REHCBS-8-01	1/2 [12.7]
*REHCBS-12-01	3/4 [19.1]

*AVAILABLE BY SPECIAL ORDER ONLY.



NOTES:
 1. MATERIAL: NYLON 6/6 (RMS-01)
 2. COLOR: NATURAL

REV.			TITLE: RIVET EDGE HOLD CIRCUIT BOARD SUPPORT				DWG IN IN [MM]		FINAL	
L	SEE CO 200604 FOR CHANGES	SK	12/01/10	FILE #: REHCBS	DWN: SK	APP: -				
K	UNOBSOLETE REHCBS-12, SEE CO 200571	SK	08/05/10	SHEET: 1 OF 1	SHEET SIZE: A	DT: 03/04/05	CHKD: -	PART #		
J	SEE CO 200041 FOR CHANGES	SK	09/28/07	RE: RICHCO, INC.		RICHCO, INC.		PRINT TYPE		
I	SEE ECN #957 FOR CHANGES	SK	03/04/05			ENG@RICHCO-INC.COM		CA		
-	SEE ENGINEERING FOR REV. A-H	--	----			(773) 539-4060		SEE TABLE		
REV.	DESCRIPTION	ENGR.	DATE							