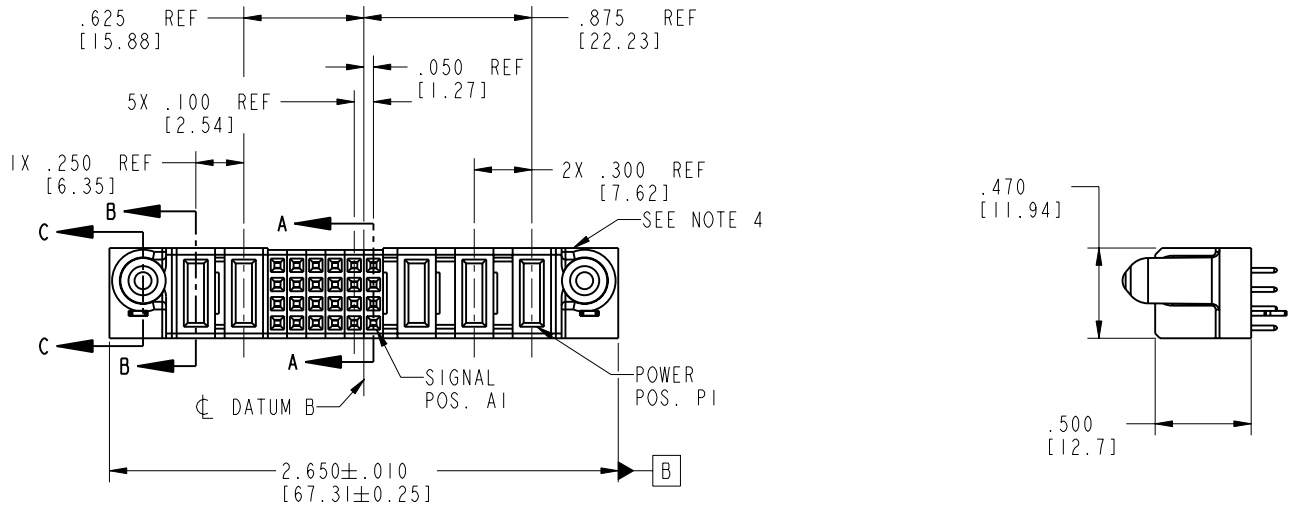


Tous droits strictement réservés. Reproduction ou communication o des liens interdite sous quelque forme que ce soit sans autorisation écrite du propriétaire. Propriété de c FCI. Droits de reproduction FCI.

All rights strictly reserved. Reproduction or issue to third parties in any form, whenever is not permitted without written authority from the proprietor. Property of FCI. Copyright FCI.

PRODUCT NO.	ROWS	POWER			SIGNAL					POWER			
		E2	P5	P4	6	5	4	3	2	1	P3	P2	P1
51940-185-- NOTE ③	D C B A												



CODE	DIM "M" MATING LENGTH	CONTACT TYPE
E	N/A [N/A]	SIGNAL
PA	.042 [1.07]	POWER
PD	.092 [2.34]	POWER
HA	N/A [N/A]	HOLD-DOWN

mat'l code				SEE NOTE 2		tolerances unless otherwise specified		CUSTOMER		 www.fciconnect.com	
ltr	ecn no.	dr	date	linear	.XX±.01/0.X±0.3		COPY		 INCH/MM	title	
A	DG06-0097	JMG	03/08/06		.XXX±.005/0.XXX±0.13		projection			3ACP + 24S + 2P	
				angles	.XXX±.0020/0.XXX±0.051		 scale		product family		
				dr	JM GUO	03/08/06	1:1		PwrBlade		
				engr	SLUO	03/08/06			code		
				chr	BEER FU	03/08/06			213		
				appd	JOSEPH HSIA	03/08/06			sheet		
sheet index		revision sheet		A	A	A	A			1 of 4	
1		2		3	4					cage code	
										22526	

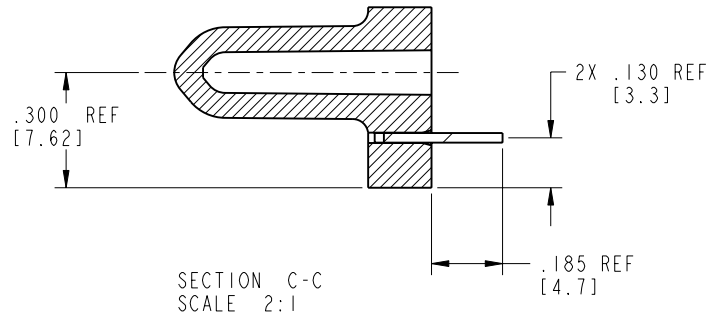
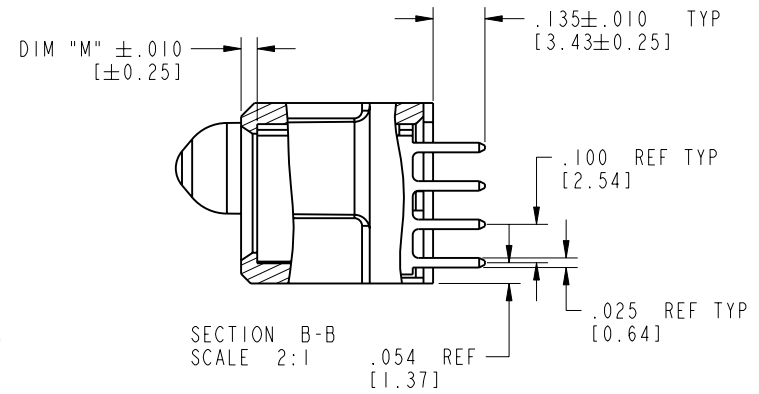
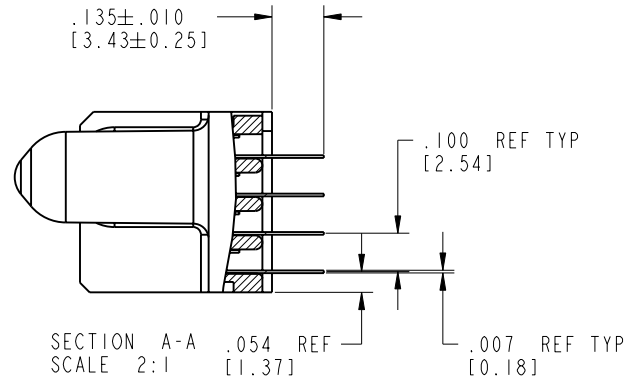
Pro/E

cage code 22526

Tous droits strictement réservés. Reproduction ou communication o des liers interdite sous quelque forme que ce soit sans autorisation écrite du propriétaire. Propriete de c FCI. Droits de reproduction FCI.

All rights strictly reserved. Reproduction or issue to third parties in any form, whatever is not permitted without written authority from the proprietor. Property of FCI. Copyright FCI.

PRODUCT NUMBER  
51940-185--  
NOTE(3)



mat'l code		SEE NOTE 2		tolerances unless otherwise specified		CUSTOMER		 www.fciconnect.com	
lfr	ecn no.	dr	date	linear	.XX±.01/0.X±0.3	COPY			
A				projection	.XXX±.005/0.XX±0.13			title 3ACP + 24S + 2P VERTICAL SOLDER RECEIPT	
				angles	.XXX±.0020/0.XXX±0.051	INCH/MM		product family PwrBlade code 213	
				dr	JM GUO 03/08/06	scale 1:1		size dwg no 51940-185 sheet 2 of 4	
				engr	SLUO 03/08/06				
				chr	BEER FU 03/08/06				
				appd	JOSEPH HSIA 03/08/06				
sheet index	revision sheet								

cage code 22526

Pro/E

PDM: Rev:A

STATUS: Released

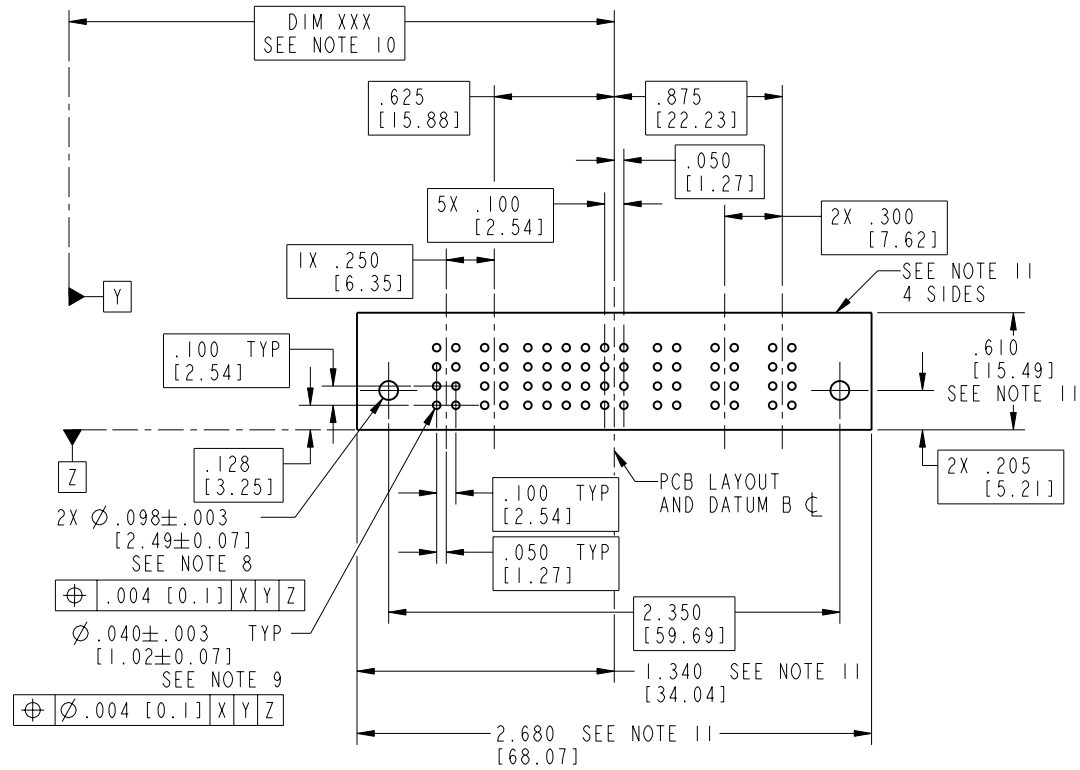
Printed: Dec 20, 2010

Tous droits strictement reserves. Reproduction ou communication o des liers interdite sous quelque forme que ce soit sans autorisation ecrite du proprietaire. Propriete de c FCI. Droits de reproduction FCI.

**A** **FCI**

All rights strictly reserved. Reproduction or issue to third parties in any form, whatever is not permitted without written authority from the proprietor. Property of FCI. Copyright FCI.

PRODUCT NUMBER  
51940-185--  
NOTE ③



mat'l code		SEE NOTE 2		tolerances unless otherwise specified		CUSTOMER		<b>A</b> <b>FCI</b>		www.fciconnect.com	
lfr	ecn no.	dr	date	linear	.XX ± .01/0.X ± 0.3	projection	COPY	title	3ACP + 24S + 2P VERTICAL SOLDER RECEIPT		
A				angles	.XXX ± .005/0.XXX ± 0.13 .XXXX ± .0020/0.XXX ± 0.051			product family	PwrBlade	code	213
				dr	JM GUO 03/08/06	INCH/MM		size	dwg no	sheet	
				engr	SLUO 03/08/06	scale	1:1	A	51940-185	3 of 4	
				chr	BEER FU 03/08/06						
				appd	JOSEPH HSIA 03/08/06						
sheet index	revision sheet										

1 | 2

Pro/E

3 |

cage code 22526

4

PDM: Rev:A

STATUS: Released

Printed: Dec 20, 2010

Tous droits strictement réservés. Reproduction ou communication o des liers interdite sous quelque forme que ce soit sans autorisation écrite du propriétaire. Propriete de c FCI. Droits de reproduction FCI.



All rights strictly reserved. Reproduction or issue to third parties in any form, whomever is not permitted without written authority from the proprietor. Property of FCI. Copyright FCI.

PRODUCT NUMBER

51940-185--  
NOTE ③

NOTES:

1. DIMENSIONS AND TOLERANCES ARE IN ACCORDANCE WITH ASME Y14.5M, 1994 UNLESS OTHERWISE SPECIFIED.

CONNECTOR NOTES:

- ② HOUSING MATERIAL: UL 94 V-0 GLASS FILLED  
HIGH-TEMP THERMOPLASTIC  
POWER CONTACT MATERIAL: COPPER ALLOY  
SIGNAL PIN MATERIAL: COPPER ALLOY
- 3. PLATING SPEC.  
51940-185,51940-185LF PLATING SPEC. WAS SHOWN IN THE PRINT OF 10064183.
- ④ MANUFACTURER'S NAME, P/N, AND DATE CODE TO APPEAR ON THIS SURFACE.
- 5. PRODUCT SPECIFICATION GS-12-149.  
APPLICATION SPECIFICATION BUS-20-067.
- 6. PACKAGED IN TRAYS.

PCB NOTES:

- 7. ALL HOLE DIAMETERS ARE FINISHED HOLE SIZE.
- ⑧ MOUNTING HOLES, WHERE APPLICABLE, ARE UNPLATED.
- ⑨  $\varnothing .0453 \pm .0010$  [1.151 ± 0.025] DRILLED HOLES PLATED WITH .0003 [0.008] MIN SnPb OVER .001 [0.03] TO .003 [0.08] Cu PLATING TO ACHIEVE  $\varnothing .040 \pm .003$  [1.02 ± .07] HOLE.
- ⑩ "DIM XXX" TO BE DETERMINED BY THE CUSTOMER.
- ⑪ CONNECTOR KEEP-OUT ZONE.

mat'l code		SEE NOTE 2		tolerances unless otherwise specified		CUSTOMER		www.fciconnect.com	
ltr	ecn no.	dr	date	linear	.XX±.01/0.X±0.3	COPY			
A				linear	.XXX±.005/0.XX±0.13	projection			title 3ACP + 24S + 2P VERTICAL SOLDER RECEPT
				angles	.XXX±.0020/0.XXX±0.051	INCH/MM			
				dr	JM GUO 03/08/06	scale		product family PwrBlade code 213 size dwg no 51940-185 sheet 4 of 4	
				engr	SLUO 03/08/06	1:1			
				chr	BEER FU 03/08/06				
				appd	JOSEPH HSIA 03/08/06				
sheet index	revision sheet								

coge code 22526

Pro/E

PDM: Rev:A

STATUS: Released

Printed: Dec 20, 2010