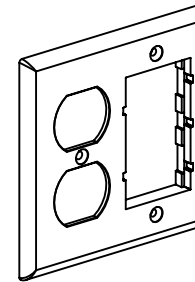
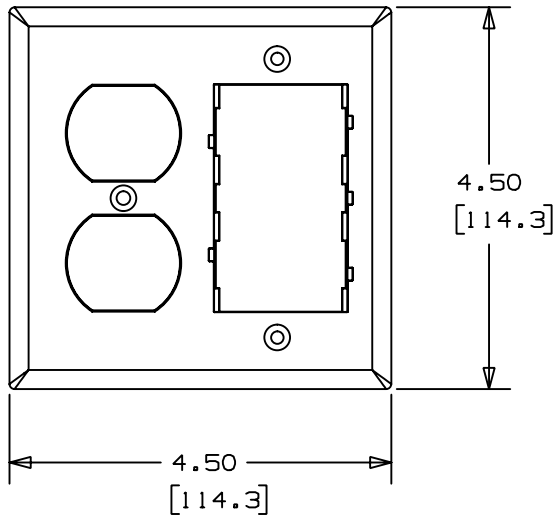
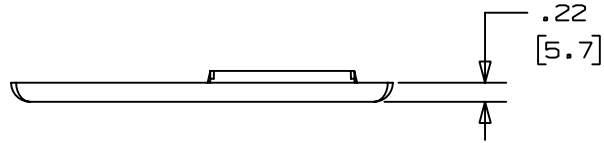


THIS COPY IS PROVIDED ON A RESTRICTED BASIS AND IS NOT TO BE USED IN ANY WAY DETRIMENTAL TO THE INTERESTS OF PANDUIT CORP.



PANDUIT P/N	WEIGHT
FP2DC	.7 LB/10 PCS (316 g/10 PCS)

NOTES:

- SEE CURRENT CATALOG FOR ADDITIONAL PART SUFFIXES TO INDICATE COLOR AND OR PACKAGE QUANTITY.
- COVERS STANDARD DUPLEX ELECTRICAL DEVICES AND PROVIDES PROPER SIZED OPENING TO ACCEPT TWO MINI-COM SLOPED OR FLAT INSERTS.
- THIS PART IS SUPPLIED WITH ONE #6-32 X 3/8" SLOTTED COUNTERSUNK OVAL HEAD SCREW AND TWO #6-20 X 3/4" SLOTTED COUNTERSUNK OVAL HEAD SCREWS. SCREW HEADS HAVE PAINTED FINISH TO MATCH.
- DIMENSIONS IN PARENTHESES ARE IN METRIC.

CAD FILENAME/LAYERS D36282BF_DC_FP2DC_01

PANDUIT CORP. TINLEY PARK, ILLINOIS
 2 GANG COMMUNICATIONS AND DUPLEX ELECTRICAL DEVICE FACEPLATE (FP2DC)
 CUSTOMER DRAWING

UNLESS OTHERWISE SPECIFIED, DIMENSIONAL TOLERANCES ARE:
 (.X) ± (.XXX) ±
 (.XX) ±.03 (.8) ANGLES ±

UNLESS OTHERWISE SPECIFIED, ALL DIMENSIONS ARE GIVEN IN INCHES, THIRD ANGLE PROJECTION.

REV	DATE	BY	CHK	DESCRIPTION	ECN	CHK	CUST	SUP
I	10-14-98	DW	HIW	A. MATERIAL WAS PVC.	36282-06	HIW	HIW	
R	11-06-97	DW	HIW	RELEASED TO PRODUCTION.	36282-06	HIW		

DRAWN BY DW	MAT'L: ABS	SCALE NONE
DATE 11-06-97	A	DRAWING NO. 36282-06
CHECKED BY HIW		DWG A SIZE