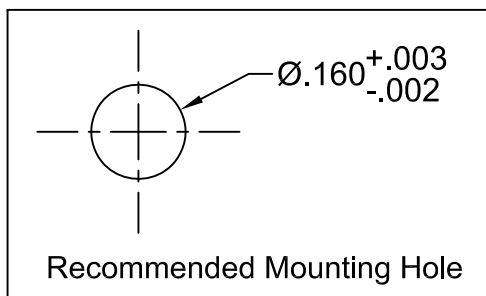
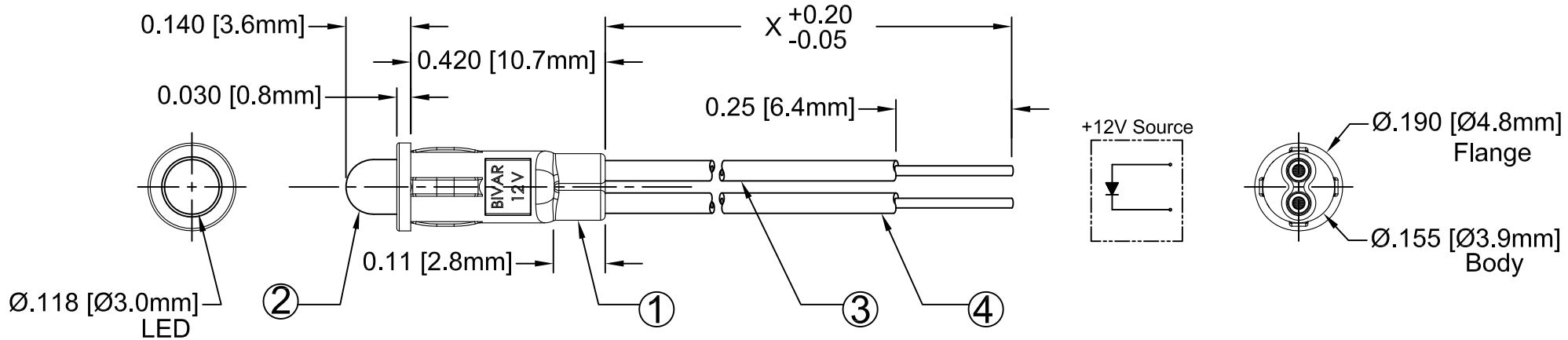
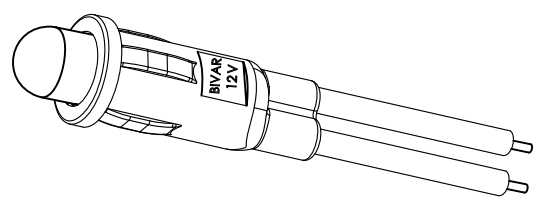


| ITEM | Q'TY | PART NUMBER | PART DESCRIPTION |
|------|------|---------------|---|
| 1 | 1 | PM3-12V | 12V LED Holder, Panel Mount, Press Fit, (3mm) |
| 2 | 1 | 3XX12V-S | T-1 (3mm) Non-Flange, Shouldered LED, 12 Volt |
| 3 | 1 | BWS24-1061-RD | 24AWG Wire Lead U.L. 1061, Red |
| 4 | 1 | BWS24-1061-BK | 24AWG Wire Lead U.L. 1061, Black |

| REV. | DESCRIPTION | DATE | APPROVED |
|------|---------------------|----------|----------|
| A | Engineering Release | 10/02/08 | M. C. |
| B | Updated LED to -S | 11/14/08 | T. Y. |
| | | | |
| | | | |



EXAMPLE:
PM3RD12VW6.5*
 Wire Length "X"
 12 Volt Internal Resistor
 LED Color & Lens Appearance.
 Series





ABSOLUTE MAXIMUM RATINGS (Ta = 25°C)

| | |
|--|---------------------|
| REVERSE VOLTAGE | 5V |
| REVERSE CURRENT (VR=5V) | 100µA |
| OPERATING TEMPERATURE RANGE | -25°C ~ 85°C |
| STORAGE TEMPERATURE | -30°C ~ 100°C |
| LEAD SOLDERING TEMPERATURE (1/16" FROM BODY) | 260°C for 5 Seconds |

| | | | |
|---|--------------------------|--|---------------------------------|
| STANDARD TOLERANCE (UNLESS OTHERWISE SPECIFIED) | | BIVAR ® 4 THOMAS, IRVINE, CA. 92618 TEL: (949) 951-8808 FAX: (949) 951-3974 | |
| DECIMALS | ANGULAR | | |
| .X ± .1 | X° ± 1° | | |
| .XX ± .02 | | TITLE: T-1 (3mm) PANEL MOUNT ASSEMBLY | |
| .XXX ± .010 | | | PART NO: PM3XX12VWX.X |
| DESIGNED: Raffy Paje | DATE: 10/02/08 | REVISION: B | |
| CHECKED: Fred Jensen | DATE: 10/02/08 | CAGE CODE : 32559 SHEET # 1 OF 2 | |
| CAD GENERATED DOCUMENT, DO NOT MEASURE DRAWING. | | | |

| REV. | DESCRIPTION | DATE | APPROVED |
|------|--------------|------|----------|
| | SEE SHEET#1. | | |
| | | | |

| LED Assembly No. | Chip | | | Lens Appearance | Absolute Max. Ratings | | Electro-Optical Data @ 12V | | Viewing Angle 2 Θ ½ (Deg) | LED P/N |
|------------------|-----------|----------------------------|---------------|-----------------|-----------------------|-------------|----------------------------|---------------|---------------------------------|----------|
| | Material | Peak Wave Length λp(nm) | Emitted Color | | If (mA) | Peak If(mA) | Vf (V) Max. | Iv (mcd) Typ. | | |
| PM3GC12VWX.X | GaP/GaP | 568 | GREEN | WATER CLEAR | 10 | 12 | 12 | 40 | 30 | 3GC12V-S |
| PM3GD12VWX.X | GaP/GaP | 568 | GREEN | DIFFUSED | 10 | 12 | 12 | 25 | 40 | 3GD12V-S |
| PM3HC12VWX.X | GaP/GaP | 625 | HE RED | WATER CLEAR | 10 | 12 | 12 | 50 | 30 | 3HC12V-S |
| PM3HD12VWX.X | GaP/GaP | 625 | HE RED | DIFFUSED | 10 | 12 | 12 | 30 | 40 | 3HD12V-S |
| PM3RC12VWX.X | GaP/GaP | 700 | RED | WATER CLEAR | 10 | 12 | 12 | 6 | 30 | 3RC12V-S |
| PM3RD12VWX.X | GaP/GaP | 700 | RED | DIFFUSED | 10 | 12 | 12 | 2 | 40 | 3RD12V-S |
| PM3YC12VWX.X | GaAsP/GaP | 590 | YELLOW | WATER CLEAR | 10 | 12 | 12 | 40 | 30 | 3YC12V-S |
| PM3YD12VWX.X | GaAsP/GaP | 590 | YELLOW | DIFFUSED | 10 | 12 | 12 | 25 | 40 | 3YD12V-S |

| | | | |
|---|--------------------------|--|--------------------------|
| STANDARD TOLERANCE (UNLESS OTHERWISE SPECIFIED) ±10% ALL VALUES ANGULAR | |  BIVAR ® 4 THOMAS, IRVINE, CA. 92618 TEL: (949) 951-8808 FAX: (949) 951-3974 | |
|  | | | |
| | | DESIGNED: Raffy Paje | DATE: 10/02/08 |
| CHECKED: Fred Jensen | DATE: 10/02/08 | CAGE CODE : 32559 | SHEET # 2 OF 2 |
| CAD GENERATED DOCUMENT, DO NOT MEASURE DRAWING. | | | |