

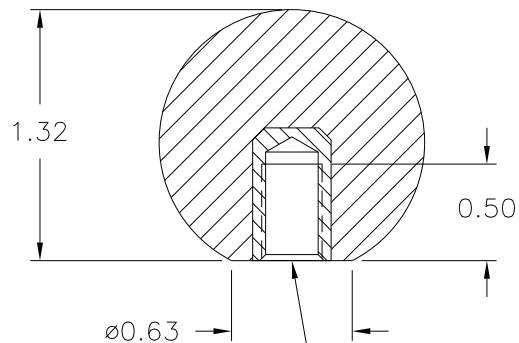
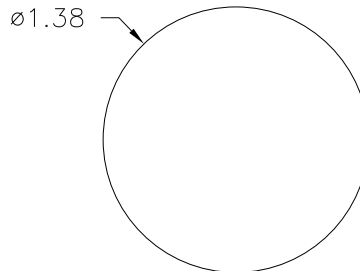
PART NAME: BALL KNOB SCALE: 1:1 DATE: 7/2/85 DR. BY HD

THIS DRAWING IS THE PROPERTY OF DAVIES MOLDING COMPANY, IS SUBMITTED SOLELY AS A DESIGN OR ENGINEERING PROJECT. WE ACCEPT NO RESPONSIBILITY WHATSOEVER FOR THE PRACTICAL APPLICATION OF THE PIECES MADE TO THIS DESIGN.



DESIGNERS & MANUFACTURERS OF KNOBS, HANDLES, CASES & CUSTOM PLASTIC COMPONENTS

| | |
|------------------|----------|
| P/N | 0033-E |
| M ^{NO.} | 3220 |
| CAVITY | 0033 |
| PLUNGER | 0033 |
| PINS | 35-E&E-2 |
| SHIM | 0.220 |
| INSERT | I0528 |



5/16-18 UNC-2B THREAD
I0528, H.H. BRASS

MATERIAL: G.P. PHENOLIC (B11)
COLOR: BLACK

| | | | | | |
|---|-----------------------------------|---|---------------|----|----------|
| TOLERANCES: UNLESS OTHERWISE SPECIFIED | DO NOT SCALE DRAWING | | | | |
| DECIMALS: X.XXX ± .005 X.XX ± .015 | MM: X.XX ± 0.15MM X.X ± 0.4MM | - | RE-DID REDRAW | TL | 10/28/99 |
| FRACTIONS ± 1/64 | ANG. ± 1° | - | CAD REDRAW | HD | 6/9/92 |
| CHANGES | | | | | |