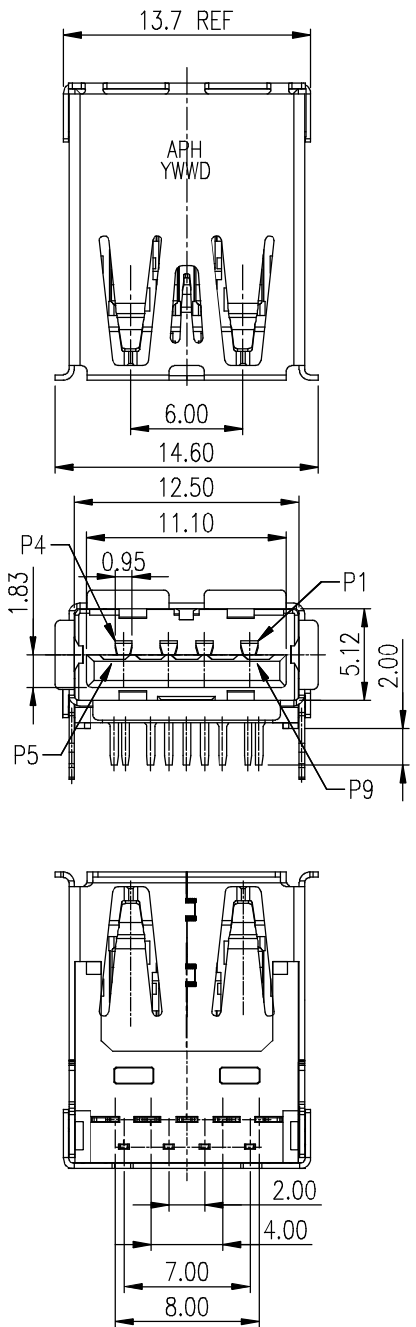


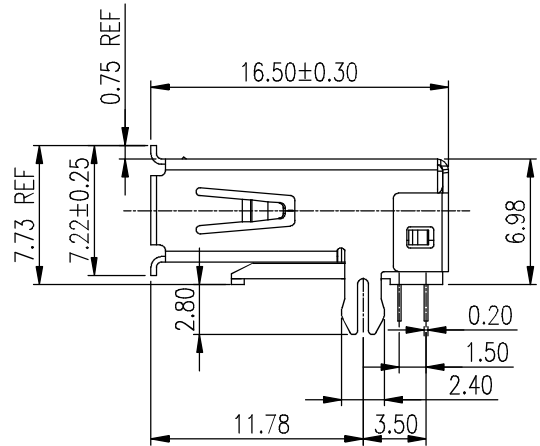
This document is the property of Amphenol Corporation and is delivered on the express condition that it is not to be disclosed, reproduced or used, in whole or in part, for manufacture or sale by anyone other than Amphenol Corporation without its prior consent, and that no right is granted to disclose or to use any information in this document.

The marking on this product doesn't contain environmental hazardous materials per Material Specification SS-00259 for Sony GP compliant or per directive 2011/65/EC for RoHS compliant.



PART NO. GSB311AX1EU

PLATING OF SOLDERING AREA
 4: 100u" MATTE TIN
 5: 2u" MIN. GOLD

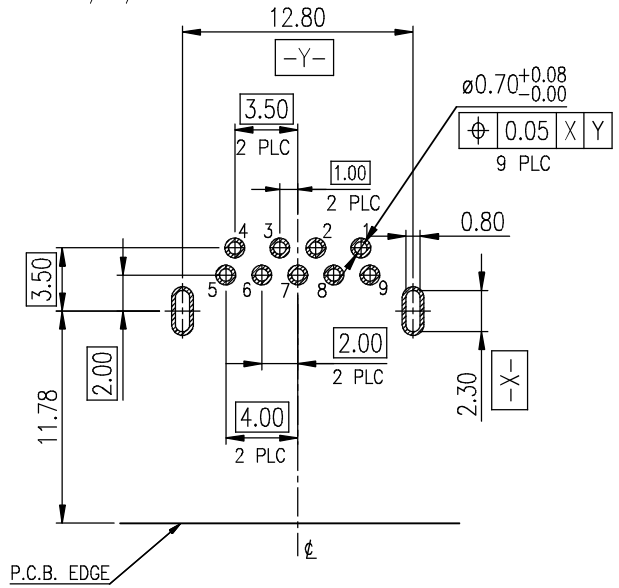


PIN NUMBER	SIGNAL NAME
1	VBUS
2	D-
3	D+
4	GND
5	StdA_SSRX-
6	StdA_SSRX+
7	GND_DRAIN
8	StdA_SSTX-
9	StdA_SSTX+

REVISIONS				
SYM	ECN No.	DESCRIPTION	DATE	APPROVED
A		RELEASE REVISION	10/25/2010	Arron Lin
B	EN-11036	ADDED DATE CODE	03/18/2011	Arron Lin
CX1	EDSR#5583	UPDATE DRAWING	05/29/2015	Arron Lin
CX2		ADDED DIM	06/01/2015	Arron Lin
CX3		UPDATE PACKAGE DRAWING	06/15/2015	Arron Lin
CX4		UPDATE DRAWING FOR CURRENT SAMPLE	06/22/2015	Arron Lin

NOTES:

- MATERIAL:
 - HOUSING: HIGH TEMPERATURE THERMAL PLASTIC LCP , UL94V-0, COLOR: BLUE.
 - SPACER: HIGH TEMPERATURE THERMAL PLASTIC LCP, UL94V-0, COLOR: BLUE.
 - USB 3.0 TERMINAL: COPPER ALLOY, USB 2.0 TERMINAL: COPPER ALLOY.
 - FRONT SHELL: STAINLESS STEEL.
 - REAR SHELL: STAINLESS STEEL.
- FINISH:
 - TERMINAL:
 - CONTACT AREA: GOLD PLATING 2 μ" THICKNESS MIN. OVER PALLADIUM NICKEL PLATING 30μ" THICKNESS MIN;
 - SOLDERING AREA: MATTE TIN PLATING 100 μ" THICKNESS MIN. OR GOLD PLATING 2 μ" THICKNESS MIN.;
 - UNDER PLATING: NICKEL PLATING 80 μ" THICKNESS MIN. OVERALL.
 - FRONT SHELL: NICKEL PLATING 30 μ" THICKNESS MIN. OVERALL.
- THIS PRODUCT DOESN'T CONTAIN ENVIRONMENTAL HAZARDOUS PER DIRECTIVE 2011/65/EC FOR RoHS COMPLIANT.



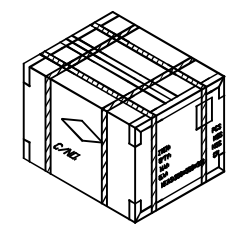
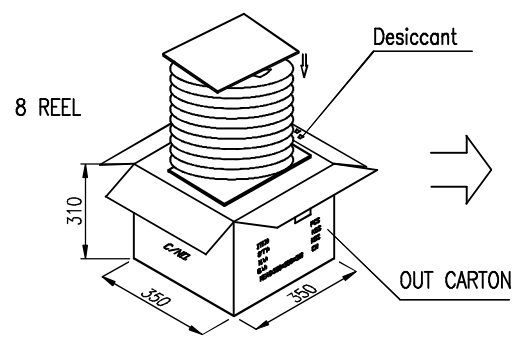
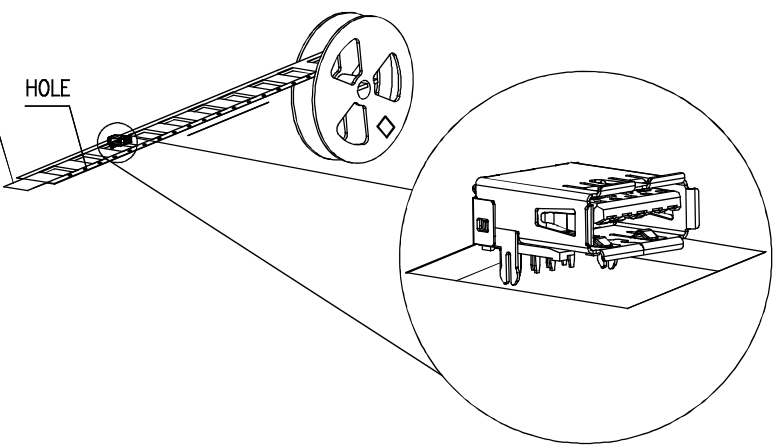
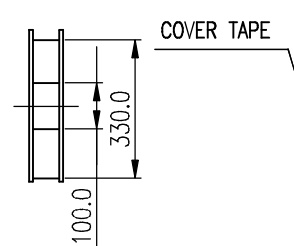
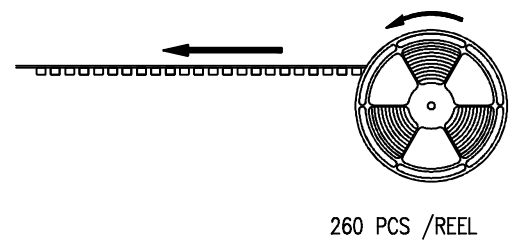
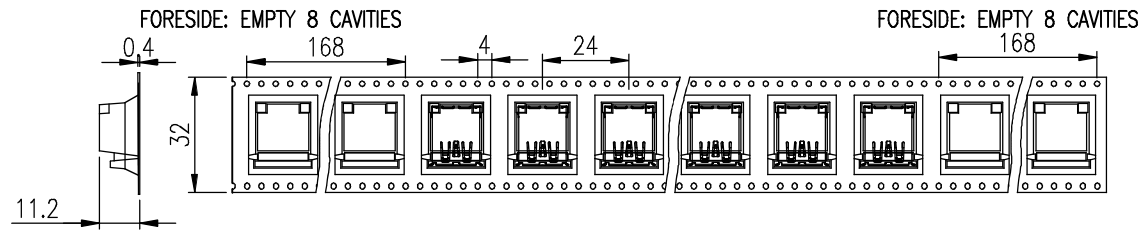
RECOMMEND P.C.B LAYOUT (THICKNESS=1.2mm)
 (COMPONENT SIDE) TOLERANCE±0.03

TOLERANCE	APPROVALS	DATE	TITLE		PART No.	
X. ±0.30	DRAWN Debby Hung	06/22/2015	USB 3.0 RECEPTACLE, REVERSE TYPE, CENTER HEIGHT= 4.13MM		Amphenol® Amphenol Corporation Amphenol Taiwan Corporation	
X.X ±0.20						
X.XX ±0.10	CHECKED Roger Tsai	06/22/2015			PART No. GSB311AX1EU	
ANGULAR ±1°	APPROVED Arron Lin	06/22/2015			REV. CX4	
UNLESS OTHERWISE SPECIFIED	DWG TYPE CUST DWG	PROJECT CODE OTHER	UNIT mm	SCALE NA	SIZE A3	SHEET 1 OF 2
					DWG No. GSB311AX1EU	

This document is the property of Amphenol Corporation and is delivered on the express condition that it is not to be disclosed, reproduced or used, in whole or in part, for manufacture or sale by anyone other than Amphenol Corporation without its prior consent, and that no right is granted to disclose or to use any information in this document.

The marking on this product doesn't contain environmental hazardous materials per Material Specification SS-00259 for Sony GP compliant or per directive 2011/65/EC for RoHS compliant.

REVISIONS				
SYM	ECN No.	DESCRIPTION	DATE	APPROVED
A		RELEASE REVISION	10/25/2010	Arron Lin
B	EN-11036	ADDED DATE CODE	03/18/2011	Arron Lin
CX1	EDSR#5583	UPDATE DRAWING	05/29/2015	Arron Lin
CX2		ADDED DIM	06/01/2015	Arron Lin
CX3		UPDATE PACKAGE DRAWING	06/15/2015	Arron Lin
CX4		UPDATE DRAWING FOR CURRENT SAMPLE	06/22/2015	Arron Lin



2080PCS /OUT CARTON

260	8	2080	5.1	8.7	GSB311AX1EU
PCS/REEL	REELS/BOX	QUANTITY (PCS)	G/W (Kg)	N/W (Kg)	PART NUMBER

TOLERANCE	APPROVALS	DATE
X. ±0.30	DRAWN Debby Hung	06/22/2015
X.X ±0.20	CHECKED Roger Tsai	06/22/2015
X.XXX ±0.10	APPROVED Arron Lin	06/22/2015
ANGULAR ±1°	DWG TYPE CUST DWG	PROJECT CODE OTHER
UNLESS OTHERWISE SPECIFIED		

TITLE		
USB 3.0 RECEPTACLE, REVERSE TYPE, CENTER HEIGHT= 4.13MM		
UNIT mm	SIZE A3	PART No. GSB311AX1EU
SCALE NA	SHEET 2 OF 2	DWG No. GSB311AX1EU
		REV. CX4

Amphenol®
 Amphenol Corporation
 Amphenol Taiwan Corporation