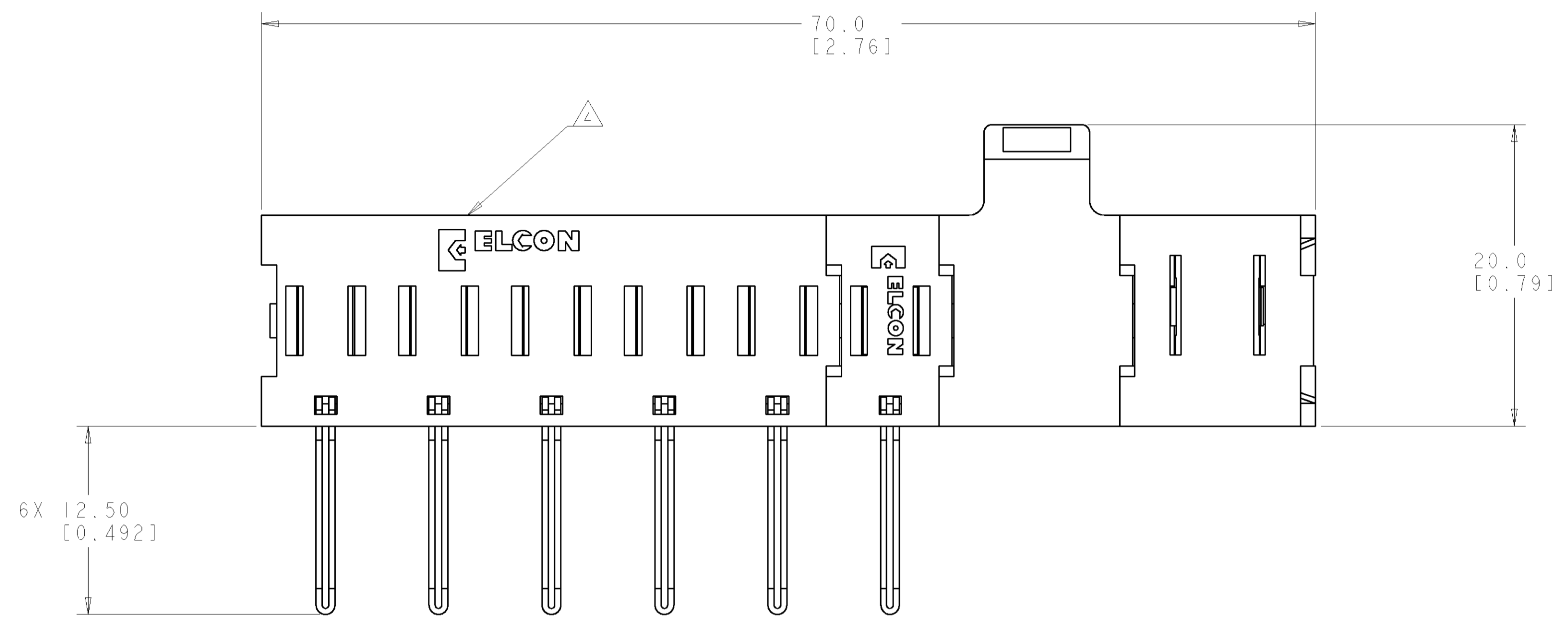


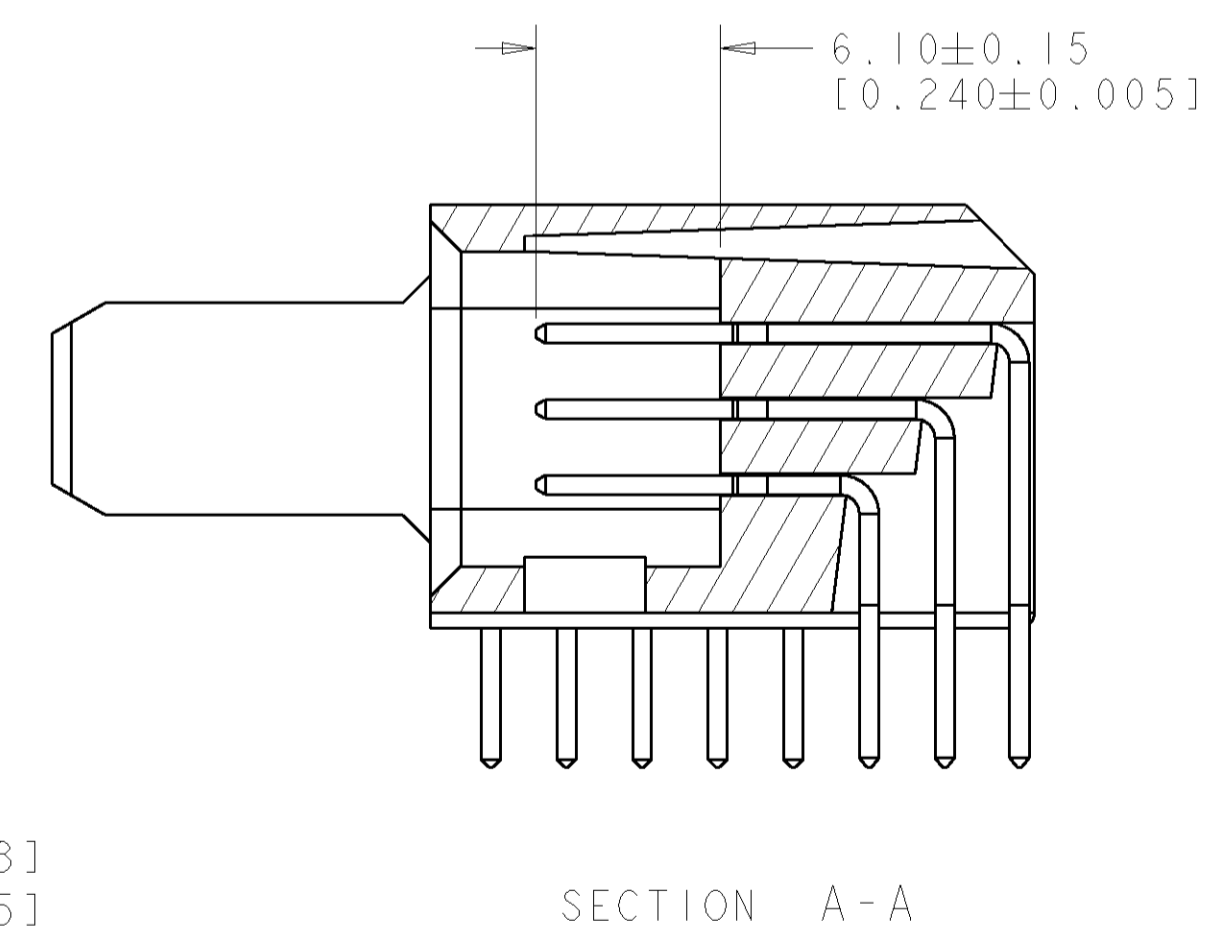
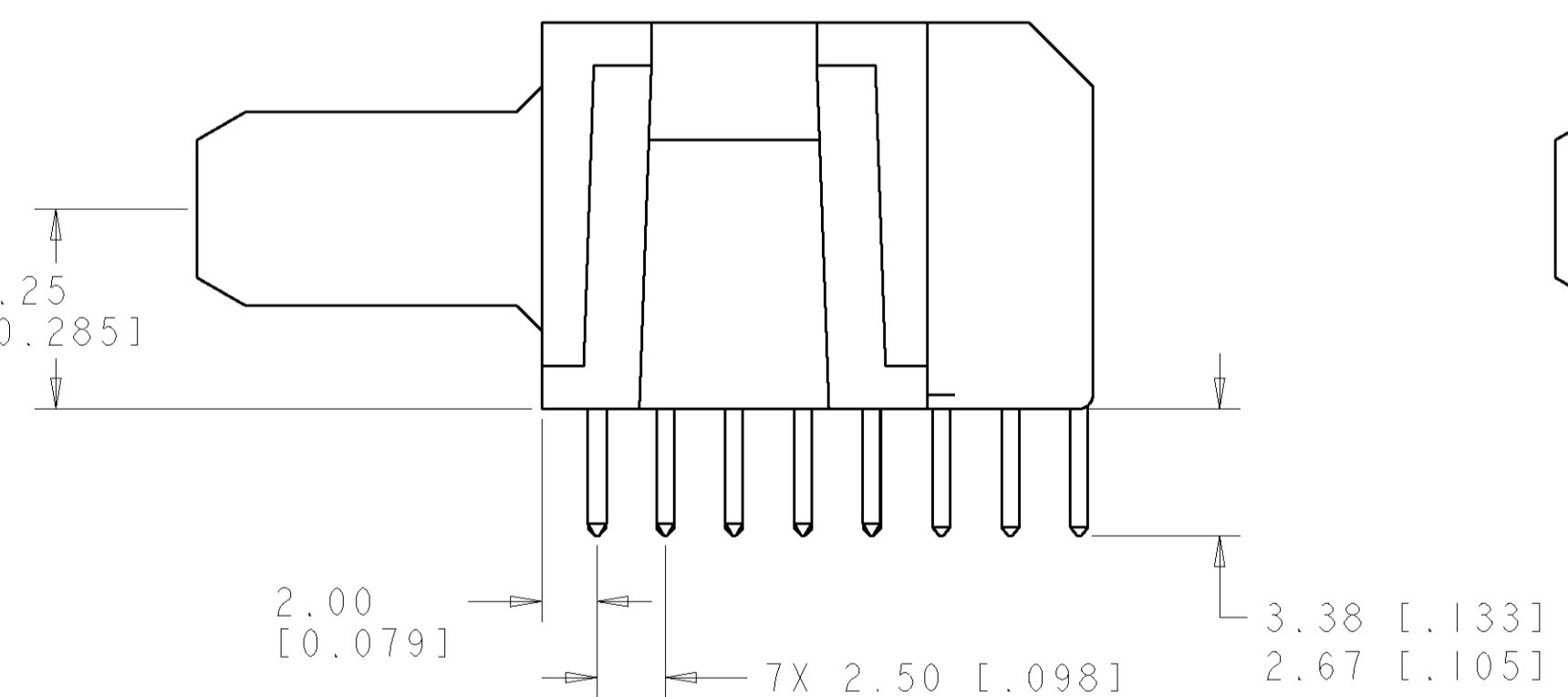
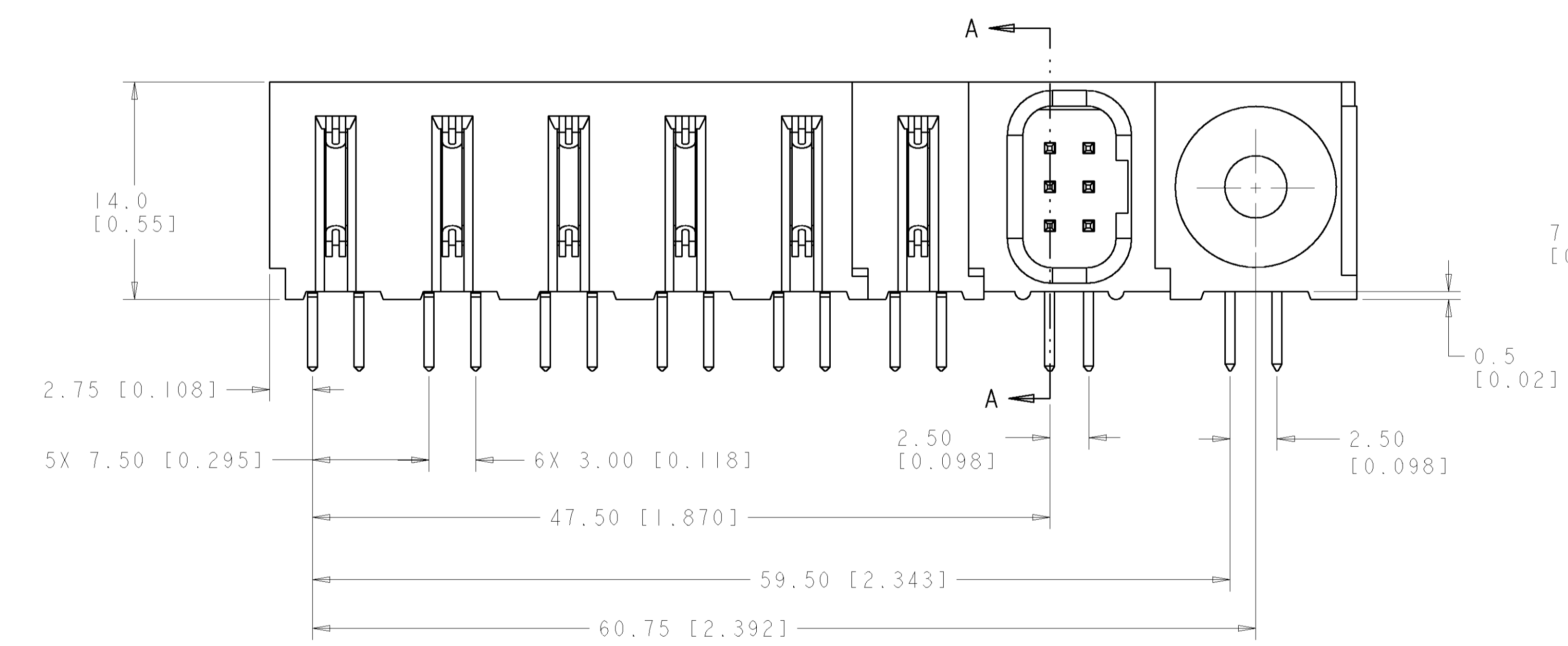
LOC		DIST		REVISIONS			
GP	00	P	LTR	DESCRIPTION	DATE	DWN	APVD
		A		NEW RELEASE	12FEB2007	RG	PD



- PART NUMBER CHANGES AND OR DESIGN CHANGES AFFECTING ITEM INTERCHANGEABILITY REQUIRE PRIOR TYCO APPROVAL AND AUTHORIZATION BY REVISION TO THIS DRAWING.
- MATERIAL:
 - INSULATORS - THERMOPLASTIC, GLASS REINFORCED, COLOR: BLACK, UL94V-0 FLAMMABILITY RATED.
 - SIGNAL CONTACTS: PHOSPHOR BRONZE ALLOY
 - POWER CONTACTS - PHOSPHOR BRONZE ALLOY, COPPER ALLOY
 - CROWN BANDS: BERYLLIUM COPPER ALLOY
- FINISH:
 - CONTACTS - GOLD PLATE .76µm MIN. THK., OVER NICKEL
 - 1.27µm MIN. THK.
 - SOLDER TAILS TIN 3.05µm MIN. THK. OVER NICKEL
 - 1.27µm MIN. THK.

ITEMS PROVIDED TO THIS SPECIFICATION TO BE PERMANENTLY IDENTIFIED PER THE FOLLOWING IDENTIFIER LABEL

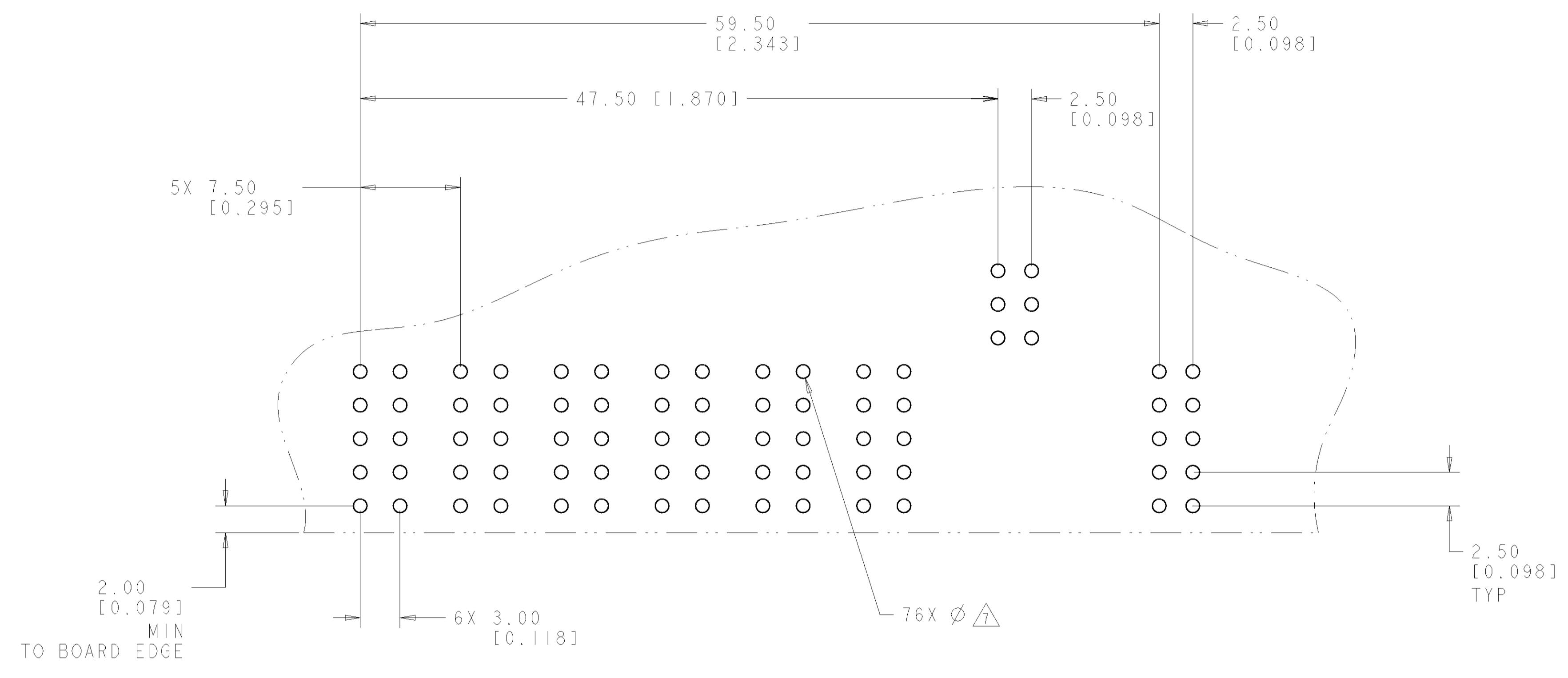
YEAR WEEK
 TYCO PART NO. DATE CODE (e.g. 0106)
 XXXXXXXX-X XXXX



ELCON FLATPAQ

DIMENSIONS: mm [INCHES]		TOLERANCES UNLESS OTHERWISE SPECIFIED:		DWN: R. GRZYBOWSKI 9FEB07		AS SHOWN		6646906-1	
0 PLC ±.5 [0.020]		1 PLC ±.5 [0.020]		CHK: P. DAMATO 9FEB07		DESCRIPTION		PART NUMBER	
2 PLC ±.25 [0.010]		3 PLC ±.25 [0.010]		APVD: S. FLICKINGER 9FEB07		PIN CONNECTOR ASSEMBLY		RIGHT ANGLE	
4 PLC ±.25 [0.010]		5 PLC ±.25 [0.010]		PRODUCT SPEC		SOLDER TAILS		RESTRICTED TO	
6 PLC ±.25 [0.010]		7 PLC ±.25 [0.010]		APPLICATION SPEC		SIZE: CAGE CODE: DRAWING NO.		SCALE: 4:1 SHEET 1 OF 3 REV A	
ANGLES ±.5		FINISH		WEIGHT		A100779C=6646906			
MATERIAL		FINISH		CUSTOMER DRAWING					

LOC	DIST	REVISIONS			
P	LTR	DESCRIPTION	DATE	DNW	APVD
-	-	SEE SHEET 1	-	-	-

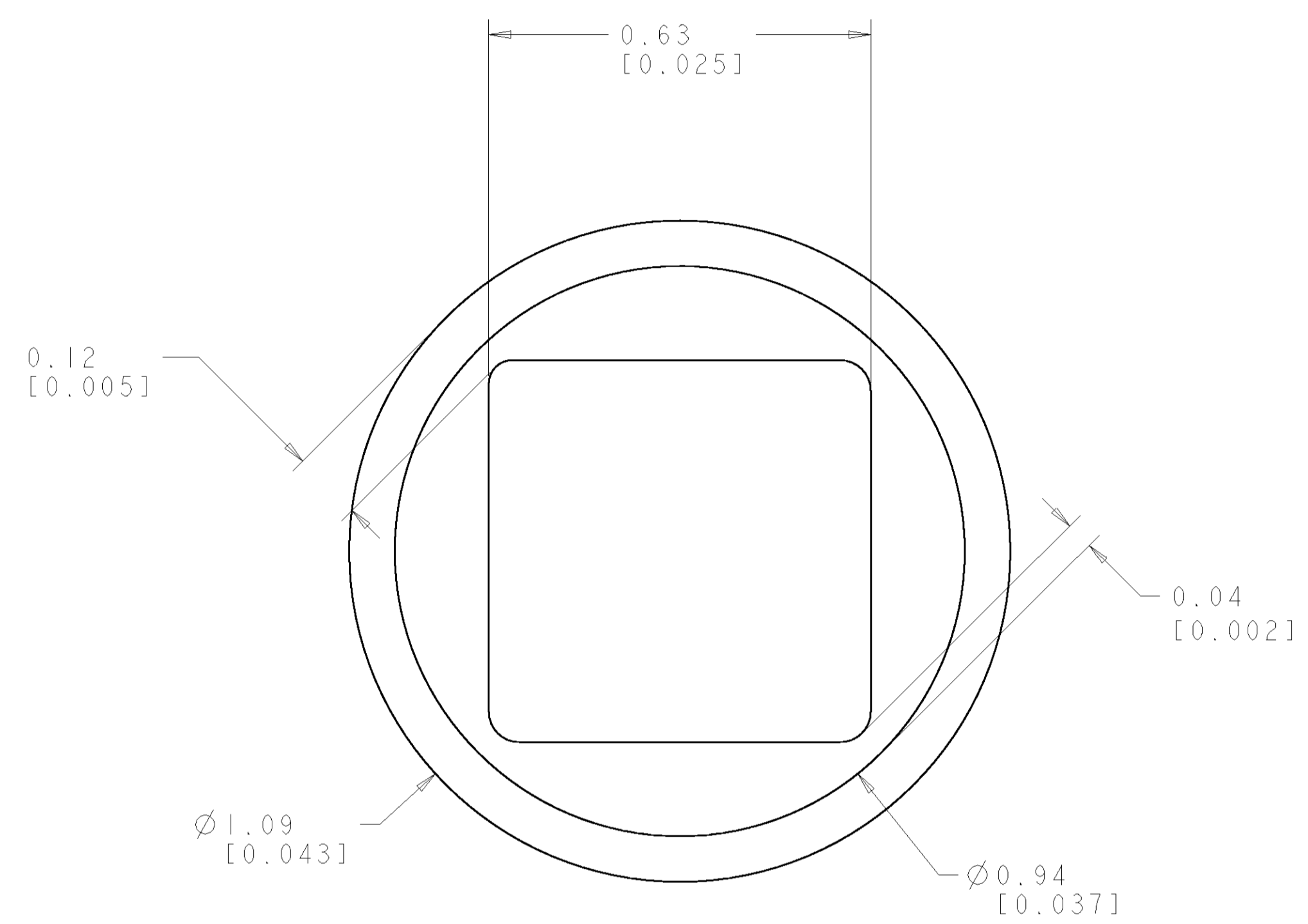
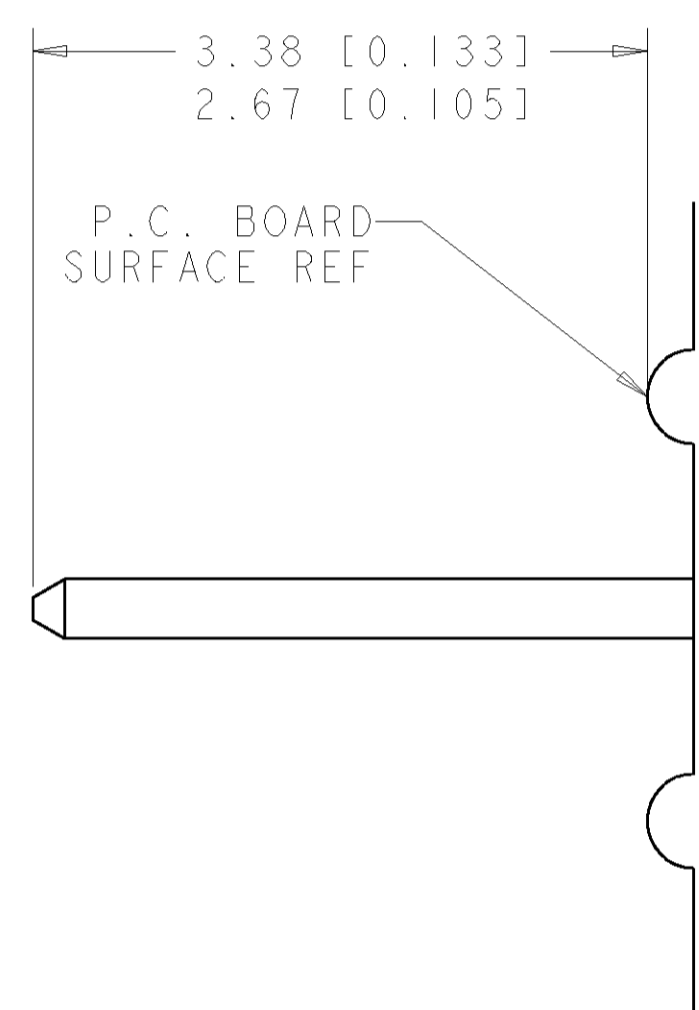


PRINTED CIRCUIT LAYOUT
 COMPONENT SIDE

CONNECTOR	CATALOG MODULE #	QTY	SIZE NO.	CONTACT QTY	MATING PIN	MAX. CURRENT (PER CONTACT)	CONTACT SPACING	VOLTAGE RATING
PIN	FP314	1	22	6	.64 [0.025] SO.	3 amps	2.50 [0.0984]	125
	FPI52	6	8	12	1.25 X 7.00 [0.049 X .276]	35 amps	7.50 [0.2953]	250
	FP516	1	RIGHT ANGLE GUIDE SOCKET					

DIMENSIONS: mm [INCHES] TOLERANCES UNLESS OTHERWISE SPECIFIED: 0 PLC ±.5 [0.020] 1 PLC ±.5 [0.020] 2 PLC ±.25 [0.010] 3 PLC ±.25 [0.010] 4 PLC ±.25 [0.010] ANGLES ±.5		DWN: B. GRZYBOWSKI 9FEB07 CHK: P. DAMATO 9FEB07 APVD: S. FLICKINGER 9FEB07		Tyco Electronics Harrisburg, PA 17105-3608	
MATERIAL: - FINISH: -		WEIGHT: - CUSTOMER DRAWING		NAME: PIN CONNECTOR ASSEMBLY RIGHT ANGLE SOLDER TAILS SIZE: A 00779 C=6646906 SCALE: 4:1 SHEET 2 OF 3 REV A	

LOC	DIST	REVISIONS					
GP	00	P.	LTR	DESCRIPTION	DATE	DWN	APVD
-	-	-	-	SEE SHEET 1	-	-	-



6. SOLDER PIN DETAIL
 SCALE 10 : 1

△ SOLDER TERMINATION AREA
 SCALE 40:1
 RECOMMENDED PRINTED CIRCUIT HOLE
 FINISHED HOLE: Ø1.02 [0.040] ± .08 [0.003]
 DRILLED HOLE: Ø1.15 [0.0453] ± .013 [0.0005]
 COPPER PLATE: .025 [0.0010] MIN. (PER SURFACE)
 TIN PLATE: .008 [0.0003] MIN. (PER SURFACE)

ELCON FLATPAQ

<small>THIS DRAWING IS UNPUBLISHED. RELEASED FOR PUBLICATION BY TICO ELECTRONICS CORPORATION. ALL RIGHTS RESERVED.</small>		DWN R. GRZYBOWSKI 9FEB07 CHK P. DAMATO 9FEB07 APVD S. FLICKINGER 9FEB07	tyco Tyco Electronics Harrisburg, PA 17105-3608
DIMENSIONS: mm [INCHES]	TOLERANCES UNLESS OTHERWISE SPECIFIED: 0 PLC ± 1 PLC ±.5 [0.020] 2 PLC ±.25 [0.010] 3 PLC ± 4 PLC ± ANGLES ±.5 FINISH -	PRODUCT SPEC APPLICATION SPEC WEIGHT - CUSTOMER DRAWING	NAME PIN CONNECTOR ASSEMBLY RIGHT ANGLE SOLDER TAILS SIZE CAGE CODE DRAWING NO RESTRICTED TO A 100779 C=6646906 - SCALE 4:1 SHEET 3 OF 3 REV A