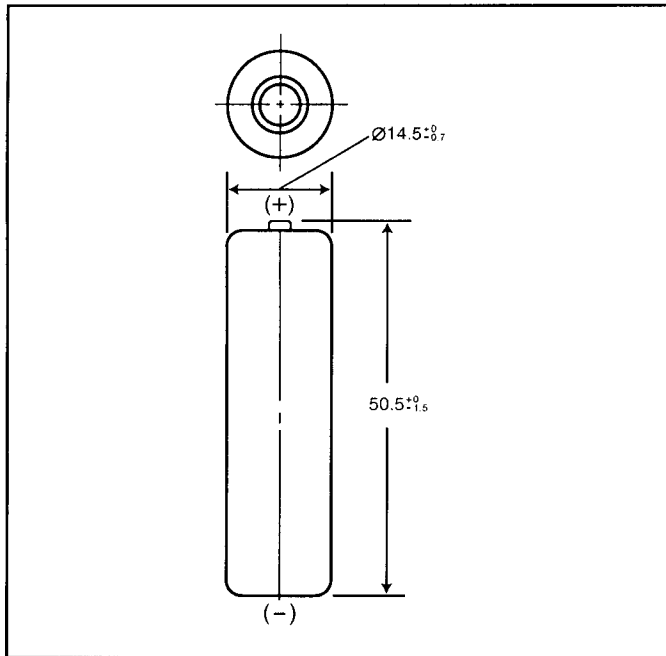


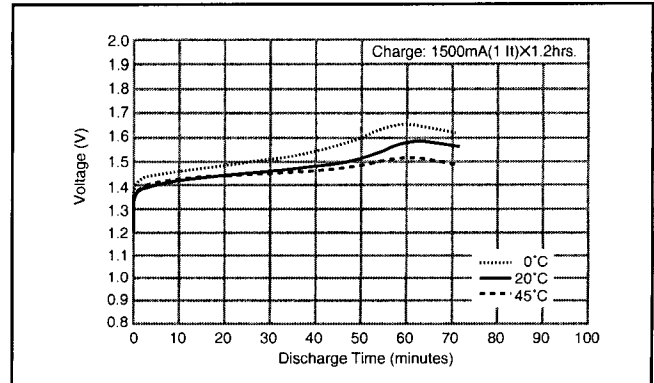
NICKEL METAL HYDRIDE BATTERIES: INDIVIDUAL DATA SHEET

HHR160AA/B Cylindrical AA size (HR 15/51)

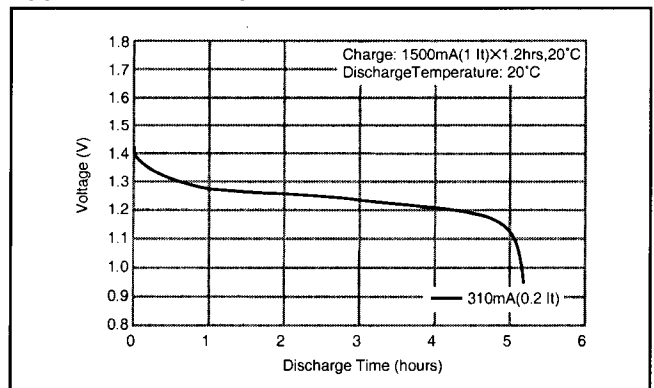
Dimensions (with Tube) (mm)



Typical Charge Characteristics



Typical Discharge Characteristics



Specifications

	mm	inch
Diameter	14.5 +0 / -0.7	0.57 +0 / -0.03
Height	50.0 +0 / 1.0	1.97 +0 / -0.04
Approximate Weight	Grams	Ounces
	31	1.09

Nominal Voltage		1.2V		
Discharge Capacity*	Average**	1600mAh		
	Rated (Min.)	1550mAh		
Approx. Internal impedance at 1000Hz at charged state.		23mΩ		
Charge	Standard	155mA (0.1It) x 16hrs.		
	Rapid	1500mA (1It) x 1.2hrs.		
Ambient Temperature	Charge	Standard	°C	
			°F	
	Discharge	Standard	0°C to 45°C	32°F to 113°F
			0°C to 40°C	32°F to 104°F
Storage	Standard	-10°C to 65°C	14°F to 149°F	
		< 1 years	-20°C to 35°C	-4°F to 95°F
		< 3 months	-20°C to 45°C	-4°F to 113°F
		< 1 month	-20°C to 55°C	-4°F to 131°F

* After charging at 0.1It for 16 hours, discharging at 0.2It.

** For reference only.

Battery performance and cycle life are strongly affected by how they are used. In order to maximize battery safety, please consult Panasonic when determining charge / discharge specs, warning label contents and unit design.

Note: [It] was previously expressed as [C]. [It] is an IEC standard expression for the amount of charge or discharge current and is expressed as:

$$It(A) = Cn (Ah)/1h.$$

- [It] is the reference test current in amperes
- [Cn] is the rated capacity of the cell or battery in Ampere-hours.
- n = the time base [hours] for which the rated capacity is declared

