

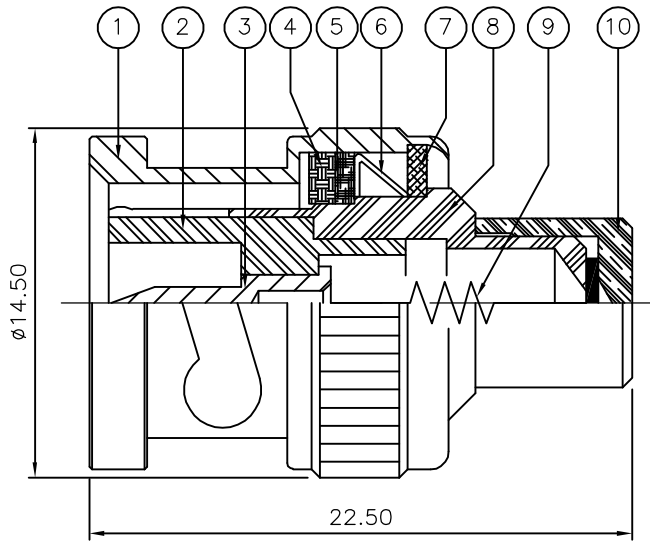
THIS DRAWING IS UNPUBLISHED. RELEASED FOR PUBLICATION DEC ,2005.

© COPYRIGHT 2005 BY TYCO ELECTRONICS CORPORATION. ALL RIGHTS RESERVED.

LOC	DIST	REVISIONS					
E	B	P	LTR	DESCRIPTION	DATE	DWN	APVD
		C		ECR-05-017969	14DEC05	JMS	FWK

NOTES:

- 1 PACK IN ACCORDANCE WITH AMP SPEC 107-3275
- 2 100 TRAY PACK IN ACCORDANCE WITH AMP SPEC 107-3275
- 3 Ag PLATING
- 4 THIS ITEM MUST BE WHITE
- 5 ELECTRICAL CHARACTERISTICS
 FREQUENCY RANGE: DC - 1 GHz
 NOMINAL IMPEDANCE: 50 Ohm
 INSULATION RESISTANCE: 5000 MOhm
 WORKING VOLTAGE: 500 Volts RMS at Sea Level
 DIELECTRIC WITHSTAND VOLTAGE: 1500 Volts RMS Max
 CONTACT RESISTANCE:
 CENTRE CONTACT: 1.50 mOhm Max
 OUTER CONTACT: 0.20 mOhm Max
- 6 MECHANICAL CHARATERISTICS
 COUPLING RETENTION FORCE: 445N
 CABLE RETENETION FORCE: N/A
 DURABILITY: 500 Cycles Min
- 7 ENVIRONMENTAL CHARACTERISTICS
 OPERATING TEMPERATURE: -65 to +165 DegC



	1	1	BRASS	3	CAP	10
	1	1	1/2W-50 OHM		RESISTOR	9
	1	1	BRASS	3	BODY	8
	1	1	BRASS	3	WASHER	7
	1	1	SPRING STEEL		SPRING	6
	1	1	BRASS	3	RETAINING RING	5
	1	1	SILICON RUBBER	4	GASKET	4
	1	1	BRASS	3	CONTACT	3
	1	1	PTFE		INSULATION	2
	1	1	BRASS	3	SHELL	1
	6--0	1--0			MATERIAL	DESCRIPTION
						ITEM

QUANTITY PER ASSY		PARTS LIST	
		Tyco Electronics Corporation Bideford EX39 4HE	
NAME		BNC PLUG TERMINATION 50 OHM	
SIZE	CAGE CODE	DRAWING NO	RESTRICTED TO
A3	00779	C-1337463	-
CUSTOMER DRAWING		SCALE	SHEET 1 OF 1 REV C
		NTS	

THIS DRAWING IS A CONTROLLED DOCUMENT.		DWN	J.SANDWELL	14DEC05
DIMENSIONS: mm		CHK	S.PARLOW	14DEC05
		APVD	F.WHEELER-KING	14DEC05
TOLERANCES UNLESS OTHERWISE SPECIFIED: 0 PLC ± - 1 PLC ± - 2 PLC ± - 3 PLC ± - 4 PLC ± - ANGLES ± -		PRODUCT SPEC	-	
MATERIAL SEE TABLE		APPLICATION SPEC	-	
FINISH		WEIGHT	-	
-		-		