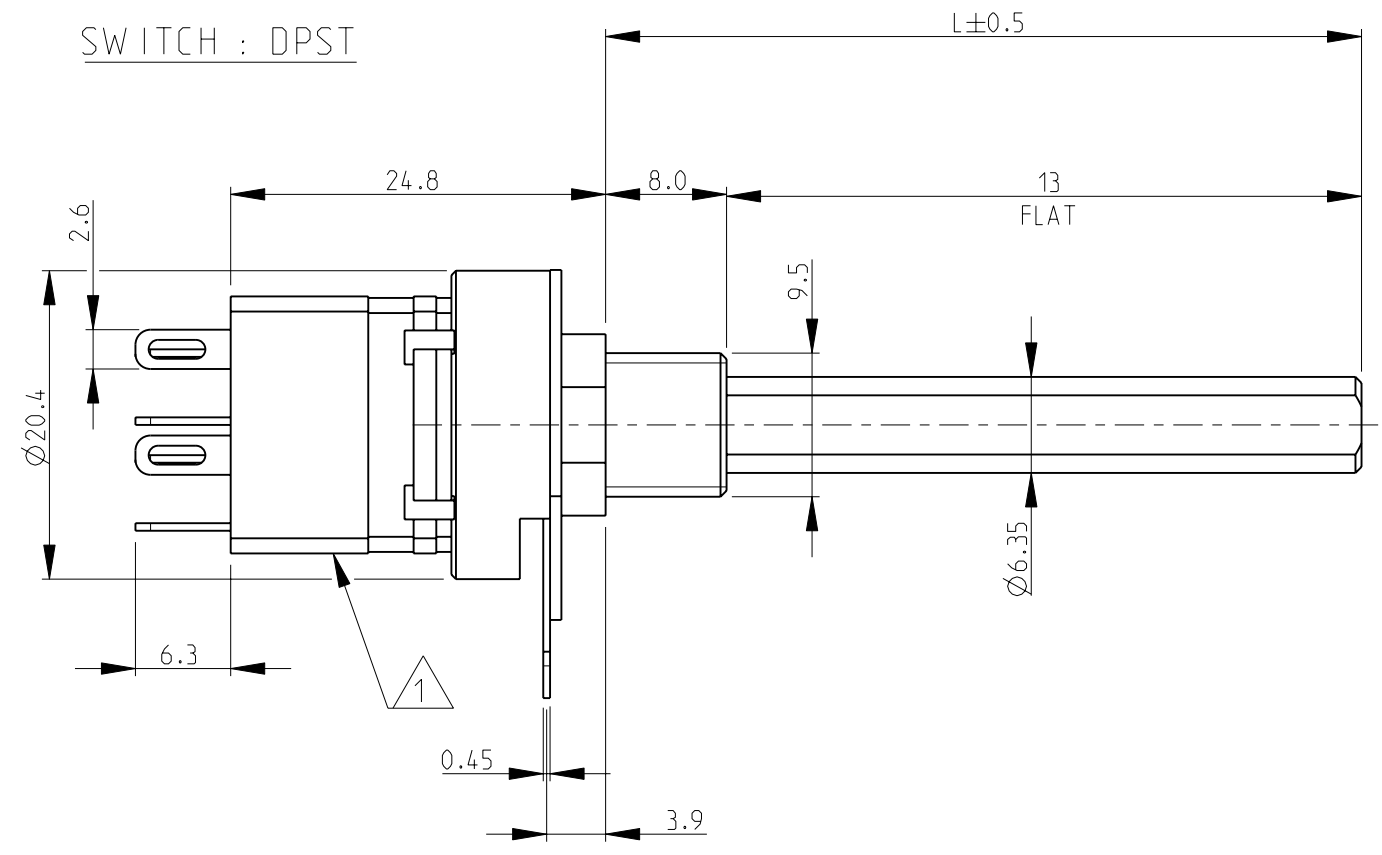


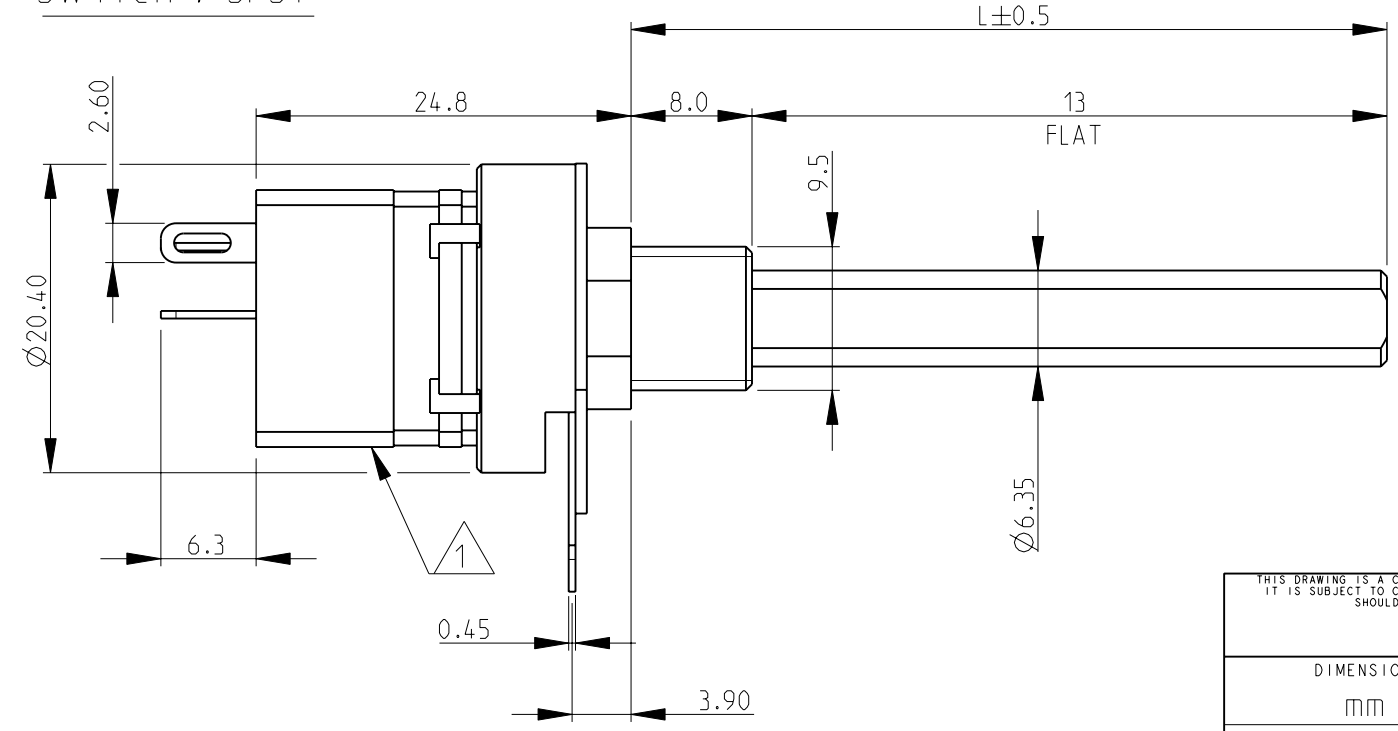
THIS DRAWING IS UNPUBLISHED. RELEASED FOR PUBLICATION 2008  
 © COPYRIGHT 2008 BY TYCO ELECTRONICS CORPORATION. ALL RIGHTS RESERVED.

LOC		DIST		REVISIONS			
P	LTR	DESCRIPTION		DATE	DWN	APVD	
E	B	BA	NEW RELEASE	30-Jul-08	SM	St.P	

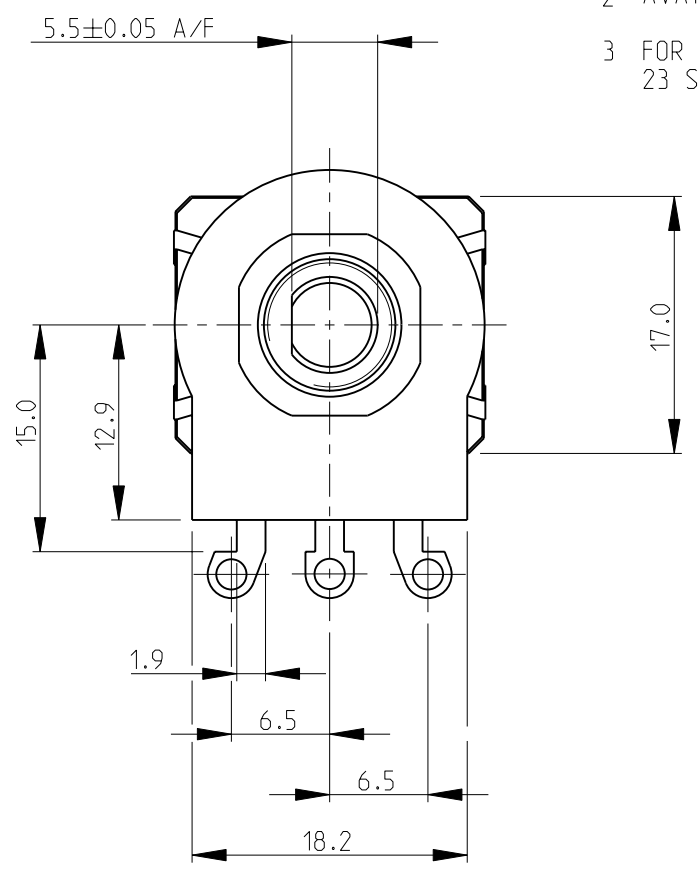
SWITCH : DPST



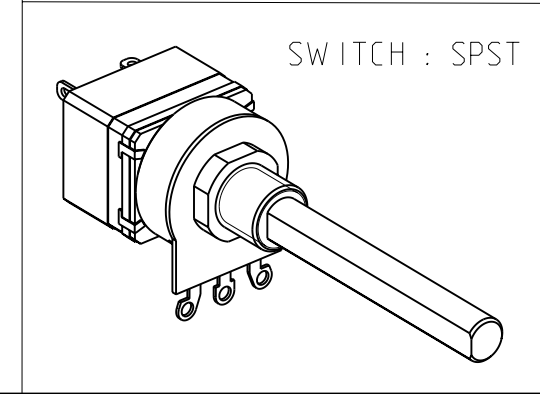
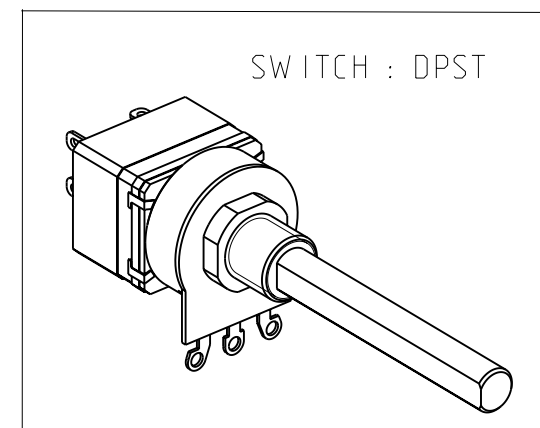
SWITCH : SPST



- 1 SWITCH TYPE: DPST (4A) SHOWN. TYPE SPST (4A) ALSO AVAILABLE
- 2 AVAILABLE IN DIFFERENT SHAFT LENGTHS (L) SEE DATA SHEET
- 3 FOR FURTHER INFORMATION SEE DATA SHEET FOR 23 SERIES-SPINDLE OPERATED POTENTIOMETER



RoHS Compliant



THIS DRAWING IS A CONTROLLED DOCUMENT FOR TYCO ELECTRONICS CORPORATION IT IS SUBJECT TO CHANGE AND THE CONTROLLING ENGINEERING ORGANIZATION SHOULD BE CONTACTED FOR THE LATEST REVISION.		DWN	SUBHASH.M	30-Jul-08	Tyco Electronics Corporation Dorcan, Swindon, SN3 5HH					
DIMENSIONS: mm		CHK	PRAKASH.S	30-Jul-08				NAME		SPINDLE OPERATED POTENTIOMETER SERIES 23E
		APVD	STEPHEN.P	30-Jul-08				SIZE	CAGE CODE	DRAWING NO
		PRODUCT SPEC			A3	00779	1624213	-		
TOLERANCES UNLESS OTHERWISE SPECIFIED: 0 PLC ±0.5 1 PLC ±0.2 2 PLC ±0.1 3 PLC ±- 4 PLC ±- ANGLES ±5°		APPLICATION SPEC			SCALE			2:1		
MATERIAL -		FINISH -			WEIGHT -			SHEET	1 OF 1	
CUSTOMER DRAWING					REV			BA		