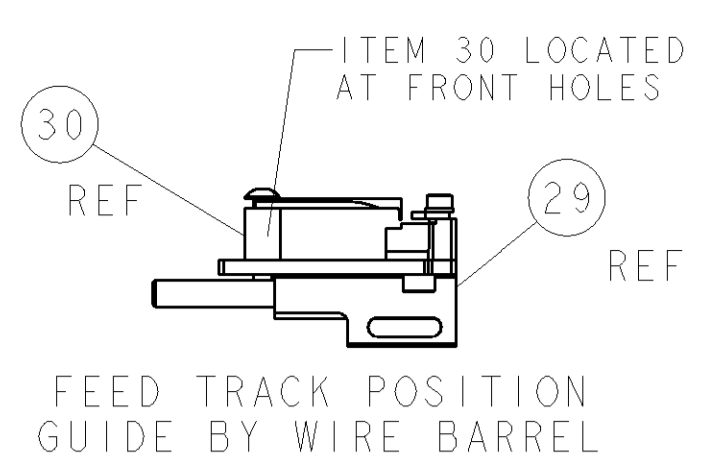
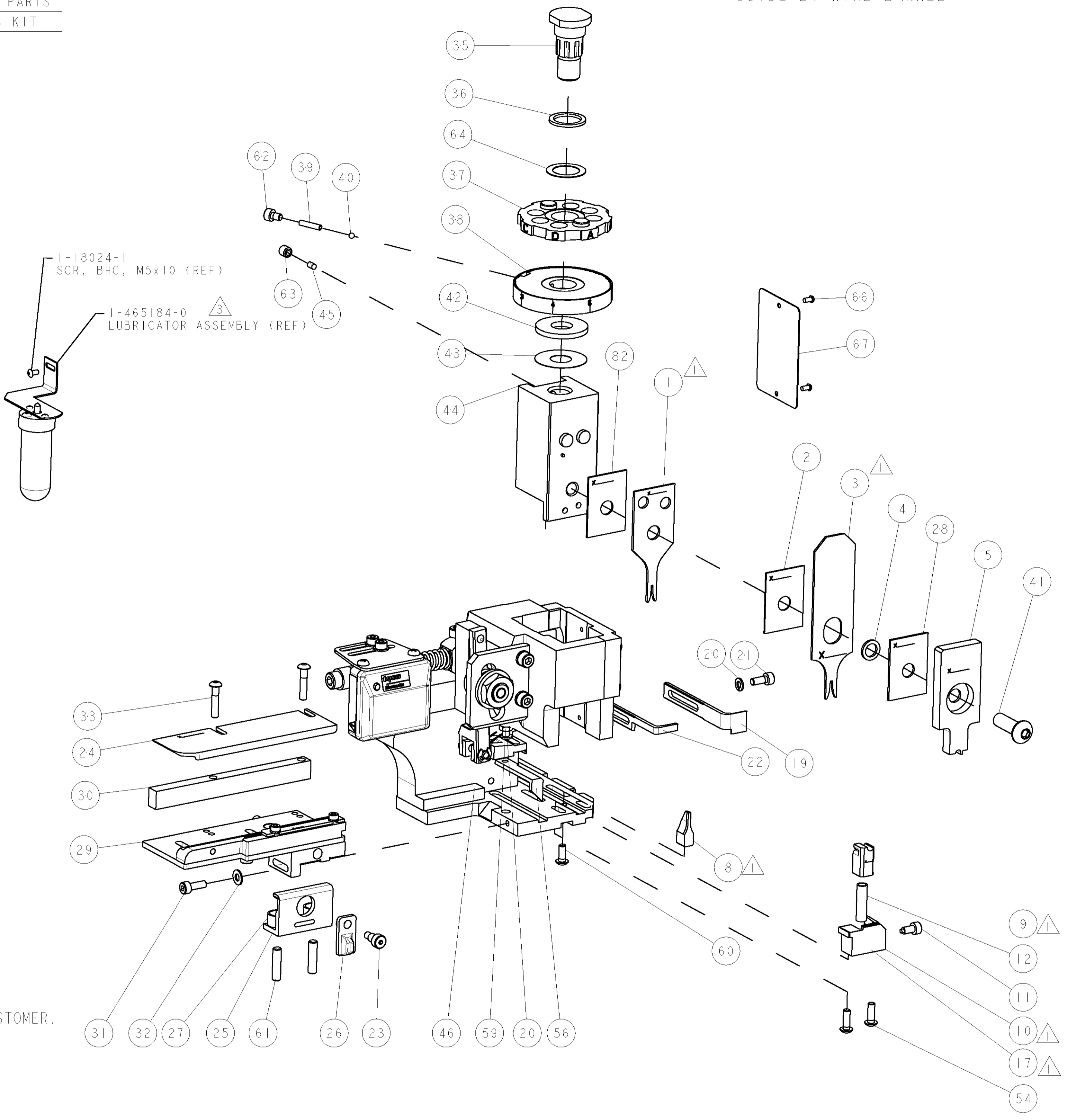
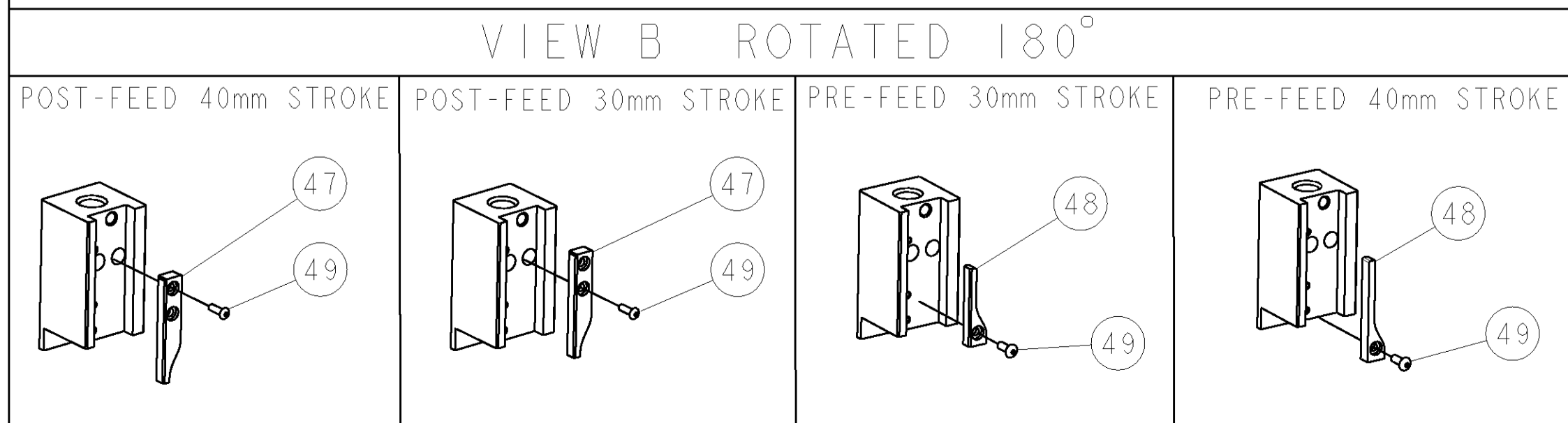


| PART NUMBER | REV | TERMINATOR | FEED TYPE | DESCRIPTION |
|-------------|-----|------------|----------------|--------------------|
| 1426589-1 | A | LEADMAKER | MECH POST FEED | CUTS CARRIER |
| 1426589-2 | A | BENCH | MECH PRE FEED | CUTS CARRIER |
| 1426589-6 | A | LEADMAKER | MECH POST FEED | CONTINUOUS CARRIER |
| 7-1426589-1 | A | LEADMAKER | MECH POST FEED | -1 AND SPARE PARTS |
| 7-1426589-2 | A | BENCH | MECH PRE FEED | -2 AND SPARE PARTS |
| 7-1426589-6 | A | LEADMAKER | MECH POST FEED | -6 AND SPARE PARTS |
| 7-1426589-7 | A | - | - | SPARE PARTS KIT |

| CRIMP DATA | | JST TERMINAL | TYCO CRIMP SPECS |
|--|------------------------------|-------------------------------|---------------------------------------|
| TERMINAL NAME: XH CONNECTOR | | | |
| CRIMP | SIZE | TYPE | RANGE |
| WIRE | 1.07 [0.042 IN] | F | 0.05-0.13mm ² or 30-26 AWG |
| INSUL | 1.78 [0.070 IN] | F | 0.90-1.30 [0.035-.051 IN] |
| WIRE STRIP LENGTH 1.75-2.26 [0.069-.089 IN] | | APPL INSTRUCTIONS 408-8322 | |
| TERMINAL APPL SPEC | | NONE | FEED 8.50 [0.335 IN] |
| TERMINALS APPLIED | | | |
| TYCO PN | MANUF PN | | |
| 1572904-1 | SXH-002T-P0.6 | - | - |
| - | - | - | - |
| - | - | - | - |
| - | - | - | - |
| WIRE SIZE | CRIMP HEIGHT | PINPN & LENGTH [IN] | |
| 0.15 mm ² | 0.69 ±0.05 [0.027 ±0.002 IN] | 6-354779-2 [0.3300] | |

- △ RECOMMENDED SPARE PARTS.
- 2. GREASE RAM, CAM, CAM FOLLOWER AND FEED ROD LIGHTLY.
- △ CERTAIN TERMINALS REQUIRE LUBRICATION. REFER TO THE APPLICATOR INSTRUCTION SHEET FOR MORE INFORMATION.
- 4. LUBRICATE DAILY PER THE APPLICATOR INSTRUCTION SHEET SUPPLIED WITH THE APPLICATOR.
- △ WIRE & INS RANGES SHOWN ARE THAT OF THE TERMINAL.
- △ ALL CRIMP DATA CALCULATED BY TYCO ELECTRONICS UK LTD. WIRE SIZE 0.15mm² IS THAT REQUESTED BY THE ORIGINAL CUSTOMER.



| SET UP GAGE 458637-3 | | LOC | DIST | REVISIONS | | | | |
|----------------------|-----|-------------------|-----------|-----------|------|------------|---------------------------------|----|
| P | LTR | DESCRIPTION | DATE | BY | APPD | | | |
| A | | SEE ECO-06-002032 | 26JAN2006 | LJL | MC | | | |
| - | - | - | - | - | - | - | 73 | |
| - | - | - | - | - | - | - | 72 | |
| - | 1 | 1 | 1 | 1 | 1 | 1338705-1 | DOCUMENTATION PACKAGE | 71 |
| - | - | - | - | - | - | - | - | 70 |
| - | - | - | - | - | - | - | - | 69 |
| - | - | - | - | - | - | - | - | 68 |
| - | 1 | 1 | 1 | 1 | 1 | 461264-1 | PLATE, IDENTIFICATION | 67 |
| - | 2 | 2 | 2 | 2 | 2 | 21017-2 | SCREW, DRIVE | 66 |
| - | - | - | - | - | - | - | - | 65 |
| - | 1 | 1 | 1 | 1 | 1 | 986950-1 | WASHER, FLAT PRECISION | 64 |
| - | 1 | 1 | 1 | 1 | 1 | 3-18031-0 | SCR, SET, CUP POINT M6 X 6.0 | 63 |
| - | 1 | 1 | 1 | 1 | 1 | 18023-9 | SCR, SKT HD CAP M4 X 6.0 | 62 |
| - | 2 | 2 | 2 | 2 | 2 | 2-18032-5 | SCR, SET, FLT POINT M5 X 20.0 | 61 |
| - | 1 | 1 | 1 | 1 | 1 | 18024-7 | SCR, BTN SKT HD CAP (M4 X 10.0) | 60 |
| - | 1 | 1 | 1 | 1 | 1 | 5-18022-2 | SCR, HEX HD CAP M4 X 8.0 | 59 |
| - | - | - | - | - | - | - | - | 58 |
| - | - | - | - | - | - | - | - | 57 |
| - | 1 | 1 | 1 | 1 | 1 | 1338685-1 | PAWL, FEED | 56 |
| - | - | - | - | - | - | - | - | 55 |
| - | 2 | 2 | 2 | 2 | 2 | 18024-8 | SCR, BTN SKT HD CAP (M4 X 12.0) | 54 |
| - | - | - | - | - | - | - | - | 53 |
| - | - | - | - | - | - | - | - | 52 |
| - | - | - | - | - | - | - | - | 51 |
| - | - | - | - | - | - | - | - | 50 |
| - | 1 | 1 | 1 | 1 | 1 | 18024-3 | SCR, BTN SKT HD CAP (M3 X 10.0) | 49 |
| - | - | - | - | - | - | 1338675-1 | CAM, UNIVERSAL PRE FEED | 48 |
| - | 1 | 1 | 1 | 1 | 1 | 1338676-1 | CAM, UNIVERSAL POST-FEED | 47 |
| - | 1 | 1 | 1 | 1 | 1 | 1320999-3 | APPLICATOR SUBASSEMBLY, HDI | 46 |
| - | 1 | 1 | 1 | 1 | 1 | 690191-1 | PLUG, NYLON | 45 |
| - | 1 | 1 | 1 | 1 | 1 | 1338660-1 | RAM | 44 |
| - | 1 | 1 | 1 | 1 | 1 | 690125-1 | SHIM SUB-ASSY | 43 |
| - | 1 | 1 | 1 | 1 | 1 | 690124-1 | WASHER, RAM (.115) | 42 |
| - | 1 | 1 | 1 | 1 | 1 | 2-18024-6 | SCR, BTN SKT HD CAP (M8 X 25.0) | 41 |
| - | 1 | 1 | 1 | 1 | 1 | 23241-1 | BALL, STEEL | 40 |
| - | 1 | 1 | 1 | 1 | 1 | 2-22278-7 | SPRING, COMPRESSION | 39 |
| - | 1 | 1 | 1 | 1 | 1 | 1320922-1 | DISC, ADJUST, INSULATION CRIMP | 38 |
| - | 1 | 1 | 1 | 1 | 1 | 354777-1 | WIRE DISC, ASSEMBLY | 37 |
| - | 1 | 1 | 1 | 1 | 1 | 22480-5 | SPRING, COMPRESSION | 36 |
| - | 1 | 1 | 1 | 1 | 1 | 690212-1 | POST, RAM | 35 |
| - | - | - | - | - | - | - | - | 34 |
| - | 2 | 2 | 2 | 2 | 2 | 1-18024-0 | SCR, BTN SKT HD CAP (M4 X 20.0) | 33 |
| - | 1 | 1 | 1 | 1 | 1 | 18027-2 | WASHER, FLAT, REG M4 | 32 |
| - | 1 | 1 | 1 | 1 | 1 | 1-18023-2 | SCR, SKT HD CAP M4 X 12.0 | 31 |
| - | 1 | 1 | 1 | 1 | 1 | 1320908-9 | SPACER, STRIP GUIDE | 30 |
| - | 1 | 1 | 1 | 1 | 1 | 1633073-3 | STRIP GUIDE ASSEMBLY | 29 |
| - | 1 | 1 | 1 | 1 | 1 | 1-455888-0 | SPACER, CRIMPER | 28 |
| - | 2 | 2 | 2 | 2 | 2 | 1-22284-0 | SPRING, COMPRESSION | 27 |
| - | 1 | 1 | 1 | 1 | 1 | 356835-1 | LEVER, DRAG RELEASE | 26 |
| - | 1 | 1 | 1 | 1 | 1 | 240792-1 | DRAG, TERMINAL | 25 |
| - | 1 | 1 | 1 | 1 | 1 | 1320928-1 | PLATE, STRIP GUIDE | 24 |
| - | 1 | 1 | 1 | 1 | 1 | 980371-4 | SCR, SKT HD SHLDR 5.0 DIA X 6.0 | 23 |
| - | 1 | 1 | 1 | 1 | 1 | 690472-2 | STRIPPER | 22 |
| - | 1 | 1 | 1 | 1 | 1 | 1-18023-1 | SCR, SKT HD CAP M4 X 10.0 | 21 |
| - | 2 | 2 | 2 | 2 | 2 | 18025-2 | WASHER, SPRG LOCK, REG M4 | 20 |
| - | 1 | 1 | 1 | 1 | 1 | 1-690472-9 | STRIPPER | 19 |
| - | - | - | - | - | - | - | - | 18 |
| - | 1 | 1 | 1 | 1 | 1 | 1338684-1 | SHEAR HOLDER, FRONT | 17 |
| - | - | - | - | - | - | - | - | 16 |
| - | - | - | - | - | - | - | - | 15 |
| - | - | - | - | - | - | - | - | 14 |
| - | - | - | - | - | - | - | - | 13 |
| - | 1 | 1 | 1 | 1 | 1 | 3-22280-3 | SPRING, COMPRESSION | 12 |
| - | 1 | 1 | 1 | 1 | 1 | 356885-4 | STOP, SHEAR | 11 |
| - | 1 | 1 | 1 | 1 | 1 | 1320921-1 | SHEAR HOLDER, FRONT, CUT | 10 |
| - | 1 | 1 | 1 | 1 | 1 | 462006-1 | FLOATING SHEAR, FRONT | 9 |
| - | 1 | 2 | 2 | 2 | 1 | 1633127-2 | ANVIL, COMBINATION .042 | 8 |
| - | - | - | - | - | - | - | - | 7 |
| - | - | - | - | - | - | - | - | 6 |
| - | 1 | 1 | 1 | 1 | 1 | 2-455889-0 | DEPRESSOR, SHEAR | 5 |
| - | 1 | 1 | 1 | 1 | 1 | 2-238011-0 | BLOCK, CRIMPER SPACER | 4 |
| - | 1 | 2 | 2 | 2 | 1 | 7-456134-2 | CRIMPER, INSULATION F PREMIUM | 3 |
| - | 1 | 1 | 1 | 1 | 1 | 455888-6 | SPACER, CRIMPER | 2 |
| - | 1 | 2 | 2 | 2 | 1 | 456401-2 | CRIMPER, WIRE PREMIUM | 1 |

| -77 | -76 | -72 | -71 | -6 | -2 | -1 | PART NO | DESCRIPTION | ITEM NO |
|-----|-----|-----|-----|----|----|----|----------|-----------------|---------|
| - | - | - | - | - | - | - | - | - | 84 |
| - | - | - | - | - | - | - | - | - | 83 |
| - | 1 | 1 | 1 | 1 | 1 | 1 | 455888-8 | SPACER, CRIMPER | 82 |
| - | - | - | - | - | - | - | - | - | 81 |
| - | - | - | - | - | - | - | - | - | 80 |
| - | - | - | - | - | - | - | - | - | 79 |
| - | - | - | - | - | - | - | - | - | 78 |
| - | - | - | - | - | - | - | - | - | 77 |
| - | - | - | - | - | - | - | - | - | 76 |
| - | - | - | - | - | - | - | - | - | 75 |
| - | - | - | - | - | - | - | - | - | 74 |