

4

3

2

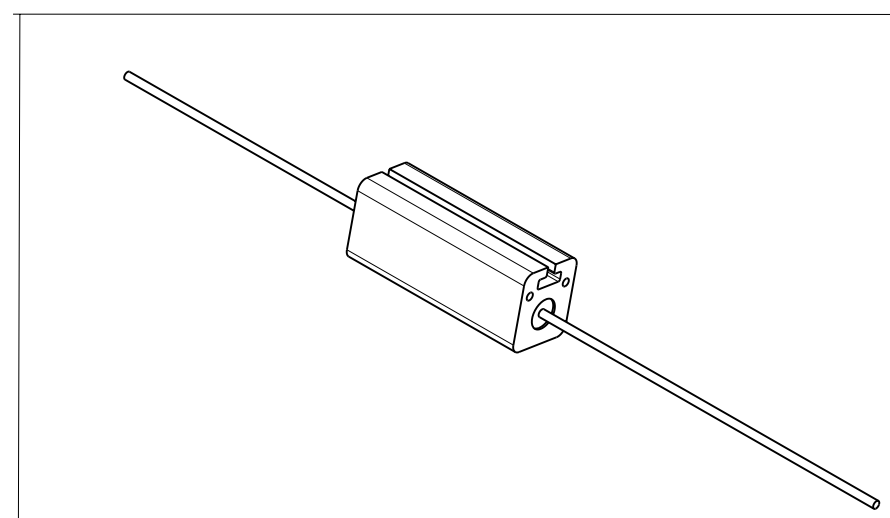
1

THIS DRAWING IS UNPUBLISHED. RELEASED FOR PUBLICATION 2008

© COPYRIGHT 2008 BY TYCO ELECTRONICS CORPORATION. ALL RIGHTS RESERVED.

LOC		DIST		REVISIONS			
P	LTR	DESCRIPTION		DATE	DWN	APVD	
	BA	NEW RELEASE		02AUG2010	PT	St.P	

FOR FURTHER INFORMATION SEE DATA SHEET FOR SERIES TYPE SBC(SQUARE CERAMIC), HIGH POWER RESISTORS



RoHS Compliant

THIS DRAWING IS A CONTROLLED DOCUMENT FOR TYCO ELECTRONICS CORPORATION IT IS SUBJECT TO CHANGE AND THE CONTROLLING ENGINEERING ORGANIZATION SHOULD BE CONTACTED FOR THE LATEST REVISION.

DIMENSIONS: mm		TOLERANCES UNLESS OTHERWISE SPECIFIED:	
		0 PLC	±0.2
		1 PLC	±0.1
		2 PLC	±
		3 PLC	±
		4 PLC	±
MATERIAL -		ANGLES	±5°
		FINISH	-

DWN	02AUG2010
CHK	PARUSURAM.T
APVD	STEPHEN.P
APVD	STEPHEN.P
PRODUCT SPEC	-
APPLICATION SPEC	-
WEIGHT	2.2g
CUSTOMER DRAWING	

Tyco Electronics Corporation Dorcan, Swindon, SN3 5HH		NAME	
HIGH POWER RESISTOR TYPE SBC (SQUARE CERAMIC) SERIES SBCHE4			
SIZE	CAGE CODE	DRAWING NO	RESTRICTED TO
A3	00779	C=1623730	-
SCALE 4:1		SHEET 1 OF 1	REV BA