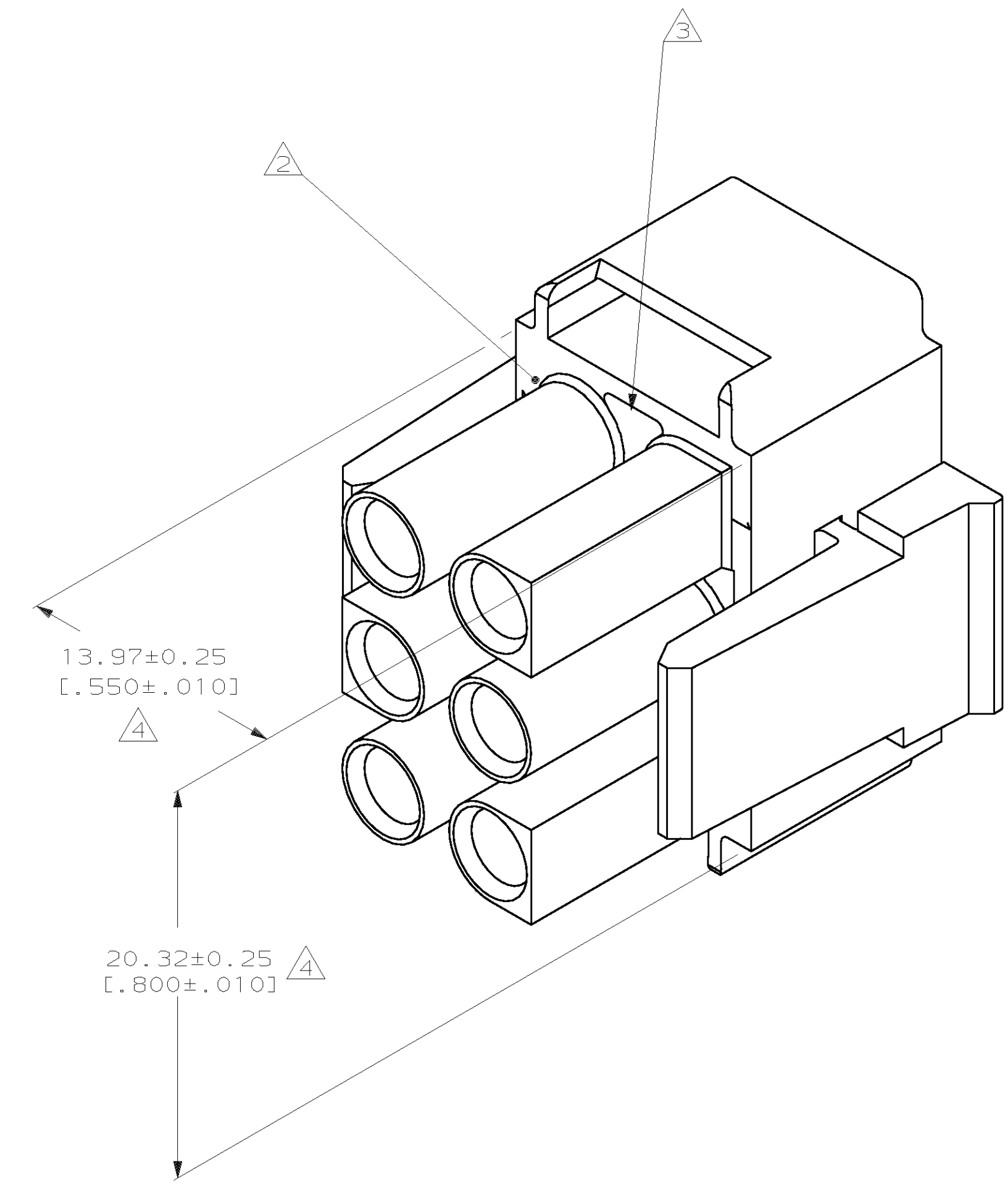


LOC		DIST		P		F		ZONE		LTR		REVISIONS		DATE	APPD
CM	53											H	REV PER EC 0L30-0036-97	3-12-97	JH RS

- MUST BE ASSEMBLED WITH PLUG REAR P/N 770038-1 BEFORE MATING. KIT P/N IS 770020-1.
- AMP LOGO LOCATED THIS SURFACE.
- NEW MOLD CONSTRUCTION PROVIDES MATERIAL REDUCTION CORING AT BASE OF SILOS WITH NO CORING AS OPTIONAL.
- DIMENSION INDICATED IS AS MOLDED. ADDITIONAL GROWTH DUE TO SUBSEQUENT MOISTURE ABSORPTION MAY OCCUR.
- DIMENSIONS IN BRACKETS ARE IN INCHES.



770037-1
PART NUMBER



DO NOT SCALE PRINT. UNLESS SPECIFIED DIMENSIONS IN mm TOLERANCES ON:		DR 1-15-92 K. SALMON		AMP INCORPORATED Harrisburg, Pa. 17105	
2 PLC DEC ± 0.13 [0.005]		CHK 1-15-92 R. SWING			
3 PLC DEC ± 0.13 [0.005]		APPD 1-16-92 M. TRULL		NAME	
ANGLES ±		APPD 1-16-92 M. TRULL		PLUG FRONT, 6 CIRCUIT, UNIVERSAL MATE-N-LOK™ II	
MATERIAL		PRODUCT SPEC		DRAWING NO	
NYLON, UL94V-0,		APPLICATION SPEC		770037	
FINISH		WEIGHT		SIZE D	
				FSCM NO 00779	
				SCALE 5:1	
				SHEET 1 OF 1	