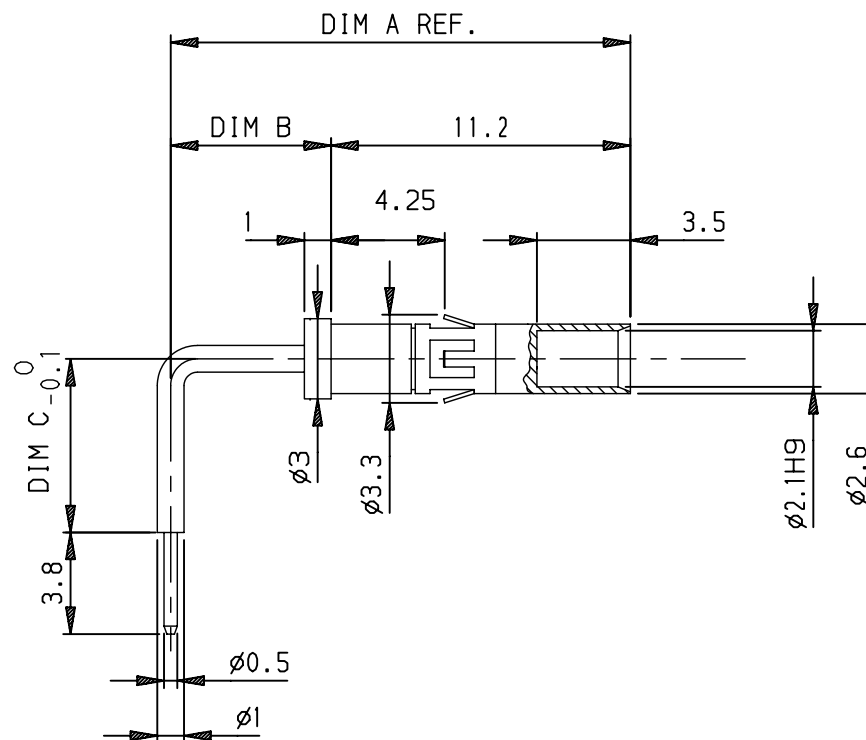
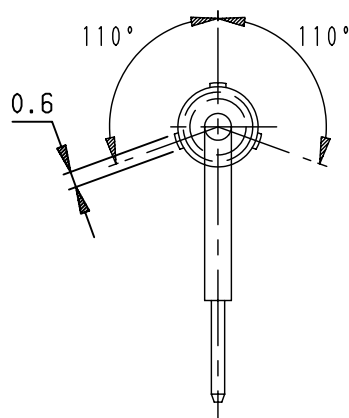


LEAD-FREE P/N	DIM A	DIM B	DIM C
85976-001LF	15.2	4	2.5
85976-002LF	17.2	6	6.5



NOTES:

1. THIS PRODUCT WITH "LF" SUFFIX MEETS EUROPEAN UNION DIRECTIVES AND OTHER COUNTRY REGULATIONS AS DESCRIBED IN GS -22-008.
2. THE HOUSING WILL WITHSTAND EXPOSURE TO 260DEGREE PEAK TEMPERATURE TO 30 SECONDS IN A WAVE SOLDER APPLICATION WITH A 1.6 mm MINIMUM THICK PCB
3. PACKAGING SPEC: SEE GS-14-920.

European Views

www.fciconnect.com		surface ISO 1302	<input checked="" type="checkbox"/>	tolerance std ISO 406 ISO 1101	projection 	mm
TOLERANCES UNLESS OTHERWISE SPECIFIED						
Dr	GOISNARD	2006/03/06	ANGULAR	0.X	±0.1	size
Eng	GOISNARD	2006/03/06	LINEAR	0.XX	±0.1	A3
Chr	LEGARE	2006/03/06	0.XX' ±2'	0.XXX	±0.1	ECN
Appr	LEGARE	2006/03/06	Product family	METRAL		LS08-0057
					Spec ref	-
				title MINI POWER		Rev.
				RA RECEIPT CONTACT		E
catalog no				-		dwg no
				85976		CUSTOMER
				-		sheet 1 of 1

rev	ecn no	dr	date
C	LS06-0022	LGO	2006/03/06
D	LS07-0214	LGO	2007/08/20
E	LS08-0057	LGO	2008/02/18
-	-	-	-
-	-	-	-
-	-	-	-