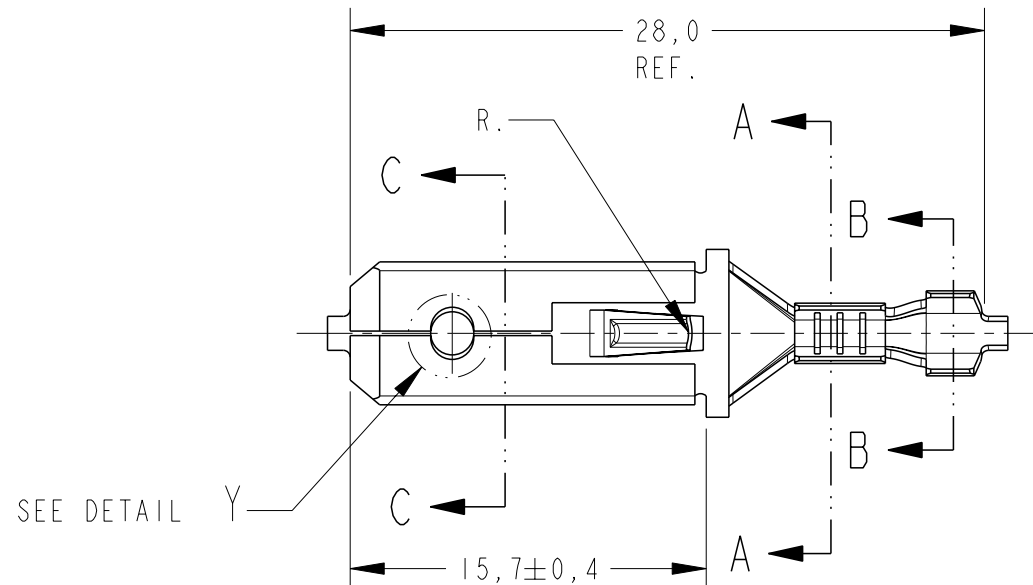


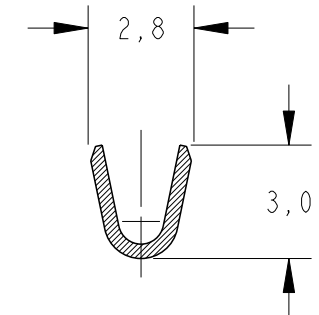
LOC AP DIST -

REVISIONS

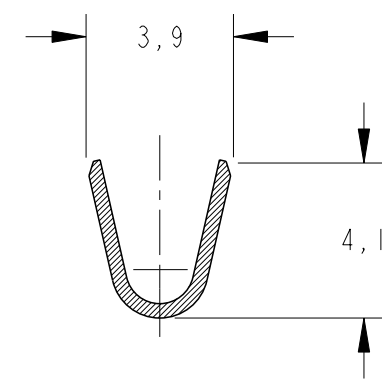
P	LTR	DESCRIPTION	DATE	DWN	APVD
	D4	REDRAW BY CAD	20AUG2012	NCL	DAO



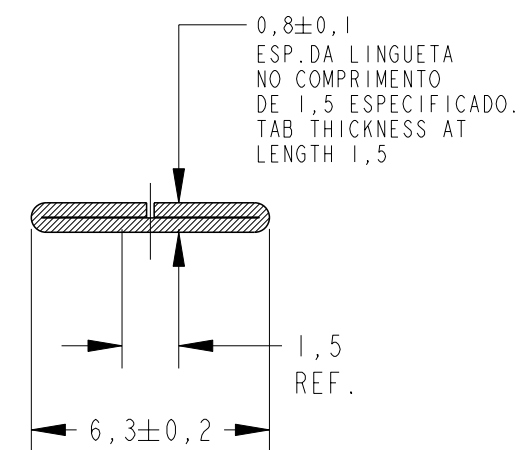
SEE DETAIL Y



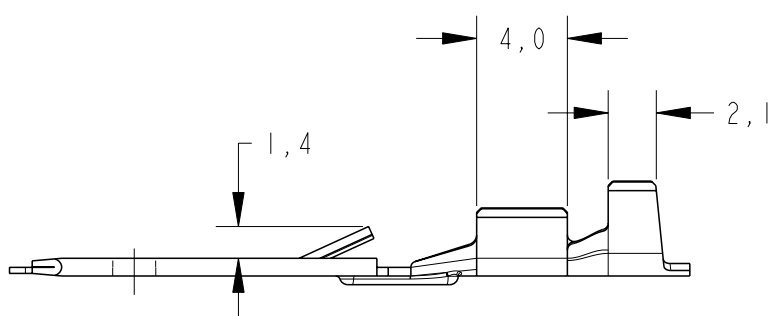
SECTION A-A SCALE 5:1



SECTION B-B SCALE 5:1



SECTION C-C SCALE 5:1



OBSOLETE	PRATEADO/SILVER PLATED	LATÃO / BRASS	880688 -7
OBSOLETE	PRÉ-ESTANHADO/PRE-TINNED	BRONZE FOSF./PHOSP BRONZE	880688 -6
OBSOLETE	PRÉ-ESTANHADO/PRE-TINNED	LATÃO / BRASS	880688 -5
OBSOLETE	ESTANHADO/TIN PLATED	BRONZE FOSF./PHOSP BRONZE	880688 -4
OBSOLETE		BRONZE FOSF./PHOSP BRONZE	880688 -3
	ESTANHADO/TIN PLATED	LATÃO / BRASS	880688 -2
		LATÃO / BRASS	880688 -1
	FINISH	MATERIAL	PART NUMBER

INS. RANGE	WIRE RANGE
∅ 2,0-3,3mm	0,5-1,0mm ²

THIS DRAWING IS A CONTROLLED DOCUMENT.

DWN NCLAPRESA 17JUL2012
 CHK JRGOLDSCHMIDT 17JUL2012
 APVD DAOLIVEIRA 17JUL2012

DIMENSIONS: mm

TOLERANCES UNLESS OTHERWISE SPECIFIED:
 0 PLC ±0,3
 1 PLC ±0,3
 2 PLC ±0,3
 3 PLC ±0,3
 4 PLC ±0,3
 ANGLES ±1°

MATERIAL SEE TABLE FINISH SEE TABLE

WEIGHT -

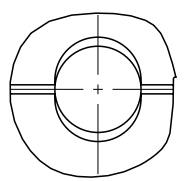
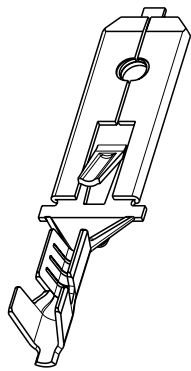
CUSTOMER DRAWING

STE TE Connectivity

NAME: -
 PRODUCT SPEC: -
 APPLICATION SPEC: -

SIZE: A3 CAGE CODE: 00779 DRAWING NO: C-880688 RESTRICTED TO: -

SCALE: 3:1 SHEET: 1 OF 1 REV: D4



DETAIL Y SCALE 6:1 CONSTRUÇÃO OPCIONAL OPTIONAL CONSTRUCTION



PERSPECTIVE VIEW SCALE 2:1