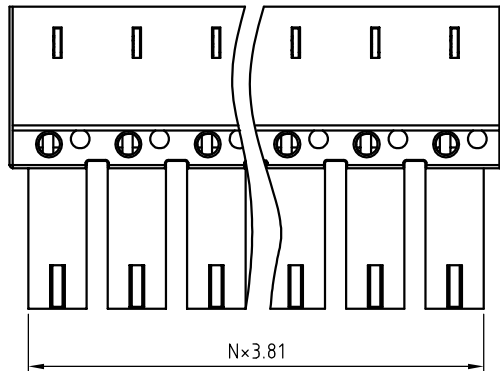
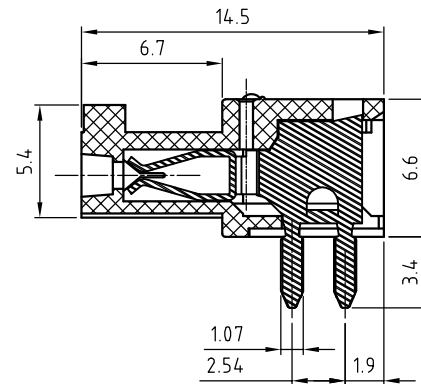
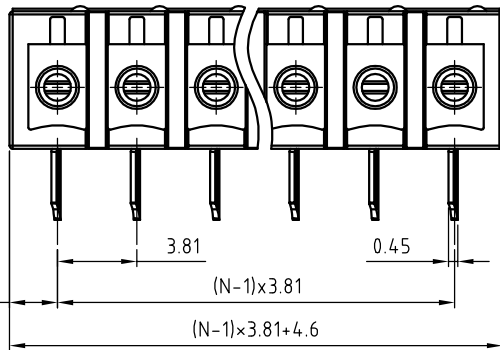


SIGN	DATE	DESCRIPTION	APPROVER
<i>THIS IS CAD DRAWING, DO NOT REVISE MANUALLY!!!</i>			



N=Number of contacts



Material

- Wire guard: PhBz(CuZn)
- Surface of solder tail: Tin plated
- Insulator (housing): Thermoplastic (UL94V-0)

Electrical

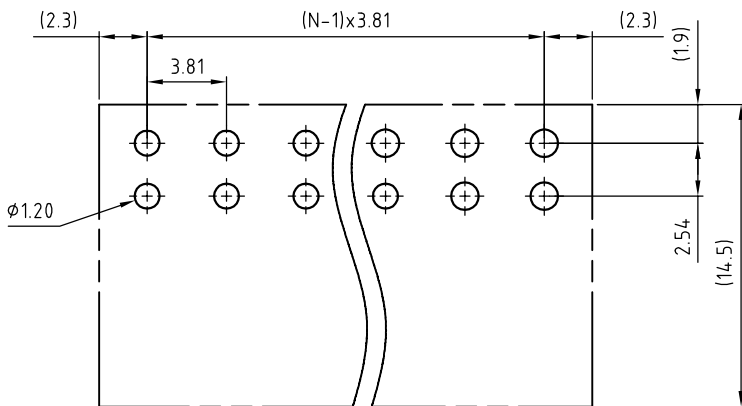
- Voltage rating: 300VAC
- Current rating: 4A
- Withstanding Voltage: 1.6kv
- Operating temperature: -30°C to +105°C
- Soldering temperature: 250°C±10°C/5 Sec
- Safety Approval: US

RoHS Compliant

PART NUMBER:

OSTV7XX3151

No. of Poles	COLOR
07 7 Pole	0: Black
08 8 Pole	5: Green (Standard)
...	6: Blue
24 24 Pole	8: Light Grey



THESE DRAWINGS AND SPECIFICATIONS ARE THE PROPERTY OF ON-SHORE TECHNOLOGY, INC. AND SHALL NOT BE REPRODUCED, COPIED OR USED IN ANY MANNER WITHOUT THE PRIOR WRITTEN CONSENT OF ON-SHORE TECHNOLOGY, INC.



TITLE		OSTV7 3.81mm Series 90° Right angle 7p-24p				
PART NO.	OSTV7XX3151	DWG NO.	OSTV7XX3151.DWG			
APPROVED	CHECKED	DESIGNED	DRAWN	CUST NO.	Tolerance	
Shi Jun 2006.11.10	Shi Jun 2006.11.10	Tason 05/29`06	Tason 05/29`06		X. ±0.5 X.X ±0.3 X.XX ±0.1 X° ±1°	
				SHEET: 01/01	UNIT: mm SCALE: NONE REV.: B	