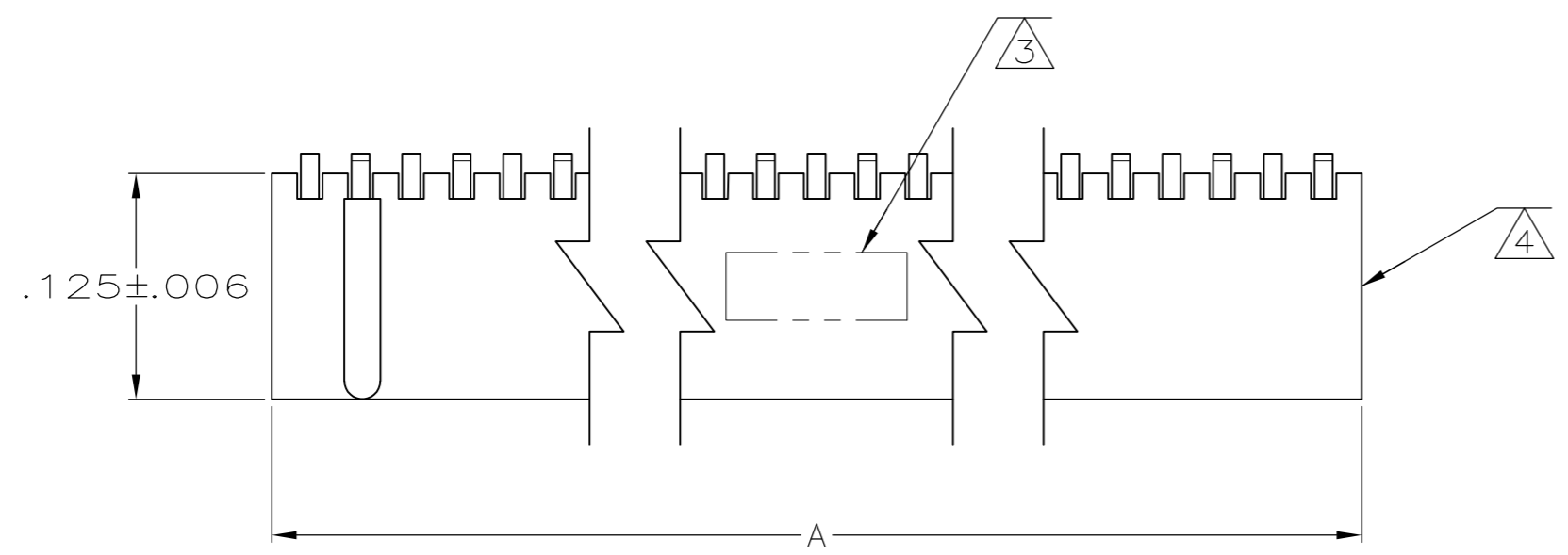
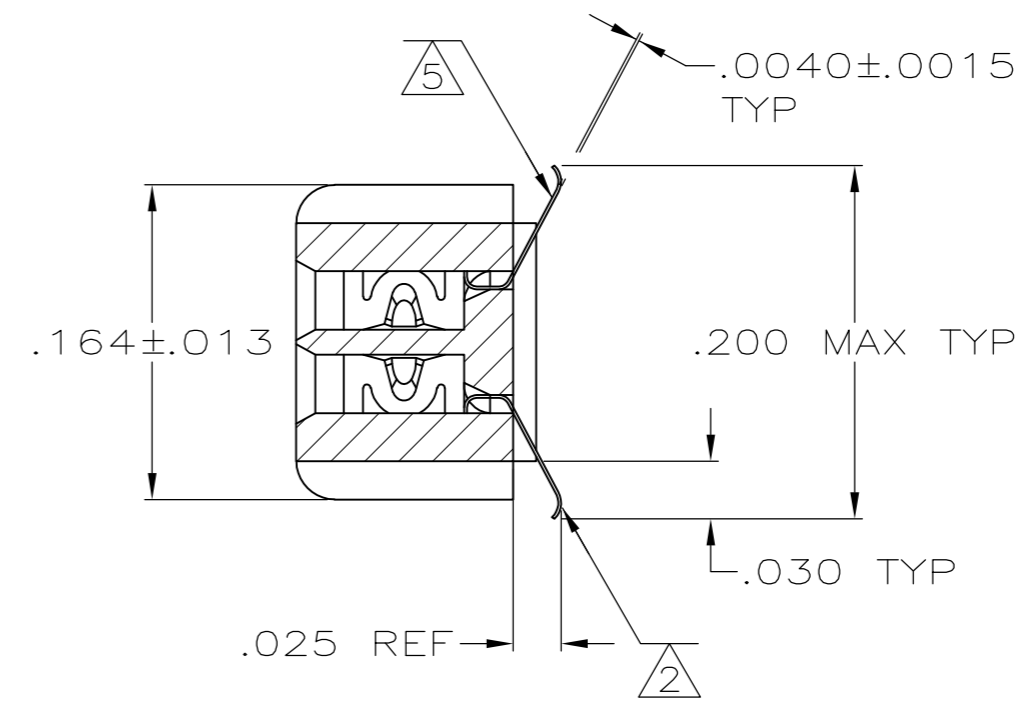
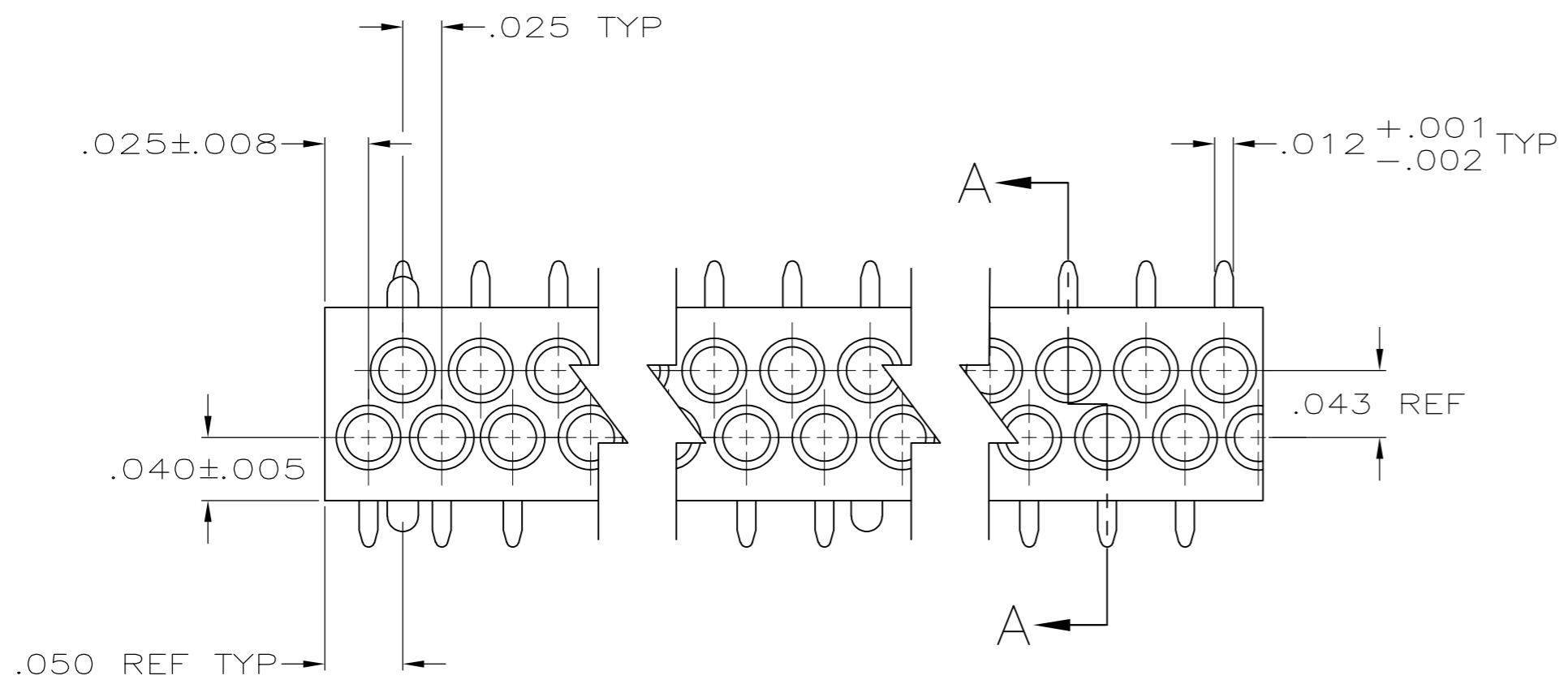


THIS DRAWING IS UNPUBLISHED. RELEASED FOR PUBLICATION  
 © COPYRIGHT - By - ALL RIGHTS RESERVED.

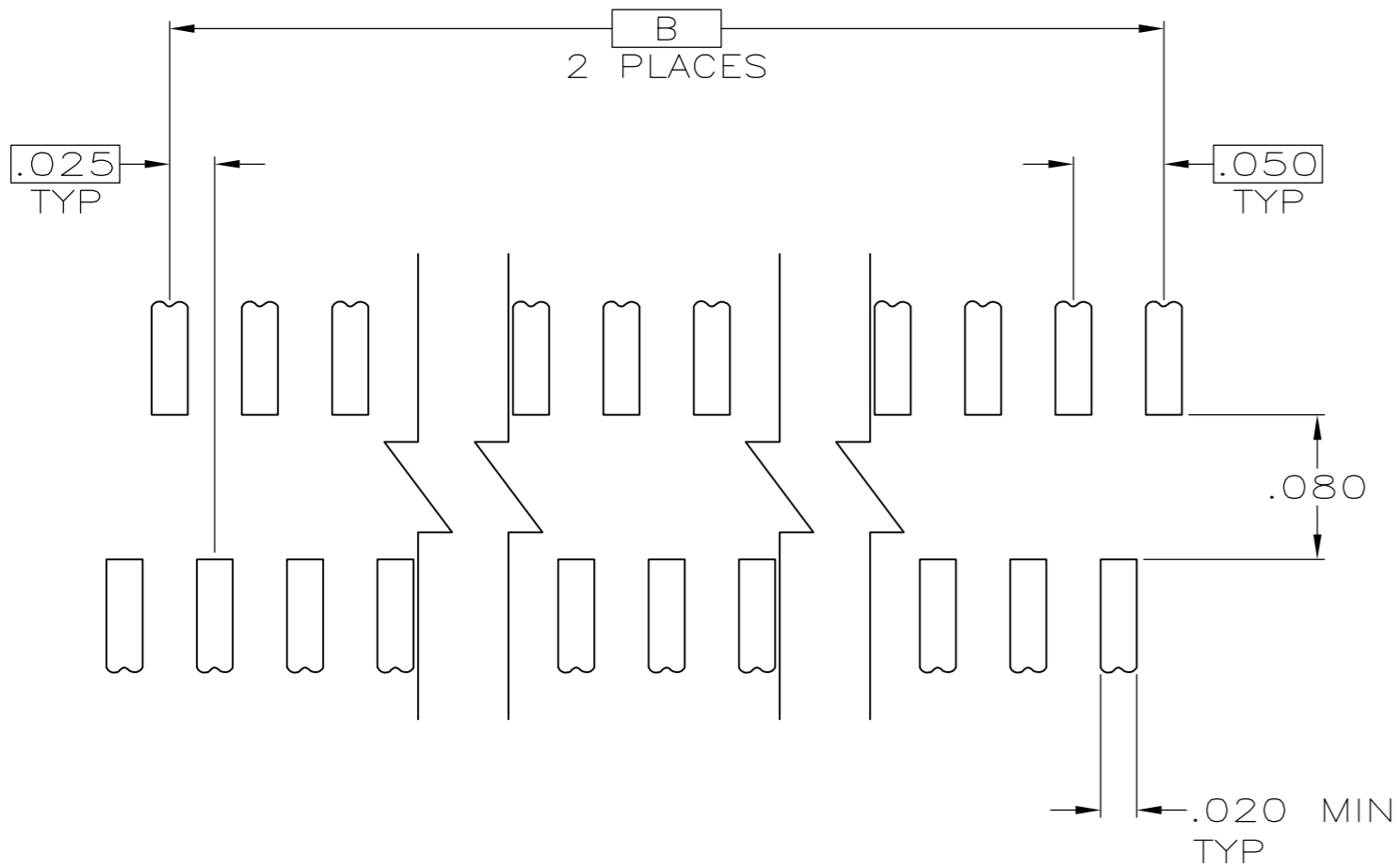
LOC		DIST		REVISIONS			
P	LTR	DESCRIPTION		DATE	DWN	APVD	
M		REV PER ECO 11-021910		11-2-11	CT	DE	



- POLARIZING KEYS ARE INTENDED TO PREVENT 180° MISMATCH OF LIKE SIZES; KEYS ARE NOT INTENDED TO PREVENT MATING OF DIFFERENT SIZES.
- TAILS SOLDER DIPPED .025 MIN LENGTH, WITH SN63 SOLDER PER QQ-S-571.
- MARK AMP, PART NUMBER AND DATE CODE. MARKING MAY BE ON 2 SIDES OF THE PART. SMALLER ASSEMBLIES MAY CONTAIN NO MARKING OR PARTIAL MARKING.
- HOUSING MATERIAL: FLAME RETARDANT GLASS REINFORCED POLYESTER. COLOR: BLACK.
- SOCKET CONTACT MATERIAL: BERYLLIUM COPPER PER QQ-C-533. ALTERNATE MATERIAL: PHOSPHOR BRONZE PER QQ-B-750. CONTACT FINISH: PLATED GOLD .000050 THICK ON MATING AREA PLATED GOLD FLASH ON CONTACT TAIL, ALL OVER NICKEL .000050 THICK.



SECTION A-A



RECOMMENDED P. C. BOARD LAYOUT

OBSOLETE	.700	.775	30	213143-8
	.550	.625	24	213143-7
OBSOLETE	1.200	1.275	50	213143-6
	1.150	1.225	48	213143-5
OBSOLETE	.950	1.025	40	213143-4
	.600	.675	26	213143-3
	.100	.175	6	213143-2
	.050	.125	4	213143-1
	B	A	NO OF POSITIONS	PART NO

THIS DRAWING IS A CONTROLLED DOCUMENT.		DWN T. SHUEY 12-7-88	TE Connectivity	
DIMENSIONS: INCHES		CHK -		
TOLERANCES UNLESS OTHERWISE SPECIFIED:		APVD -	SOCKET CONNECTOR ASSEMBLY, CHEVRON, PLANE SURFACE MOUNT WITH KEYING	
0 PLC ± -		PRODUCT SPEC -	SIZE CAGE CODE DRAWING NO RESTRICTED TO	
1 PLC ± -		APPLICATION SPEC -	A2 00779 C=213143	
2 PLC ± -		WEIGHT -	SCALE 10:1 SHEET 1 of 1 REV M	
3 PLC ± .010		CUSTOMER DRAWING		
4 PLC ± -				
ANGLES ± -				
MATERIAL SEE CALLOUTS		FINISH SEE CALLOUTS		