



## Test Procedure for the NV47711PDAJGEVB Evaluation Board

### Test Procedure:

1. Connect the test setup as is shown in **Figure 1**. See **Table 1** with required equipment.
  - Letter **F** – Force line
  - Letter **S** – Sense line
2. Select output current limit by connecting jumper **J<sub>5</sub> – J<sub>8</sub>**.
  - **J<sub>5</sub>** –  $I_{LIM0} \sim 10$  mA
  - **J<sub>6</sub>** –  $I_{LIM1} \sim 170$  mA
  - **J<sub>7</sub>** –  $I_{LIM2} \sim 340$  mA
  - **J<sub>8</sub>** –  $I_{LIM3}$  –  $R_{CSO3}$  position available for individual current limit setting by resistor from range 728  $\Omega$  to 25.5 k $\Omega$
3. Set Input Voltage and turn on Power Supply.
4. Enable chip by connecting external Voltage Source on jumper **J<sub>3</sub>**. Output voltage must be higher than 2.31 V but **maximally 7 V**.
5. Set load current (max 350 mA) and turn on Load.
6. Monitor Output voltage, it's given according to Equation 1.

$$V_{out} = 1.275 \left( 1 + \frac{R_1}{R_2} \right) \quad (\text{eq. 1})$$

7. Monitor CSO voltage on connector **J<sub>4</sub>**. It should be max 2.55 V in steady state. The CSO voltage is proportional to output current according to Equation 2.

$$V_{CSO} = I_{out} \left( R_{CSO} \times \frac{1}{100} \right) \quad (\text{eq. 2})$$

8. Compare your results with measured results in **Table 2**.

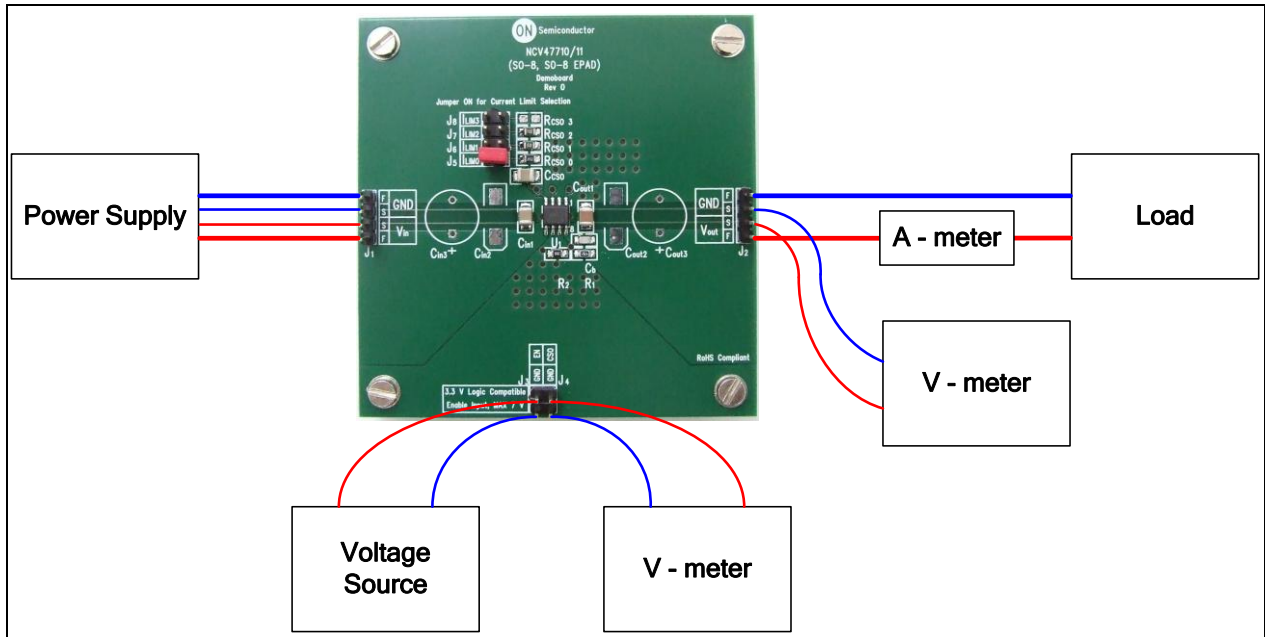


Figure 1. Test Setup

Table 1: Required Equipment

Equipment	Ranges
Power Supply	0 V – 45 V / 500 mA
Voltage Source	0 V – 7 V
Load	0 mA – 500 mA
V - meter	0 V – 20 V
A - meter	0 mA – 500 mA

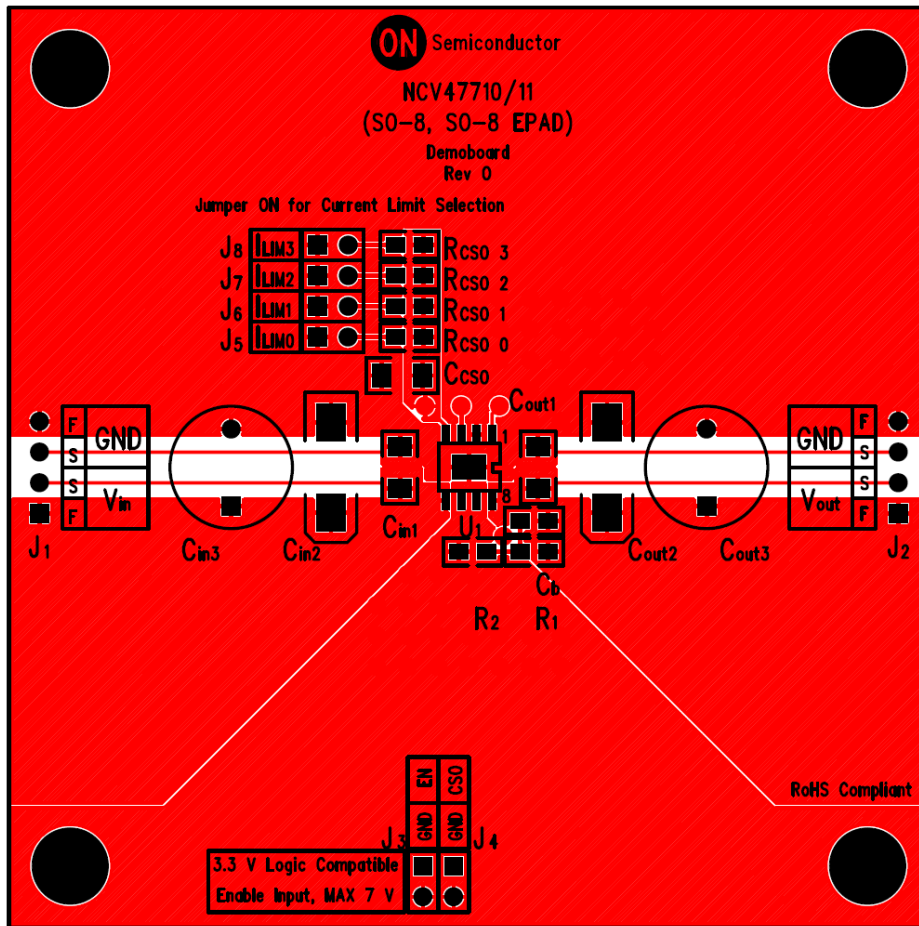


Figure 2. PCB Layout

Table 2: Measured Results

Parameter	Test Conditions	Value		Unit
		Nominal	Measured	
Output Voltage	$V_{in} = 13.5 \text{ V}$ , $V_{out\_nom} = 5.02 \text{ V}$ , $I_{out} = 5 \text{ mA}$ , $R_{CSO} = \text{Short to ground}$	5.02	5.03	V
	$V_{in} = 13.5 \text{ V}$ , $V_{out\_nom} = 5.02 \text{ V}$ , $I_{out} = 350 \text{ mA}$ , $R_{CSO} = \text{Short to ground}$	5.02	5.04	
Output Current	$V_{in} = 13.5 \text{ V}$ , $V_{out\_nom} = 5.02 \text{ V}$ , $V_{out} = 0 \text{ V}$ , $R_{CSO} = 25.5 \text{ k}\Omega$	10	10.45	mA
	$V_{in} = 13.5 \text{ V}$ , $V_{out\_nom} = 5.02 \text{ V}$ , $V_{out} = 0 \text{ V}$ , $R_{CSO} = 1.5 \text{ k}\Omega$	170	175.6	
	$V_{in} = 13.5 \text{ V}$ , $V_{out\_nom} = 5.02 \text{ V}$ , $V_{out} = 0 \text{ V}$ , $R_{CSO} = 750 \Omega$	340	353	