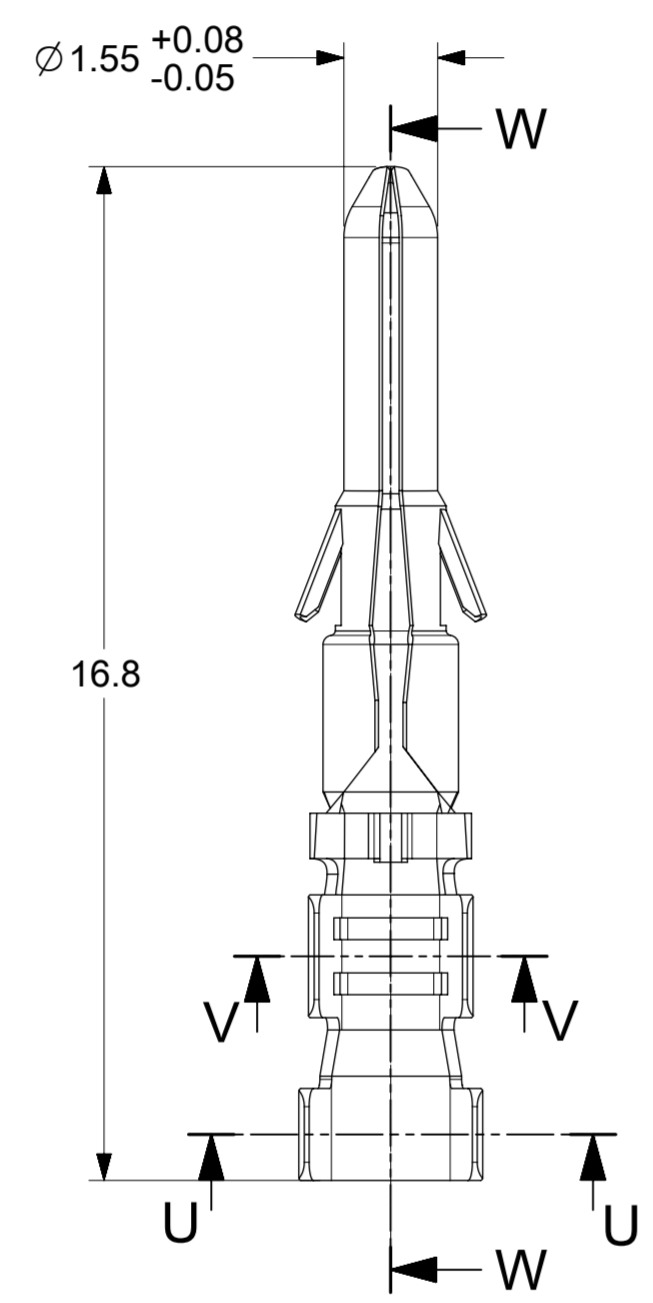
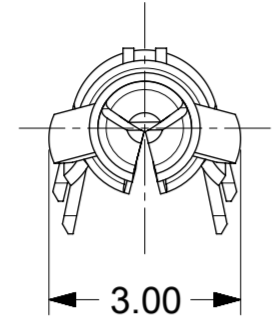
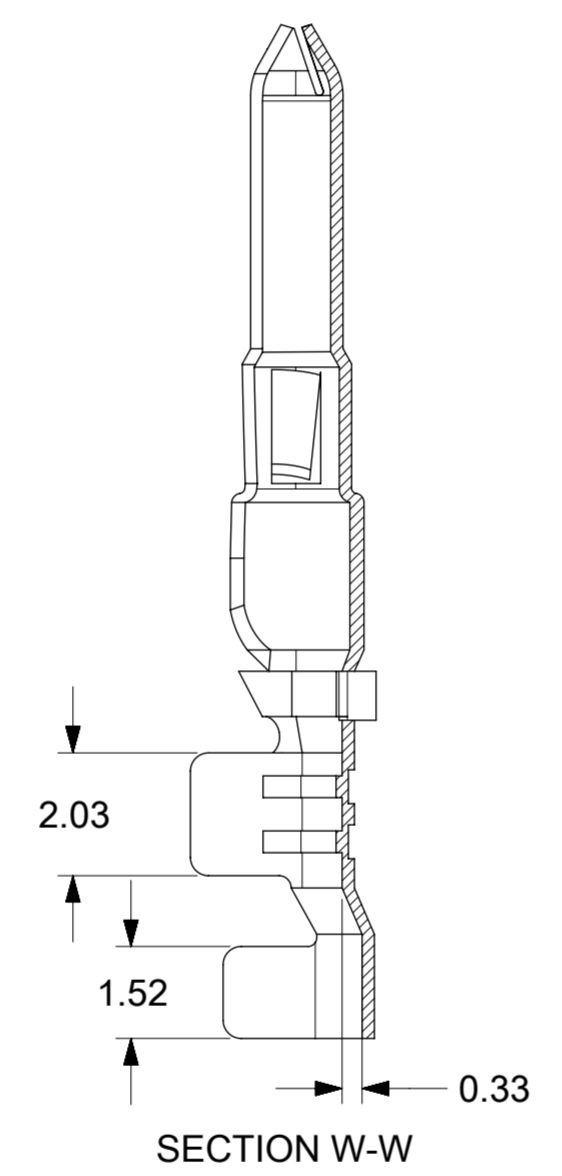


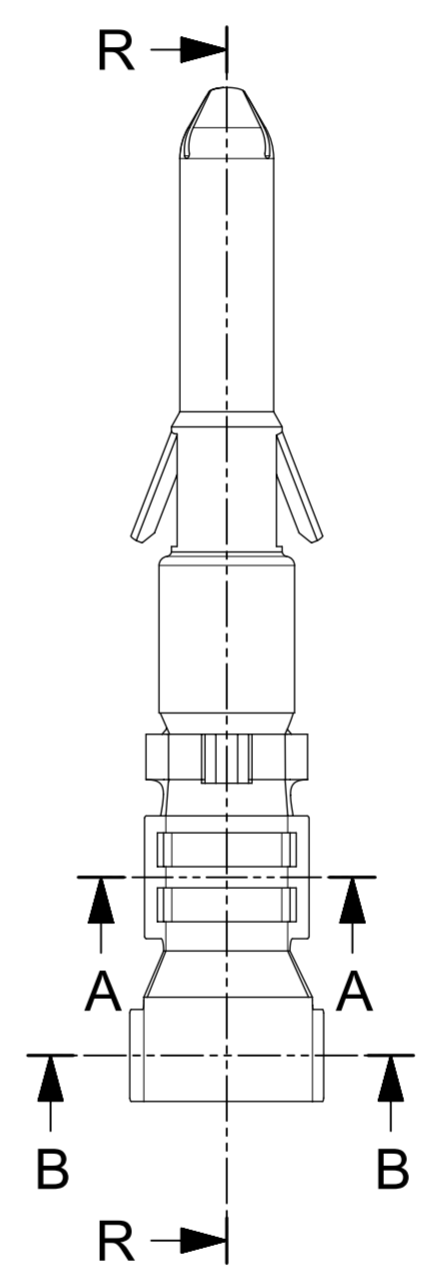
ISOMETRIC VIEW



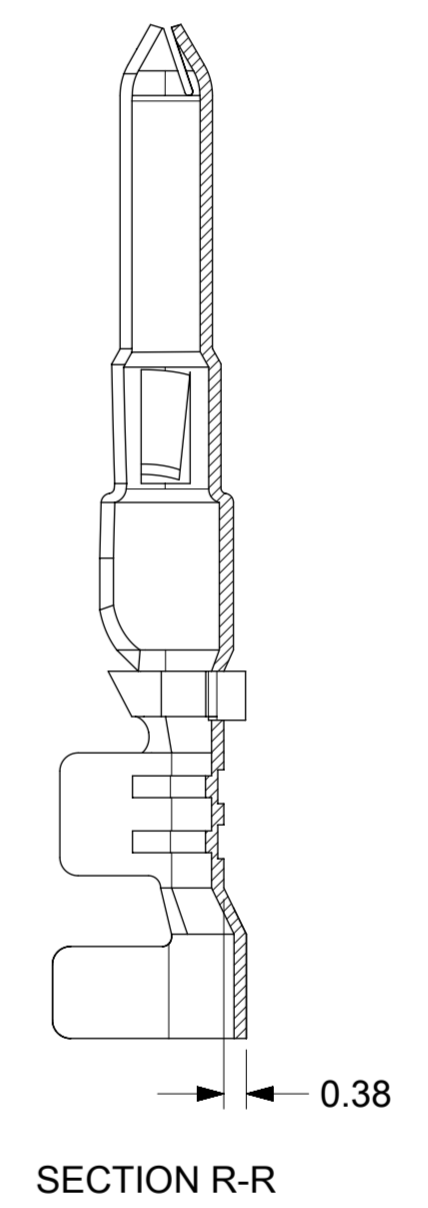
16-18 AWG TERMINAL



SECTION W-W



16 AWG TERMINAL

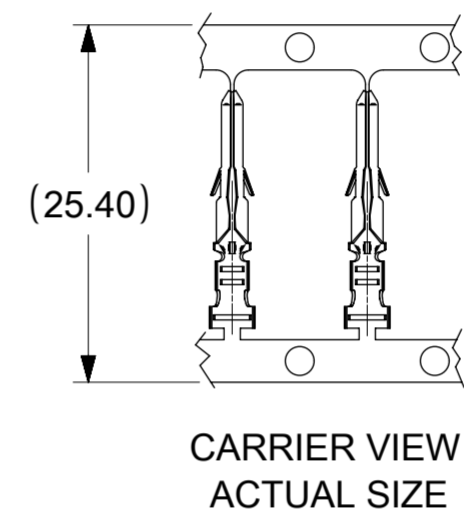
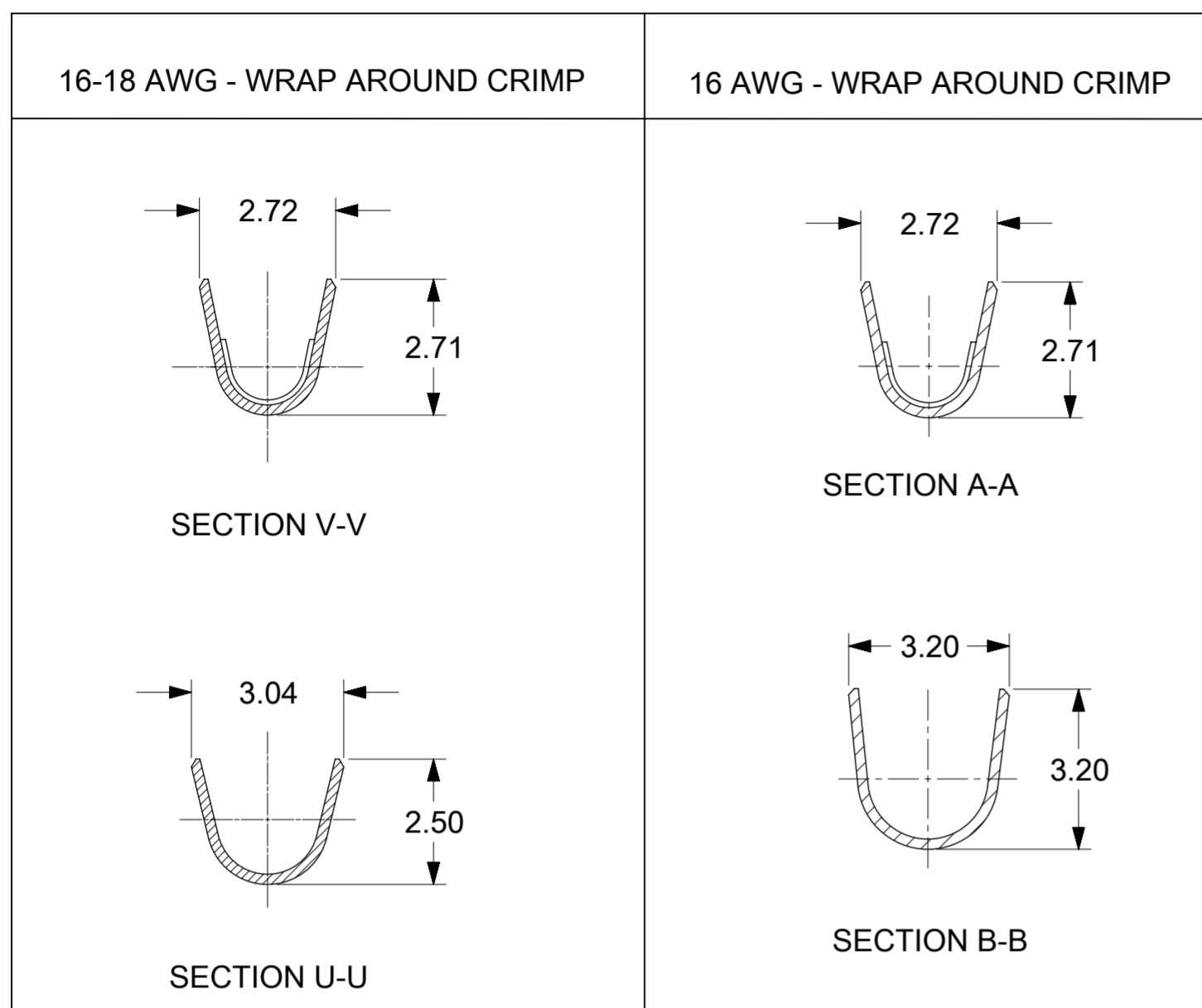


SECTION R-R

THIS DRAWING CONTAINS INFORMATION THAT IS PROPRIETARY TO MOLEX ELECTRONIC TECHNOLOGIES, LLC AND SHOULD NOT BE USED WITHOUT WRITTEN PERMISSION

ACTIVATED 1730410003 EC NO: 119911 DRWN: ISHWARG CHKD: KPRASAD REV APPR: 2017/07/28	GENERAL TOLERANCES (UNLESS SPECIFIED)		DIMENSION UNITS	SCALE	
	ANGULAR TOL ± 0.5 °		MM	8:1	
	4 PLACES ±	SS06	DRWN BY	DATE	
	3 PLACES ±		ISHWARG	2015/02/26	
2 PLACES ± 0.25		CHK'D BY	DATE	PRODUCT CUSTOMER DRAWING	
1 PLACE ± 0.35		APPR BY	DATE	SERIES	MATERIAL NUMBER
0 PLACES ±		RHODGE	2015/04/06	173041	SEE TABLE
DRAFT WHERE APPLICABLE MUST REMAIN WITHIN DIMENSIONS		DRAWING SIZE	THIRD ANGLE PROJECTION	CUSTOMER	
D1	A2			DOCUMENT NUMBER	DOC TYPE
				SD-173041-0001	PSD
				DOC PART	SHEET NUMBER
				000	1 OF 2

CONDUCTOR & INSULATOR CRIMP DIMENSIONS



NOTES:

1. MATERIAL: TIN BRASS
2. FINISHES:
HOT TIN DIP (60μ inches MIN).
3. PRODUCT SPECIFICATION: 1728770001-PS
4. PACKAGING SPECIFICATION: PK-173041-0001
5. TERMINAL FOR USE WITH PLUG HOUSING SERIES 172877
6. THIS PARTS TO CONFIRM TO CLASS 'B' REQUIRMENTS OF COSMETIC SPECIFICATION PS-45499-002.

TABLE:

PART NUMBER	SHEET THICKNESS	CRIMP SIZE	WIRE STYLE	INSULATION DIAMETER (MEAN)	REMARKS
173041-0001	0.203	16 AWG	UL 1061	Ø1.98	ACTIVE
		18 AWG	UL 1007	Ø2.03	ACTIVE
		18 AWG	UL 1095	Ø1.90	ACTIVE
173041-0003	0.203	16 AWG	UL 1007	Ø2.39	ACTIVE

THIS DRAWING CONTAINS INFORMATION THAT IS PROPRIETARY TO MOLEX ELECTRONIC TECHNOLOGIES, LLC AND SHOULD NOT BE USED WITHOUT WRITTEN PERMISSION

ACTIVATED 1730410003 EC NO: 119911 DRWN: ISHWARG CHKD: KPRASAD REV: APPR: 2017/07/28	GENERAL TOLERANCES (UNLESS SPECIFIED) ANGULAR TOL ± 0.5 °	DIMENSION UNITS: MM SCALE: 8:1			
	DRWN BY: SS06 DATE: 2015/02/26	VALUSEAL MALE TERMINAL 16-18 & 20-22 AWG			
	4 PLACES ± 3 PLACES ± 2 PLACES ± 0.25 1 PLACE ± 0.35 0 PLACES ±	CHK'D BY: ISHWARG DATE: 2016/07/06	PRODUCT CUSTOMER DRAWING		
	DRAFT WHERE APPLICABLE MUST REMAIN WITHIN DIMENSIONS	APPR BY: RHODGE DATE: 2015/04/06	DRAWING SIZE: A2 THIRD ANGLE PROJECTION	SERIES: 173041 MATERIAL NUMBER: SEE TABLE CUSTOMER: GENERAL MARKET	DOCUMENT NUMBER: SD-173041-0001 DOC TYPE: PSD DOC PART: 000 SHEET NUMBER: 2 OF 2