

NOTES:

1. MATERIALS AND FINISHES(IN MICRO-INCHES):

- BODY = ZINC ALLOY DIECAST, MATTE TIN PLATED
- CONTACT = BERYLLIUM COPPER, GOLD PLATED
- CAP = BRASS, NICKEL PLATING
- INSULATOR = PTFE, COLOR: NATURAL
- O-RING = HYDROGENATED NITRILE , COLOR: GREEN (CAP)
- O-RING = SILICNE RUBBER , COLOR: RED (INTERFACE)
- HOUSING = PPE+PS, UNFILLED, COLOR & KEYING PER AMPHENOL SPEC. FAKRA-KEY-JACK (REFER TO TABLE BELOW FOR KEY CODE)
- FERRULE = COPPER, NICKEL PLATED
- HST = POLYOLEFIN, ADHESIVE-LINED

2. ELECTRICAL:

- A. IMPEDANCE: 50 OHM (NOMINAL)
- B. FREQUENCY RANGE: DC - 3.0 GHz
- C. VSWR(RETURN LOSS): 1.200 (-20.8 dB), MAX.(DC-200 MHz) (MATED PAIR)
1.400 (-15.6 dB), MAX.(200 MHz-2.0 GHz)
1.500 (-13.9 dB), MAX.(2.0-3.0 GHz)
- D. D.W.V.: 800 VRMS, MIN.

3. MECHANICAL:

- A. DURABILITY: 100 CYCLES MIN.
- B. TEMPERATURE RANGE: -40° C TO 85° C
- C. ENVIRONMENTAL SEAL: IP67 (WHEN MATED)

4. PACKAGING:

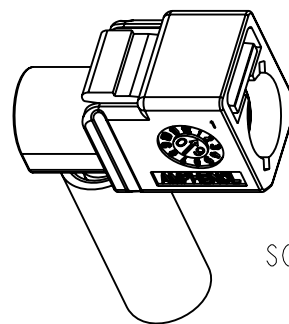
- A. QUANTITY: TRAY PACK
- B. MARKING: TRAY TO BE MARKED "AMPHENOL RF, 3FAIENXRJ-COIER (PER TABLE), AND DATE CODE"

5. CRIMPED FERRULE HEX CRIMP SIZE .128" CONTACT PIN TO SOLDER

6. ALL DIMENSIONS MECHANICAL & ELECTRICAL DESIGN COMPLY WITH DIN 72594-1 AND USCAR-18 SPEC.

7. CABLE ASSEMBLY INSTRUCTIONS PER 349-50883

CODING	DRAWING NO.	COLOR	RAL NO.
A	3FAIENARJ-COIER	JET BLACK	9005
B	3FAIENBRJ-COIER	CREAM WHITE	9001
C	3FAIENCRJ-COIER	SIGNAL BLUE	5005
D	3FAIENDRJ-COIER	CLARET VIOLET	4004
E	3FAIENERJ-COIER	LEAF GREEN	6002
F	3FAIENFRJ-COIER	NUT BROWN	8011
G	3FAIENGRJ-COIER	BLUE GREY	7031
H	3FAIENHRJ-COIER	HEATHER VIOLET	4003
I	3FAIENIRJ-COIER	BEIGE	1001
K	3FAIENKRJ-COIER	CURRY	1027
L	3FAIENLRJ-COIER	CARMINE RED	3002
M	3FAIENMRJ-COIER	PASTEL ORANGE	2003
N	3FAIENNRJ-COIER	PASTEL GREEN	6019
Z	3FAIENZRJ-COIER	WATER BLUE	5021



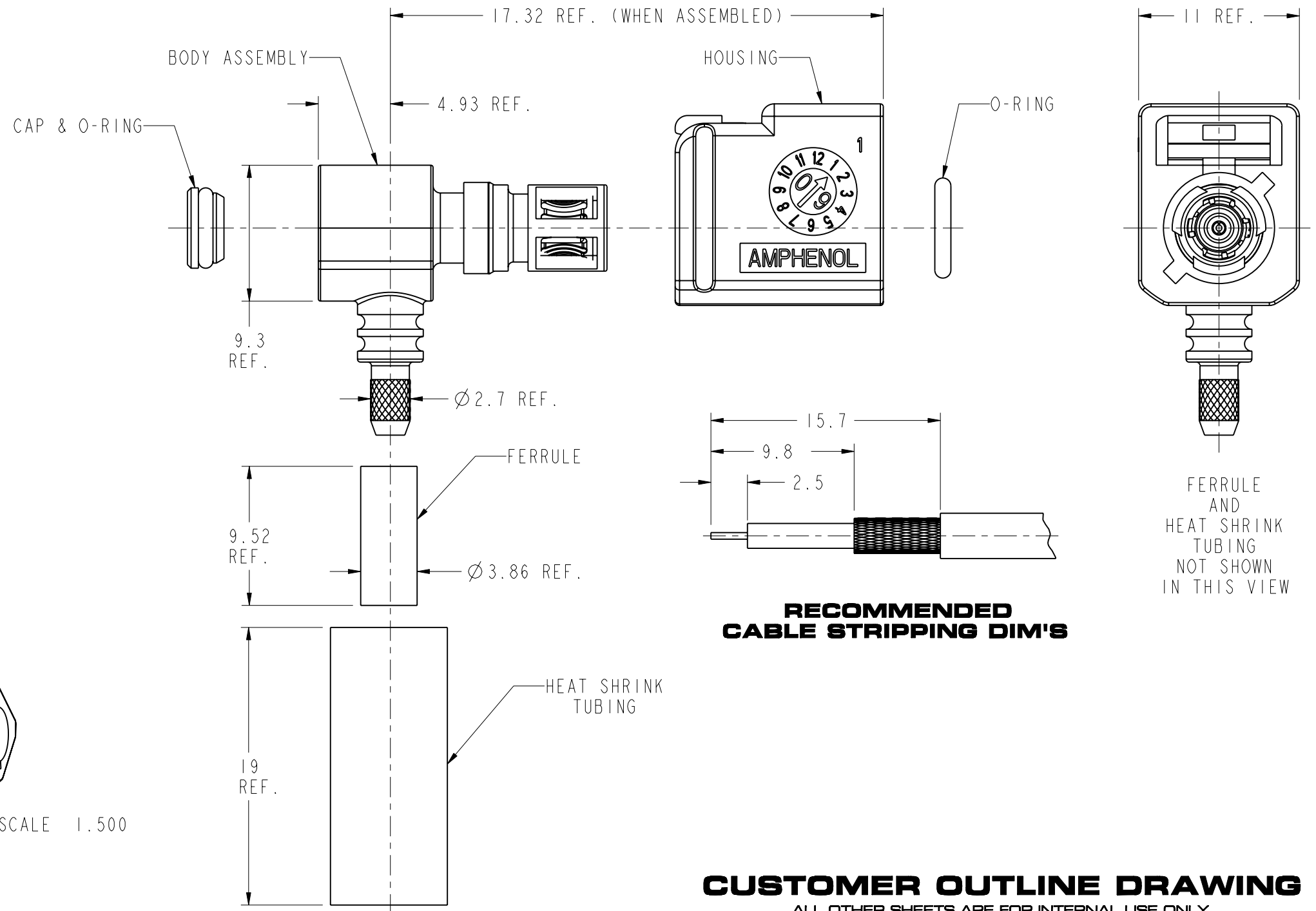
SCALE 1.500

THIRD ANGLE PROJ.

REVISIONS

REV	DESCRIPTION	DATE	ECO	APPR
A	RELEASE TO MFG	12/19/16	3122	RD

CONFIGURATION CONTROL:
NO CHANGES PERMITTED TO DRAWING WITHOUT PPAP QUALIFIED CUSTOMER APPROVAL



UNLESS OTHERWISE SPECIFIED, DIMENSIONS ARE IN METRIC AND TOLERANCES ARE:
 <0.5mm ±0.05mm 0.5 - 6mm ±0.1mm 6 - 30mm ±0.2mm 30 - 120mm ±0.3mm ANGLES ±1°

NOTICE - These drawings, specifications, or other data (1) are, and remain the property of Amphenol corp. (2) must be returned upon request; and (3) are confidential and not to be disclosed to any person other than those to whom they are given by Amphenol Corp. the furnishing of these drawings, specifications, or other data by Amphenol Corp., or to any other person to anyone for any purpose is not to be regarded by implication or otherwise in any manner licensing, granting rights to permitting such holder or any other person to manufacture, use or sell any product, process or design, patented or otherwise, that may in any way be related to or disclosed by said drawings, specifications, or other data.

MATERIAL	DRAWN E WANKOFF	DATE 10/4/16	TITLE FAKRA R/A JACK, GEN 3.5, CABLE GROUP C01, IP67 SEALED	<p style="text-align: center;">Amphenol RF</p> Danbury CT USA, Tainan, Taiwan, Shenzhen, China www.amphenolrf.com
REFERENCE EAR # 6049 AND	ENGINEER E WANKOFF	DATE 10/4/16	SCALE: 3.0:1.0 SHEET 2 OF 2	
CONFIGURATION LEVEL:	APPROVED S.HSIEH	DATE 21-Mar-17	DWG SIZE B	
FINISH	CAD FILE		REV A	
				DRAWING NO. 3FAIENXRJ-COIER
				ITEM NO. 3FAIENXRJ-COIER
				PART NO. 3FAIENXRJ-COIER