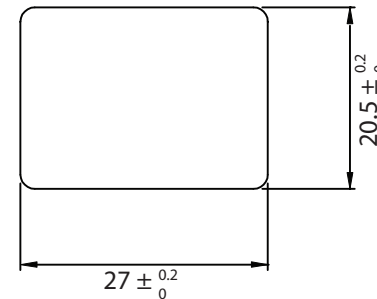
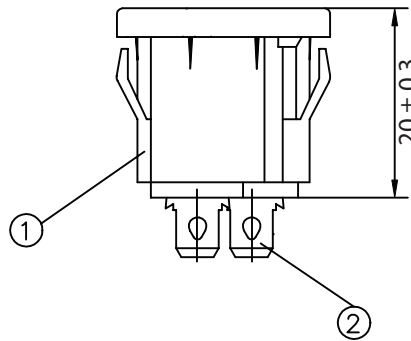
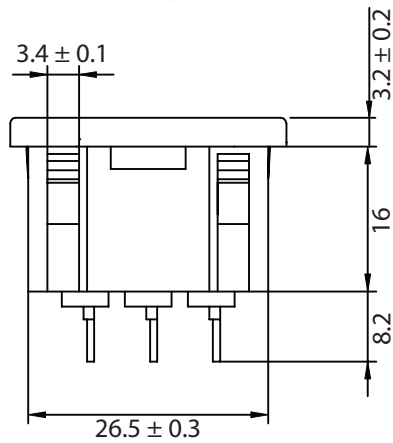
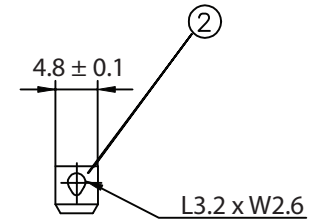
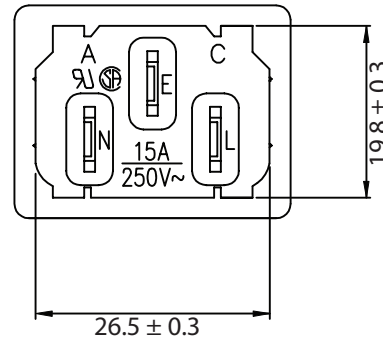
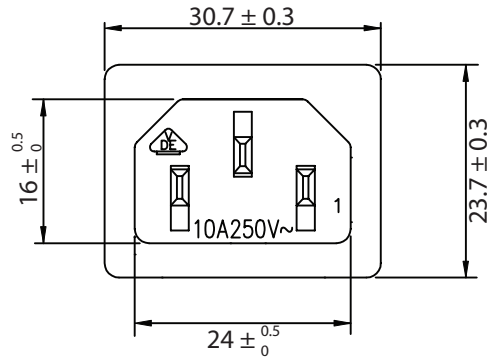


THESE DRAWINGS ARE THE PROPERTY OF QUALTEK ELECTRONICS AND NOT TO BE REPRODUCED FOR OR COMMUNICATED TO A THIRD PARTY WITHOUT THE EXPRESS WRITTEN PERMISSION OF AN OFFICER OF QUALTEK ELECTRONICS.

REVISION			
REV.	DESCRIPTION	DATE	APPROVED
B	RoHS Compliancy	06-01-06	DP
C	Updated Dimensions	06-30-08	DP



PANEL CUTOUT THICKNESS FOR PLASTIC PANEL 0.8mm~1.5mm
 PANEL CUTOUT THICKNESS FOR STEEL PANEL 0.8mm~2.0mm

CONTROLLED

NOTES:

MATERIAL:

HOUSING: THERMOPLASTIC

TERMINAL: COPPER ALLOY

RATING:

UL, CSA: 15A 250V AC

VDE: 10A 250V AC

INSULATION RESISTANCE: OVER 100 OHM 500V DC

DIELECTRIC RESISTANCE: 2000V AC ONE MINUTE

APPROVALS: UL, CSA, VDE

RoHS COMPLIANT

2	Terminal Set COPPER ALLOY Tin-Plated	3		
1	Housing SNAP-IN TYPE	1		
		Qualtek Electronics Corp. PPC DIVISION		
Dim range (mm)		Part Number: 701W-X2/03 RoHS Compliant		
Tolerance +/- (mm)		Description: AC RECEPTACLE		
0-1	0.15	UNIT: mm		
1-6	0.20			
6-18	0.30	REV. C		
18-50	0.50			
50-120	0.70	Drawn / Date	Checked / Date	Approved / Date
120-250	0.90	B.Zhang	05-24-05	JJH / 05-24-05
250-500	1.20	05-24-05		