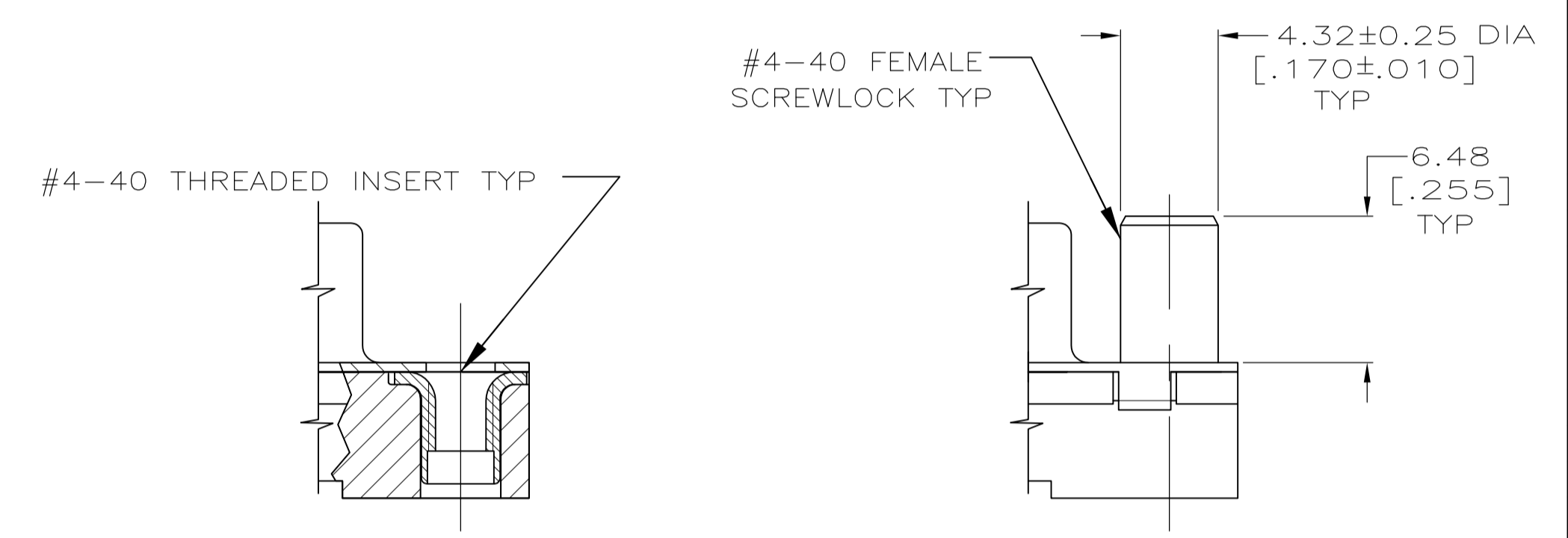
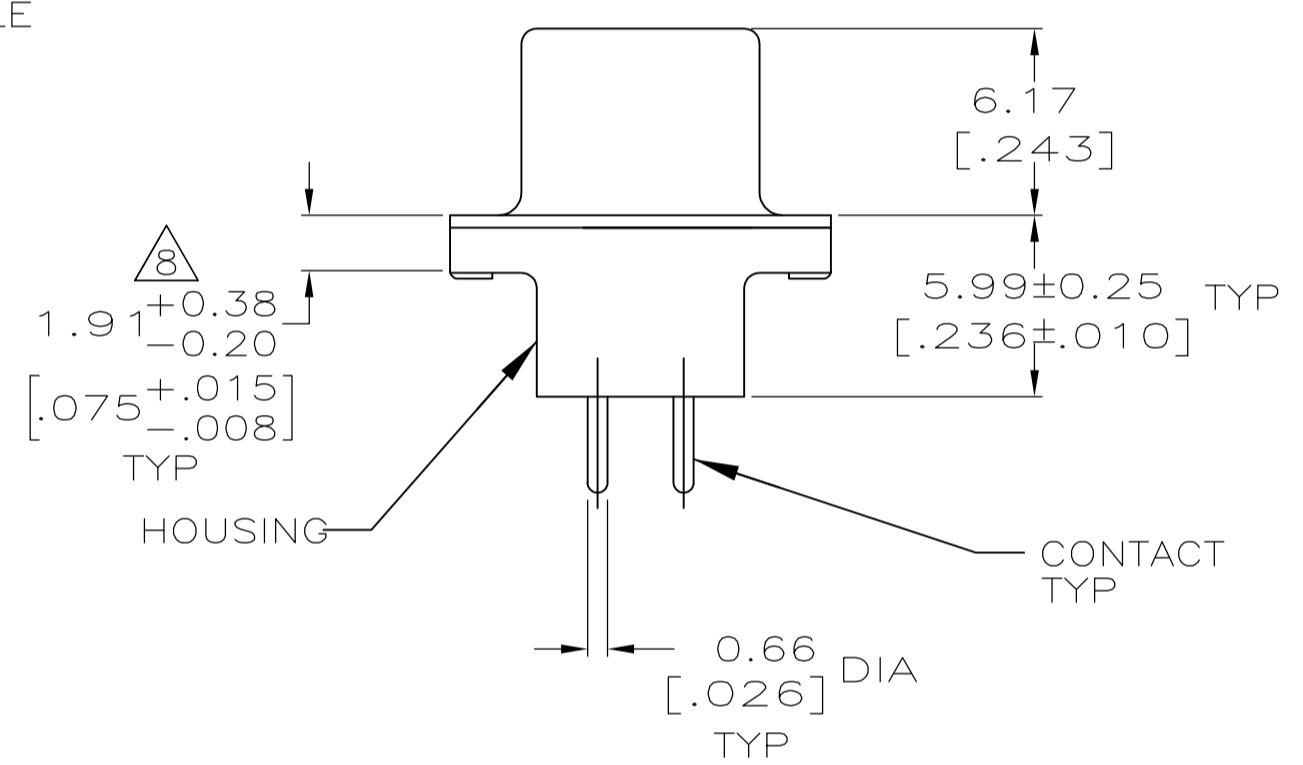
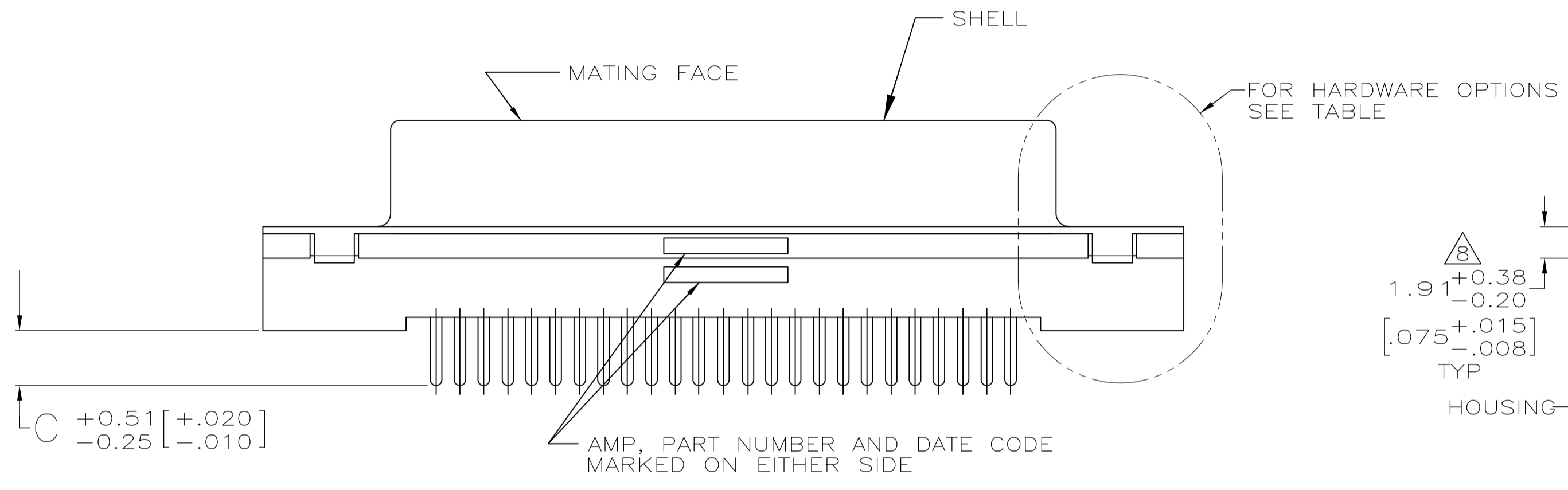
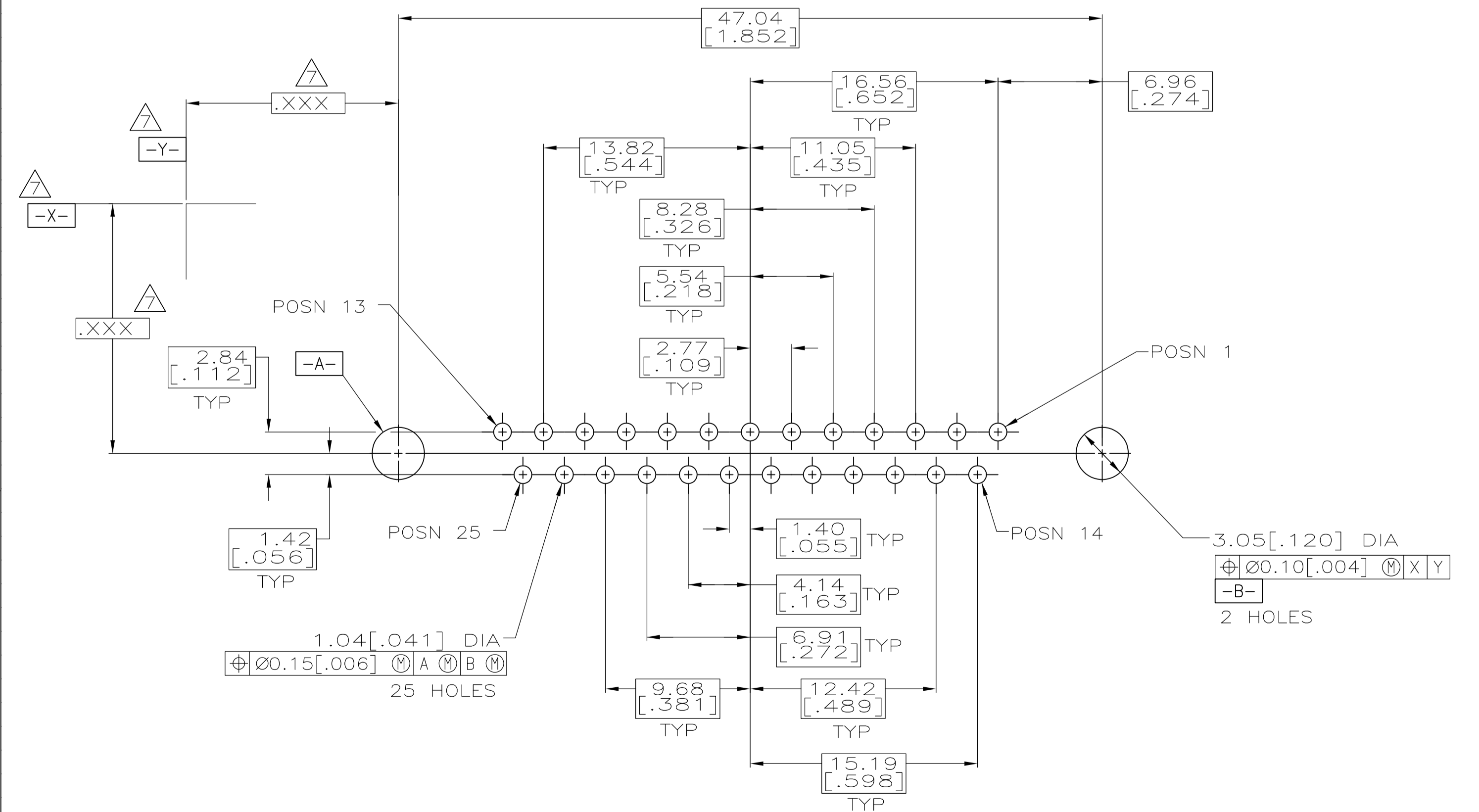


- △ HOUSING; POLYESTER, UL 94V-0 RATED, BLACK.
- △ SHELL; CARBON STEEL.
- △ SHELL; 5.08um [.000200] MIN TIN OVER 2.54um [.000100] MIN COPPER.
- △ GOLD FLASH FOR A LENGTH OF 2.54[.100] MIN FROM MATING END, 2.54um [.000100] MIN TIN OR TIN-LEAD ON OPPOSITE END, BOTH OVER 1.27um [.000050] MIN NICKEL.
- △ 0.76um [.000030] MIN GOLD FOR A LENGTH OF 2.54 [.100] MIN FROM MATING END, 2.54um [.000100] MIN TIN OR TIN-LEAD ON OPPOSITE END, BOTH OVER 1.27um [.000050] MIN NICKEL.
- 6. NOTE DELETED.
- △ DATUMS AND BASIC DIMENSIONS ESTABLISHED BY CUSTOMER.
- △ 2.79[.110] MAX IN SHELL TAB CLINCH AREAS.
- △ OBSOLETE PART NUMBER.
- △ 10 SUPERSEDED BY 745967-2.
- △ 11 SUPERSEDED BY 745967-4.
- △ 12 SUPERSEDED BY 1-745967-4.
- △ 13 SUPERSEDED BY 745967-7.
- △ 14 CONTACTS: POSPHOR BRONZE.
- △ 15 SCREWLOCKS: ZINC.
- △ 16 INSERTS: BRASS.



DETAIL D

DETAIL E



RECOMMENDED PC BOARD MOUNTING DIMENSIONS

W/THEADED INSERTS PER DETAIL D	△ 5	1.27 [.050]	△ 9 1-745967-9
W/FEMALE SCREWLOCKS PER DETAIL E	△ 5	4.32 [.170]	△ 9 1-745967-6
	△ 4	4.32 [.170]	△ 9 1-745967-5
	△ 5	3.18 [.125]	1-745967-4
W/THEADED INSERTS PER DETAIL D	△ 4	3.18 [.125]	1-745967-3
	△ 4	6.35 [.250]	△ 9 1-745967-1
	△ 5	4.32 [.170]	1-745967-0
	△ 4	3.18 [.125]	745967-9
W/O FEMALE SCREWLOCKS OR THEADED INSERTS AS SHOWN	△ 4	3.18 [.125]	745967-8
	△ 5	4.32 [.170]	745967-7
	△ 5	6.35 [.250]	△ 9 745967-6
	△ 5	4.32 [.170]	745967-4
HARDWARE OPTIONS	CONTACTS		△ 4 745967-3
	FINISH	△ 5	745967-2
		△ 4	745967-1
	C		PART NO

THIS DRAWING IS A CONTROLLED DOCUMENT. **STE** TE Connectivity

DIMENSIONS: mm [INCHES]	TOLERANCES UNLESS OTHERWISE SPECIFIED:	DIN D BROCKWAY 3-22-93	APVD R STONE 5-10-93
0 PLC ± -	1 PLC ± -	PRODUCT SPEC 108-40025	NAME
2 PLC ± .013 [.005]	3 PLC ± -	APPLICATION SPEC 114-40023	SIZE
4 PLC ± -	ANGLES ± -	WEIGHT	SCALE 4:1
MATERIAL	FINISH	CUSTOMER DRAWING	SHEET 1 OF 1

RECEPTACLE ASSY, SIZE 3, 25 POSITION FRONT METAL SHELL, WITH OR WITHOUT SCREWLOCKS OR INSERTS.

00779C=745967