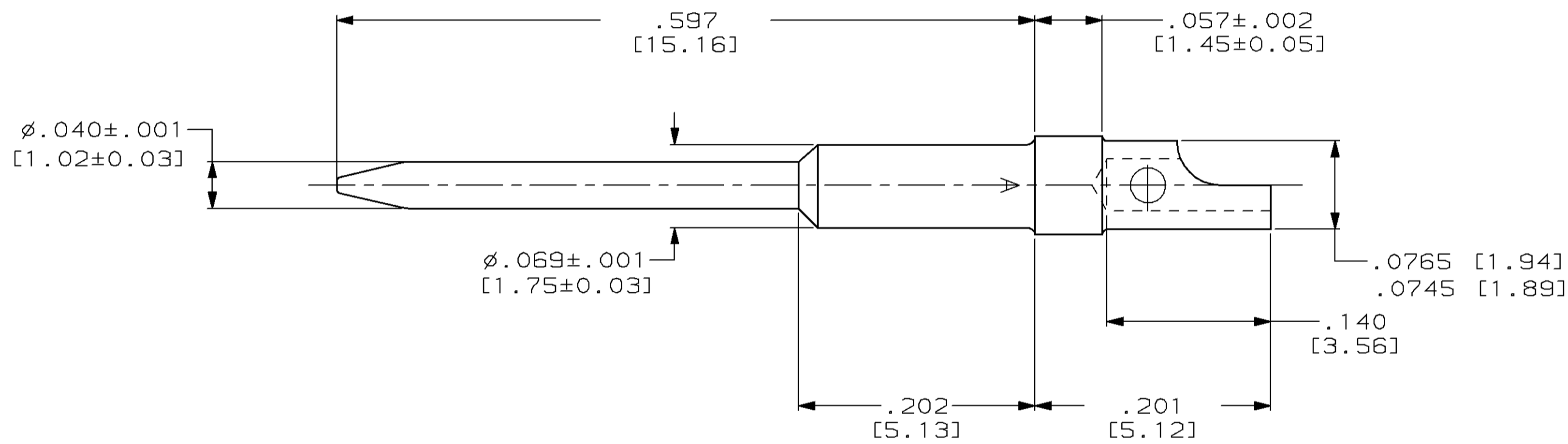
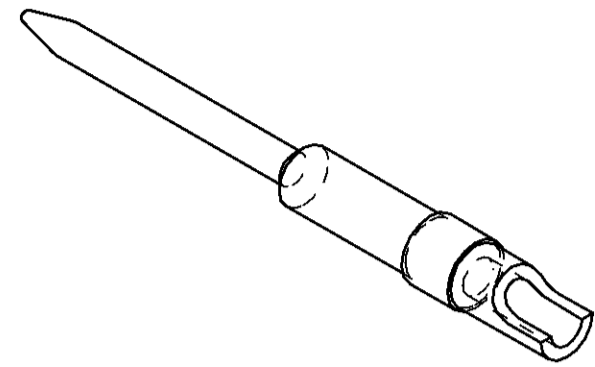


THIS DRAWING IS UNPUBLISHED. RELEASED FOR PUBLICATION  
 BY AMP INCORPORATED. ALL RIGHTS RESERVED.

LOC	DIST	REVISIONS					
DF	AO	P	LTR	DESCRIPTION	DATE	DWN	APVD
		0		RELEASED PER 0600-7517-98	5-98	CT	SG
		A		REV PER 0600-7711-98 JB	10-98	JB	SG



- 1 MATERIAL: COPPER ALLOY PER MIL-C-39029.
- 2 FINISH: PLATED GOLD .000050 [0.00127] MIN THK PER MIL-G-45204 OVER NICKEL .000050 [0.00127] MIN THK PER QQ-N-290.

1218240-2  
 PART NO.

THIS DRAWING IS A CONTROLLED DOCUMENT.		DWN C.C. THOMAS 5-14-98	AMP Incorporated Harrisburg, PA 17105-3608	
DIMENSIONS: INCHES [mm]		CHK S. GLATFELTER 6-3-98	NAME CONTACT, SIZE 20, SOLDER CUP, FRONT RELEASE, ARINC 600	
TOLERANCES UNLESS OTHERWISE SPECIFIED:		APVD S. GLATFELTER 6-3-98	RESTRICTED TO	
0 PLC ±- 1 PLC ±- 2 PLC ±- 3 PLC ±.005 [0.13] 4 PLC ±.0015 [0.038] ANGLES ±-		PRODUCT SPEC -	SIZE A2	CAGE CODE 00779
MATERIAL 1		APPLICATION SPEC -	DRAWING NO C=1218240	SCALE 10:1
FINISH 2		WEIGHT -	SHEET 1	OF 1
CUSTOMER DRAWING		REV A		