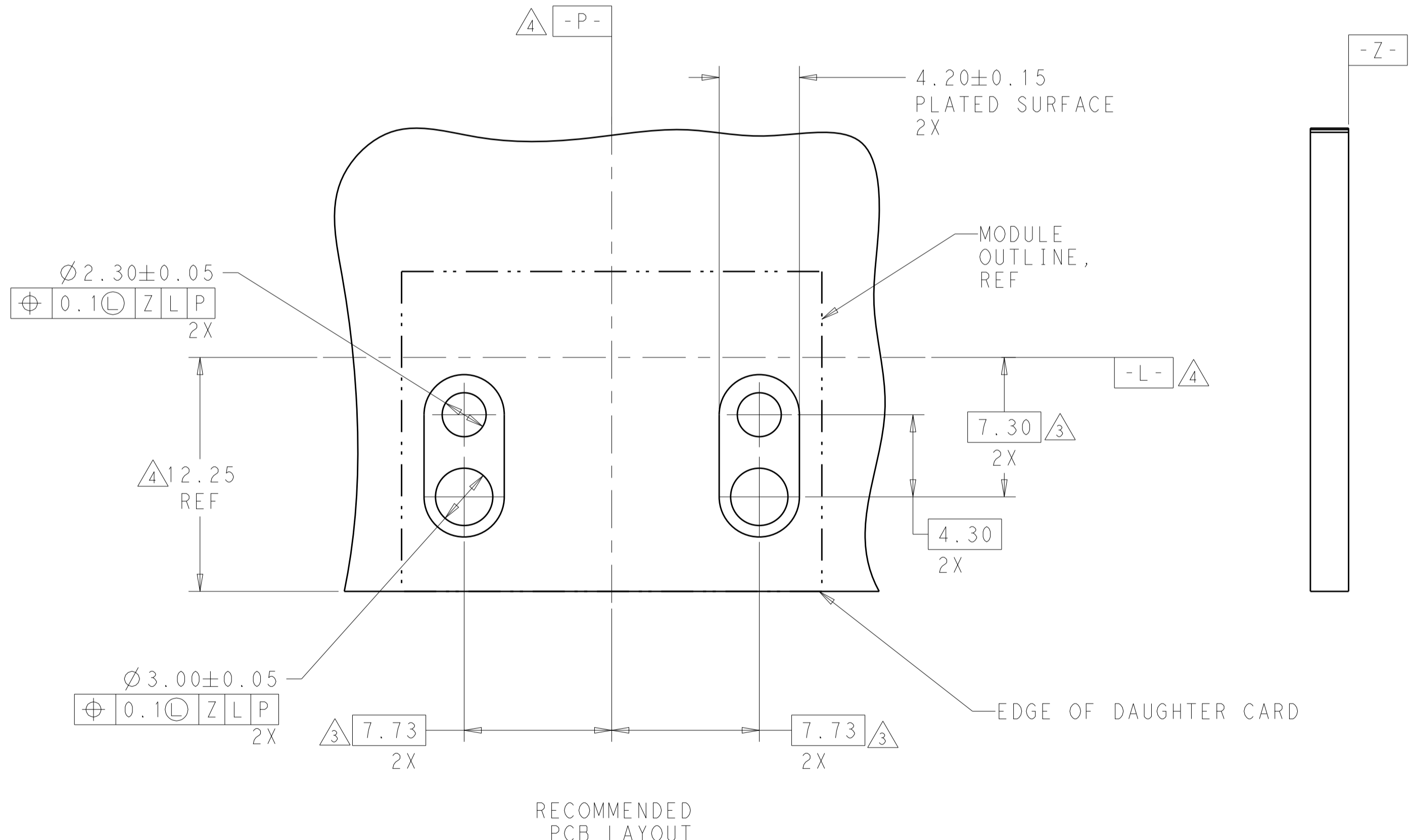
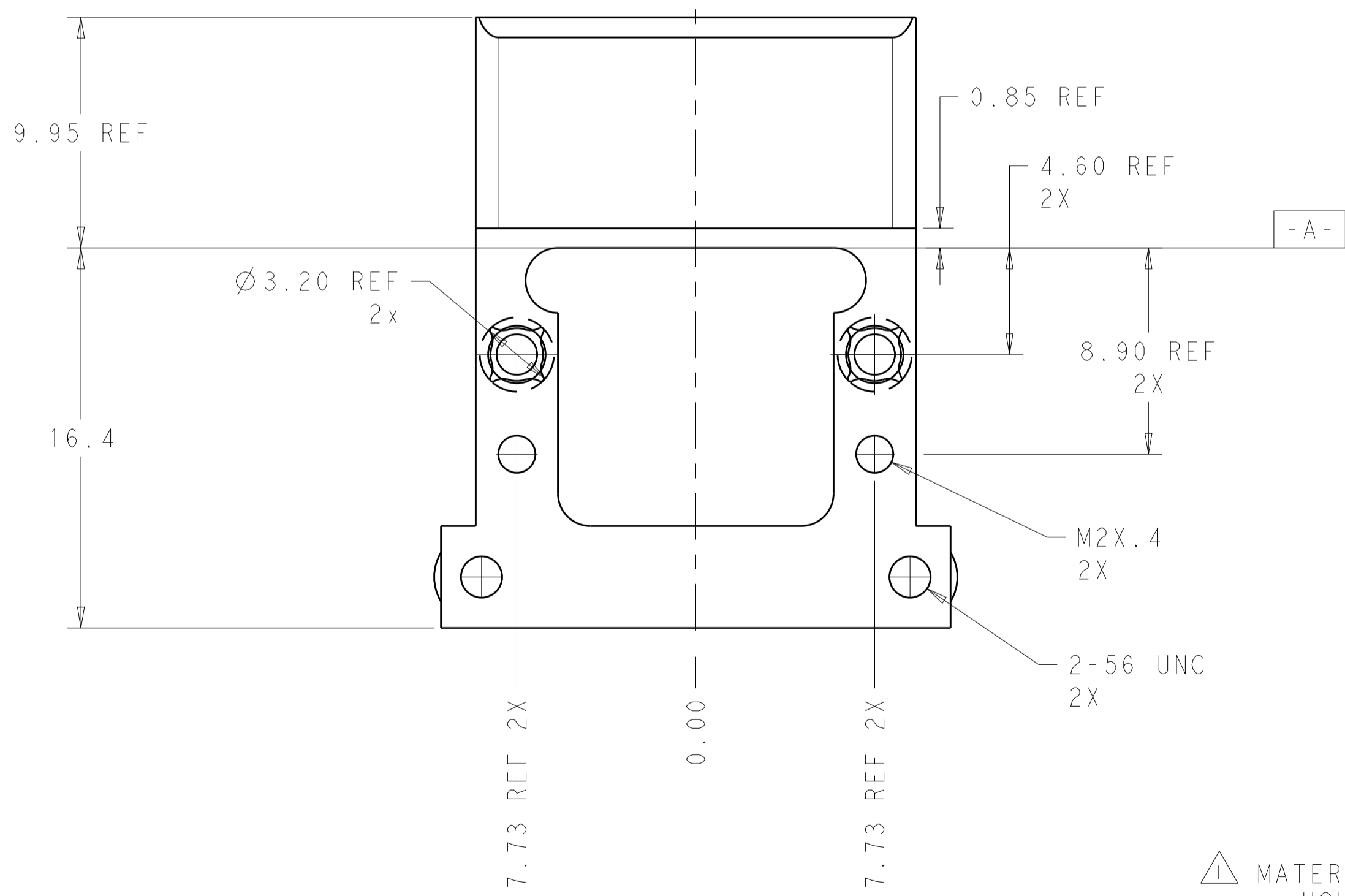
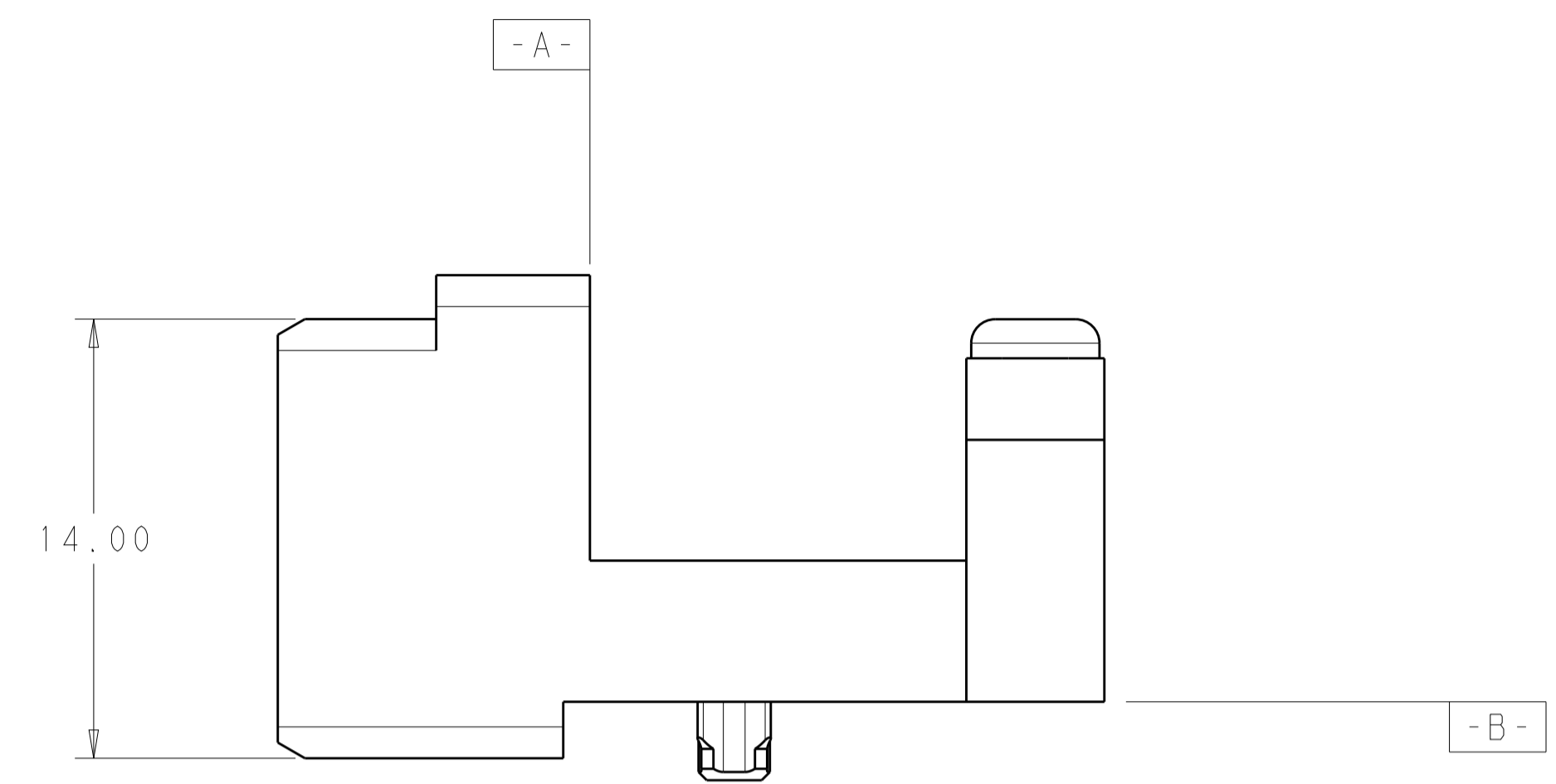
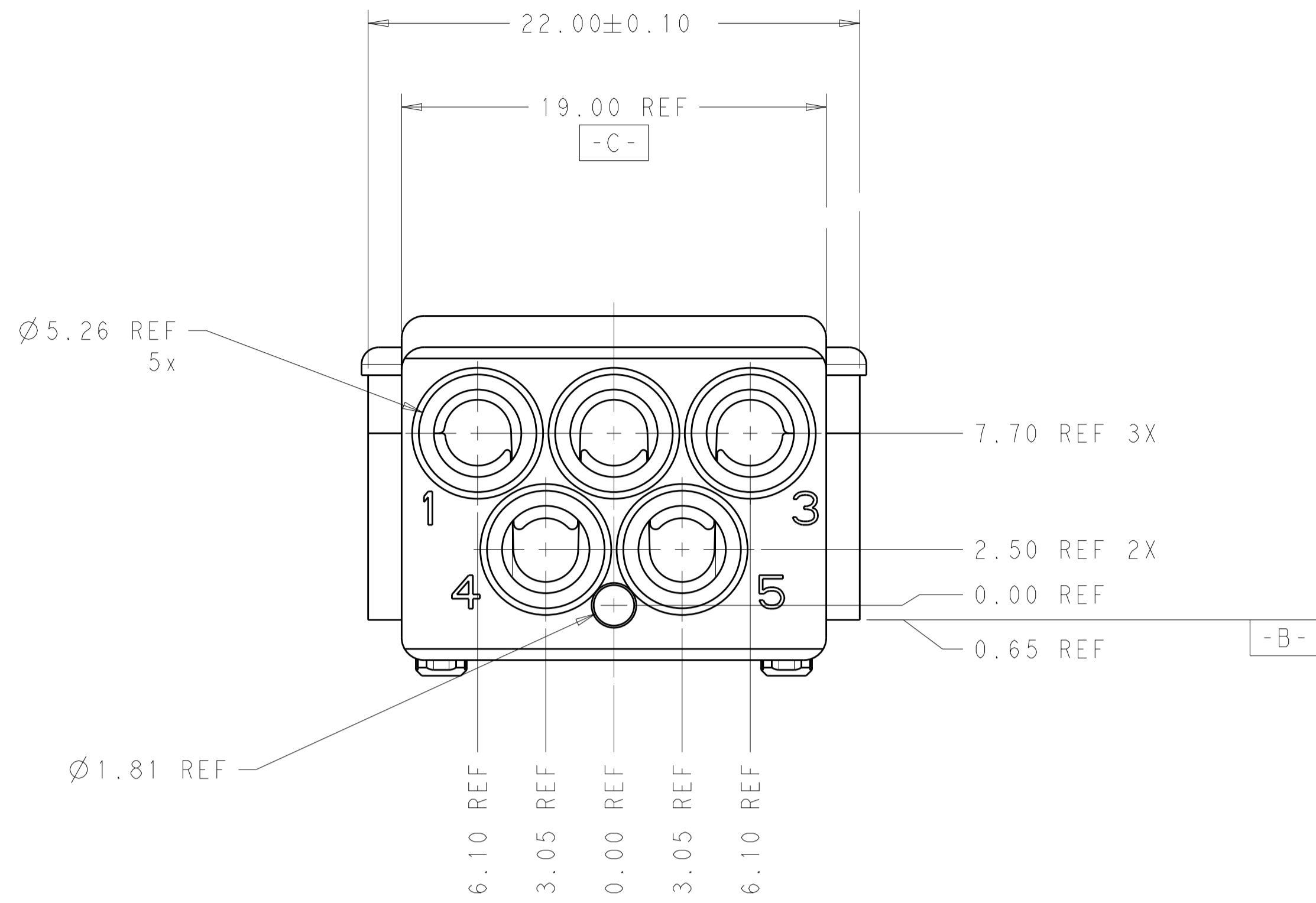


LOC		DIST		REVISIONS			
				REV	DATE	BY	APPV
		A		RELEASED PER ECO 15-001012	1-27-15	CT	DH



- △ MATERIAL:
HOUSING: ALUMINUM
SCREW: STAINLESS STEEL
- △ FINISH:
HOUSING: CHROMATE CONVERSION PER TE 112-151-4
EXCEPT MIL-C-5541 CLASS 3, TYPE II REQUIRED
SCREW: PASSIVATED
- △ DIMENSION APPLIES TO CENTERLINE OF THRU HOLE
- △ SEE PRINT 2102427-1 FOR DIMENSIONS
- 5. KIT PROVIDED UNASSEMBLED

2226511-1
PART NUMBER

THIS DRAWING IS A CONTROLLED DOCUMENT.		OWN: D. BELACK 08JUL2013	TE Connectivity
DIMENSIONS: mm		CHK: N. RUFFINI 09JAN2014	
TOLERANCES UNLESS OTHERWISE SPECIFIED:		APVD: K. THACKSTON 09JAN2014	NAME: SMPM, METAL SHELL LRU, RIGHT ANGLE HEADER, MODULE
0 PLC ±0.13	1 PLC ±0.08	PRODUCT SPEC: 108-2474	SIZE: A1
2 PLC ±0.08	3 PLC ±0.025	APPLICATION SPEC: 114-13251	CAGE CODE: 2226511
4 PLC ±0.025	ANGLES ±2°	WEIGHT: -	RESTRICTED TO: -
MATERIAL: 1	FINISH: 2	Customer Drawing	SCALE: 5:1 SHEET 1 OF 1 REV A